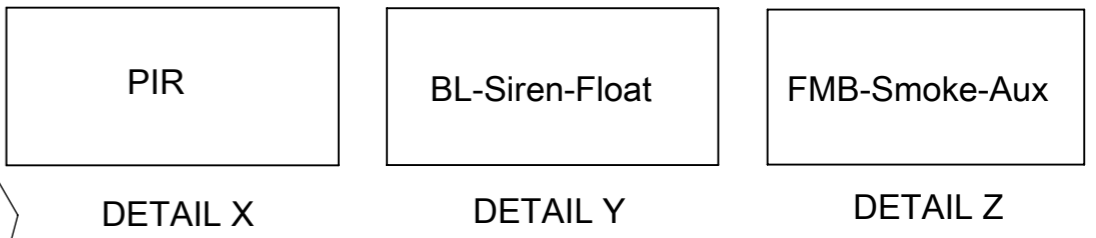
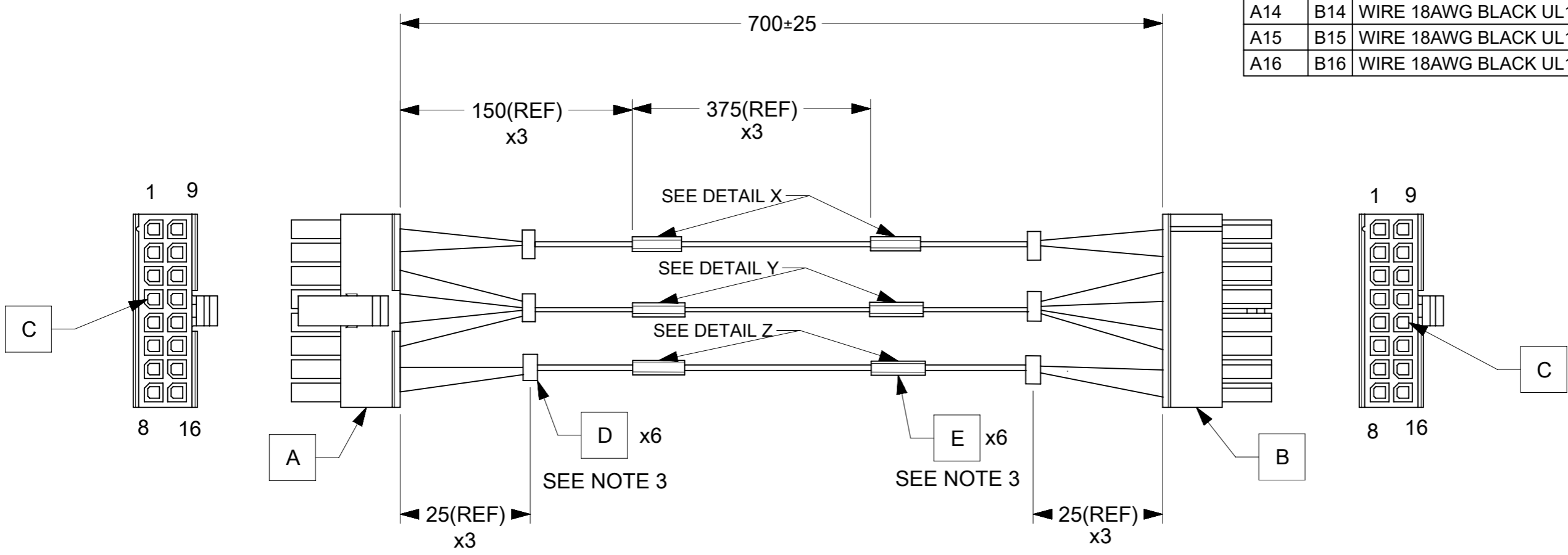


ITEM	PART#	DESCRIPTION	QTY	UOM
A,B	430251600	MicroFit 3.0 DR Rcpt 16Ckt	2	PC
C	430300038	MicroFit 3.0 F Crp Term Chn Tin 18	32	PC
D		CABLE TIE	6	PC
E		LABEL	6	PC

FROM	TO	DESCRIPTION	COLOR	BUNDLING DETAILS
A1	B1	WIRE 18AWG BLACK UL1061	BLACK	Y
A2	B2	WIRE 18AWG BLACK UL1061	BLACK	Z
A3	B3	WIRE 18AWG BLACK UL1061	BLACK	Z
A4	B4	WIRE 18AWG BLACK UL1061	BLACK	Z
A5	B5	WIRE 18AWG BLACK UL1061	BLACK	Z
A6	B6	WIRE 18AWG BLACK UL1061	BLACK	X
A7	B7	WIRE 18AWG BLACK UL1061	BLACK	Z
A8	B8	WIRE 18AWG BLACK UL1061	BLACK	Y
A9	B9	WIRE 18AWG BLACK UL1061	BLACK	Y
A10	B10	WIRE 18AWG BLACK UL1061	BLACK	Y
A11	B11	WIRE 18AWG BLACK UL1061	BLACK	Y
A12	B12	WIRE 18AWG BLACK UL1061	BLACK	X
A13	B13	WIRE 18AWG BLACK UL1061	BLACK	Z
A14	B14	WIRE 18AWG BLACK UL1061	BLACK	Z
A15	B15	WIRE 18AWG BLACK UL1061	BLACK	Y
A16	B16	WIRE 18AWG BLACK UL1061	BLACK	X



**NOTES**

- CABLE ASSEMBLY TO BE TESTED FOR 100% FOR CONTINUITY AND POLARITY
- CONNECTOR VIEW IS SHOWN FROM MATING SIDE.
- SEE WIRING CHART FOR PLACING LABELS AND TIES.  
WRAP THEM ON INDIVIDUAL BUNDLE.
- LABELS TO BE PLACED ON EACH INDIVIDUAL BUNDLES ON EITHER SIDE OF RECEPTACLE HOUSING.

FUNCTIONAL SYMBOLS		THIS DRAWING CONTAINS INFORMATION THAT IS PROPRIETARY TO MOLEX ELECTRONIC TECHNOLOGIES, LLC AND SHOULD NOT BE USED WITHOUT WRITTEN PERMISSION		<b>molex</b>	
△/A = 0	mm	NTS	CURRENT REV DESC:		
△/E = 0	GENERAL TOLERANCES (UNLESS SPECIFIED)		EC NO:	2022/11/29	
△/V = 0	ANGULAR TOL ± °		DRWN: PRAVES6	2022/07/06	
DIVISIONAL SYMBOLS		4 PLACES ±	CHK'D:	2022/07/19	
		3 PLACES ±	APPR:	2022/07/19	
		2 PLACES ±	INITIAL REVISION:	2022/07/06	
		1 PLACE ±	DRWN: PRAVES6	2022/07/06	
		0 PLACES ±	APPR: MNARAYAN01	2022/07/19	
DRAFT WHERE APPLICABLE MUST REMAIN WITHIN DIMENSIONS		THIRD ANGLE PROJECTION	DRAWING	SERIES	MATERIAL NUMBER
		⊕	A3-SIZE	217450	2174500020
					CUSTOMER
					DIGIKEY
					SHEET NUMBER
					1 OF 1

DOCUMENT STATUS	RELEASE DATE
-----------------	--------------