

△ TABLE 1

NOTES

- ① 材料及び仕上げ(めっき仕様) : TABLE 1参照
MATERIAL AND FINISHES : SEE TABLE 1
- ② 製品仕様書 : 511630000-PS 000
PRODUCT SPECIFICATION:511630000-PS 000
- ③ 嵌合相手 : 51163 シリーズ
MATES WITH:51163 SERIES
- ④ アプリケーション仕様書(コネクタ取扱い説明書) : 2166940000-AS PS 000
APPLICATION SPECIFICATION(CONNECTOR MANUAL) : 2166940000-AS PS 000
- ⑤ 偶数極に適合
APPLY FOR EVEN CIRCUIT
- ⑥ GLOW WIRE TEST適合品
THIS PRODUCT IS GLOW WIRE TEST COMPATIBLE.
- ⑦ ターミナルとネイルの平坦度は0.15mm以下
TERMINAL AND NAIL COPLANARITY : 0.15mm MAXIMUM.
- ⑧ 発注番号 ORDER NUMBER

215932 ** 7 *

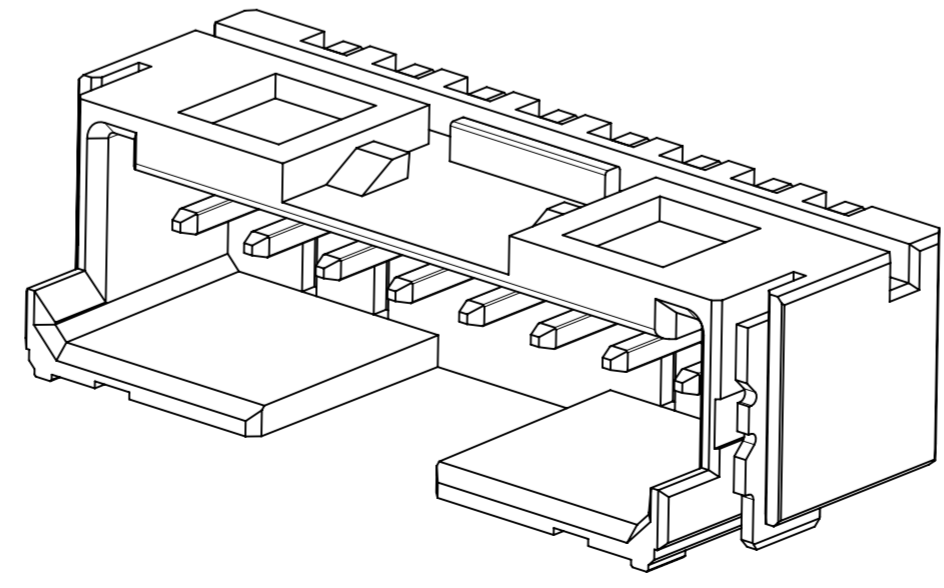
極数
CIRCUIT SIZE

番号 NO.	ハウジングカラー HOUSING COLOR
0	ナチュラル(ベージュ) NATURAL(BEIGE)
1	黒 BLACK

△ 製品一覧 PRODUCT LIST

				黒 BLACK	ナチュラル (ベージュ) NATURAL (BEIGE)	ハウジングカラー HOUSING COLOR
6	38.2	35	42.1	2159321571	2159321570	15
6	35.7	32.5	39.6	2159321471	2159321470	14
6	33.2	30	37.1	2159321371	2159321370	13
6	30.7	27.5	34.6	2159321271	2159321270	12
6	28.2	25	32.1	2159321171	2159321170	11
6	25.7	22.5	29.6	2159321071	2159321070	10
6	23.2	20	27.1	2159320971	2159320970	9
6	20.7	17.5	24.6	2159320871	2159320870	8
6	18.2	15	22.1	2159320771	2159320770	7
6	15.7	12.5	19.6	2159320671	2159320670	6
6	13.2	10	17.1	2159320571	2159320570	5
6	10.7	7.5	14.6	2159320471	2159320470	4
5	8.2	5	12.1	2159320371	2159320370	3
2.5	5.7	2.5	9.6	2159320271	2159320270	2
				オーダー番号 : ORDER NUMBER		極数 CIRCUIT SIZE
				梱包形態 : エンボス梱包 PACKAGING : EMBOSSED TAPE AND REEL		

番号 NO.	部品 PART	材質 MATERIAL
①	ハウジング HOUSING	ポリアミド(PA),ガラス充填,UL94 V-0,色 : SHEET 1参照 POLYAMIDE (PA),GLASS FILLED,UL94 V-0,COLOR:SEE SHEET 1
②	ターミナル TERMINAL	黄銅 BRASS 錫めっき : 1.0 MICROMETER MINIMUM MATTE TIN PLATING ニッケルめっき(下地めっき) : 1.0 MICROMETER MINIMUM NICKEL PLATING (UNDER PLATING)
③	ネイル NAIL	黄銅 BRASS 錫めっき : 1.0 MICROMETER MINIMUM MATTE TIN PLATING ニッケルめっき(下地めっき) : 1.0 MICROMETER MINIMUM NICKEL PLATING (UNDER PLATING)



THIS DRAWING CONTAINS INFORMATION THAT IS PROPRIETARY TO MOLEX ELECTRONIC TECHNOLOGIES, LLC AND SHOULD NOT BE USED WITHOUT WRITTEN PERMISSION

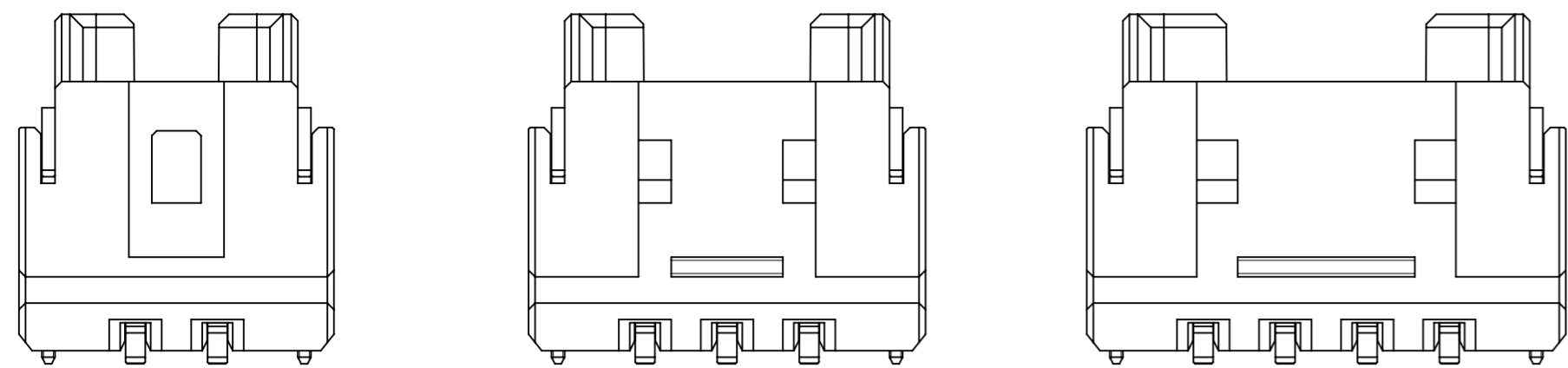
DIMENSION UNITS	SCALE	CURRENT REV DESC:	
mm	NTS		
GENERAL TOLERANCES (UNLESS SPECIFIED)		EC NO: 755760	
ANGULAR TOL ± 3.0°		4 PLACES ± 0.2	DRWN: RWATANABE01 2023/07/05
4 PLACES ± 0.2		3 PLACES ± 0.2	CHK'D: AIDA 2023/07/06
2 PLACES ± 0.2		1 PLACE ± 0.2	APPR: SAKIYAMA 2023/07/06
1 PLACE ± 0.2		0 PLACES ± 0.2	INITIAL REVISION: DRWN: RWATANABE01 2021/11/11 APPR: SAKIYAMA 2022/04/01
DRAFT WHERE APPLICABLE MUST REMAIN WITHIN DIMENSIONS		THIRD ANGLE PROJECTION	DRAWING SERIES MATERIAL NUMBER CUSTOMER SHEET NUMBER
		A2-SIZE	215932 SEE SHEET1 GENERAL 1 OF 3

molex

MINI-LOCK 2.5
SINGLE ROW HEADER ASSEMBLY SMT RA

PRODUCT CUSTOMER DRAWING

DOCUMENT NUMBER: 2159320000-SD DOC TYPE: PSD DOC PART: 000 REVISION: B

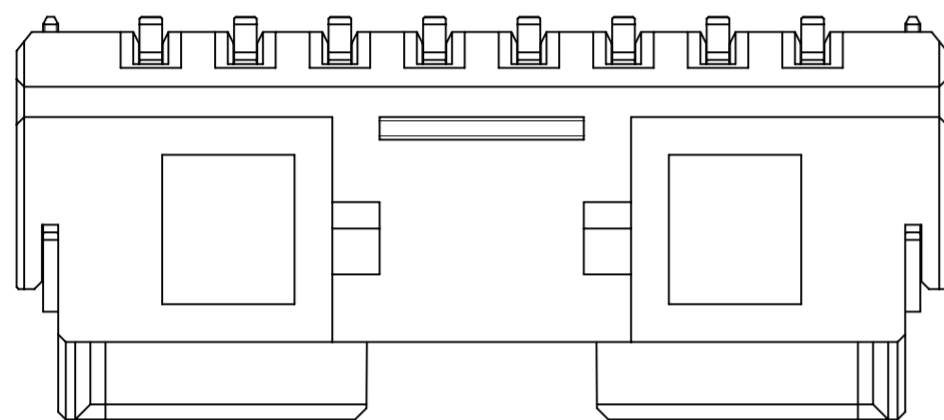


2CIRCUIT

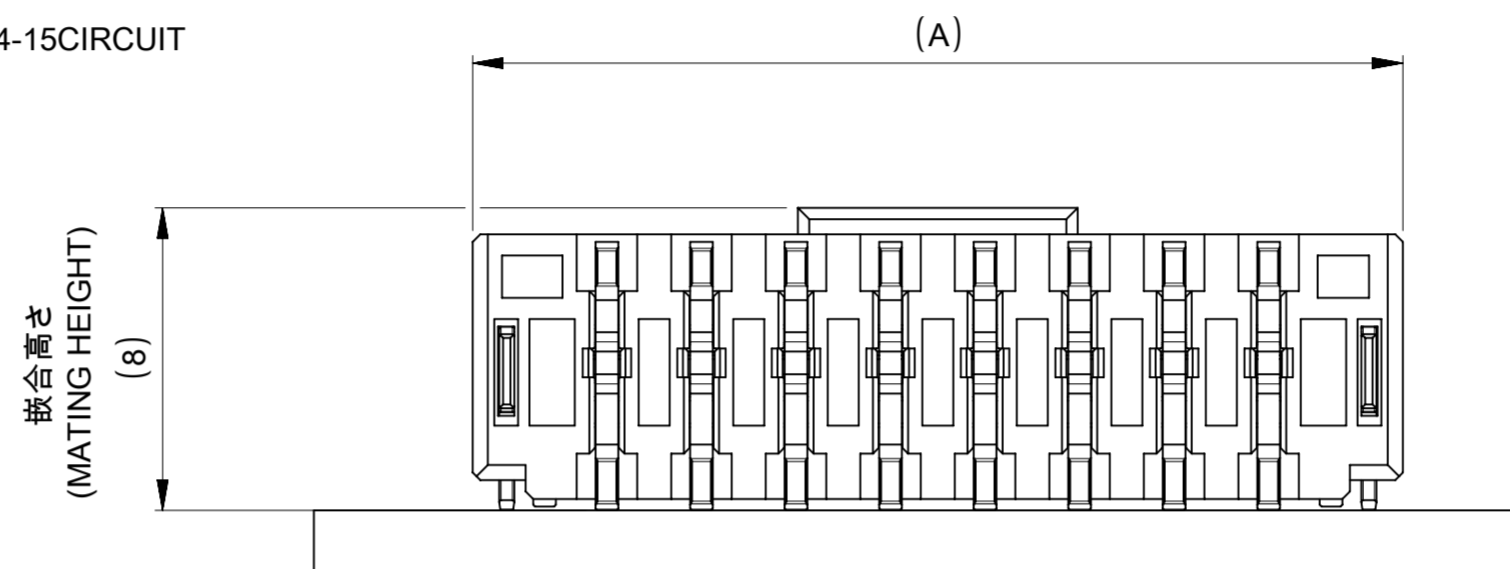
3CIRCUIT

4-15CIRCUIT

ロック形状図
LOCK CONFIGURATION



製品レイアウト
PRODUCT LAYOUT

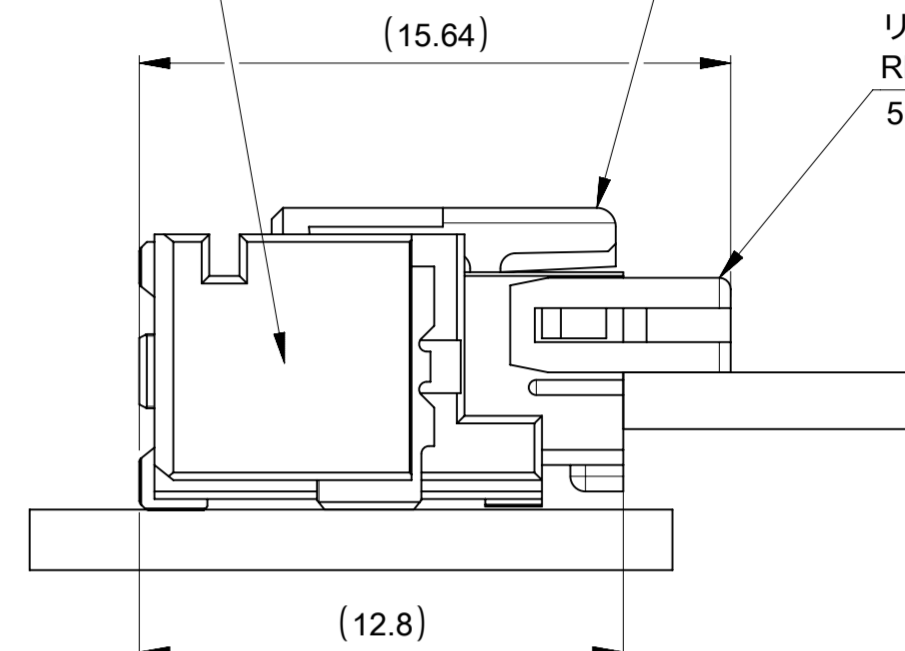


嵌合高さ
(MATING HEIGHT)
(8)

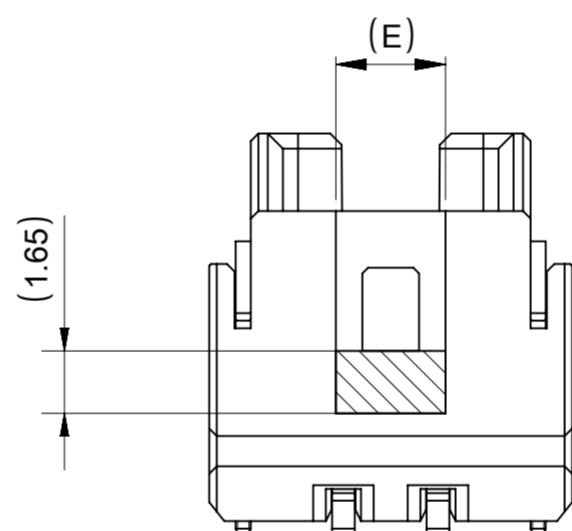
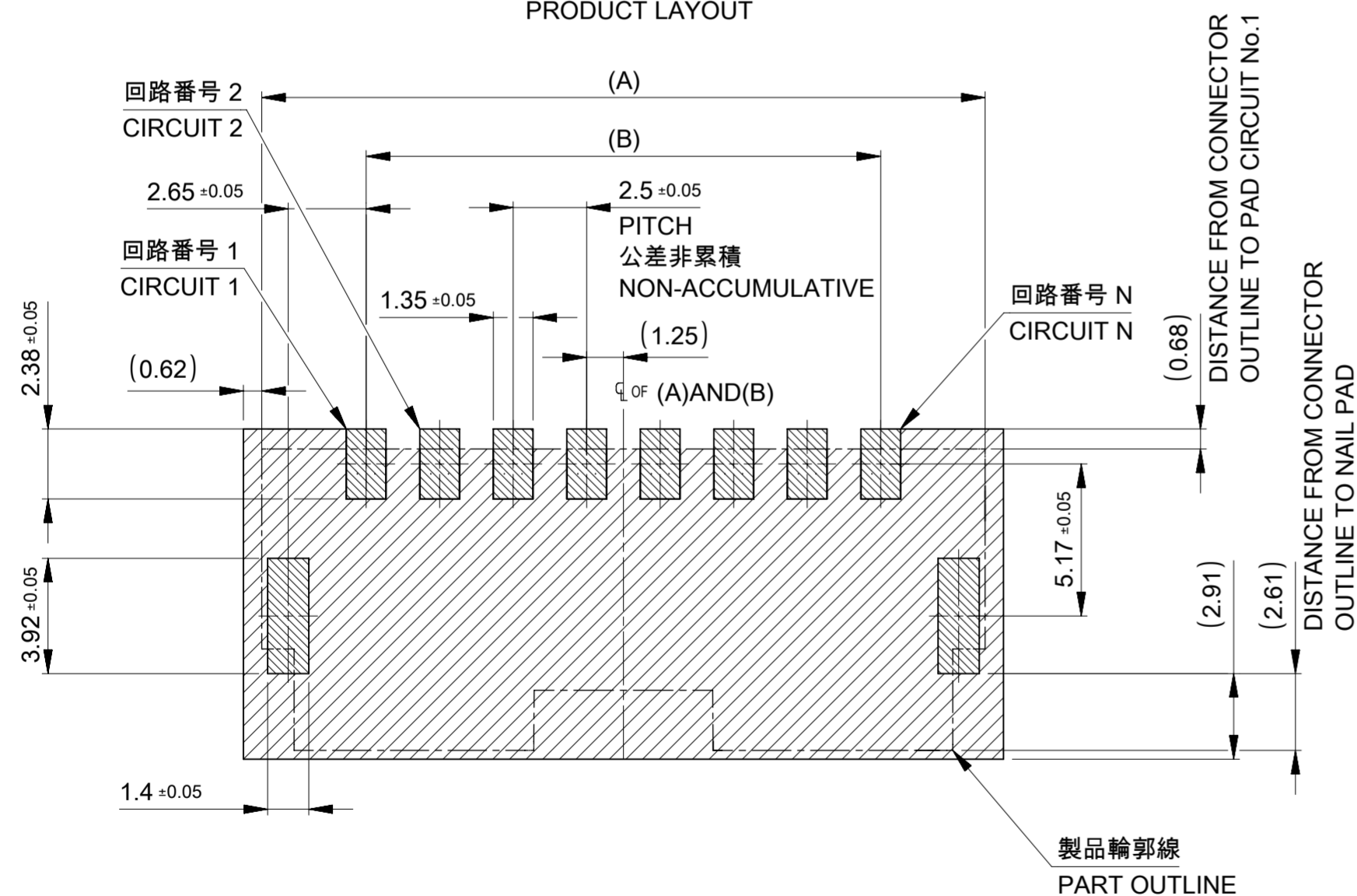
ヘッダー アセンブリ
HEADER ASSEMBLY
215932**0*

ハウジング
HOUSING
51163****

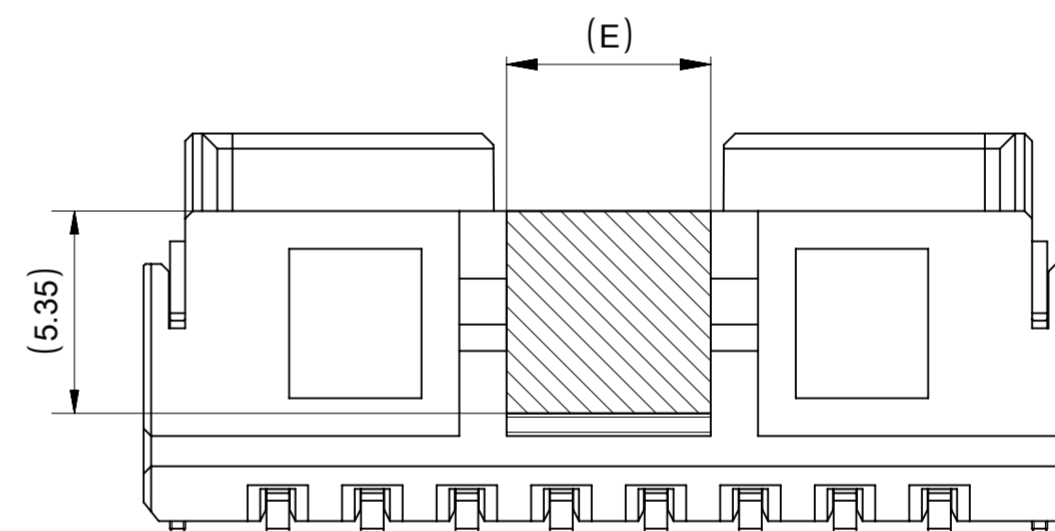
リテーナー
RETAINER
51164**05



嵌合状態図
MATED CONNECTORS



2CIRCUIT



3-15CIRCUIT

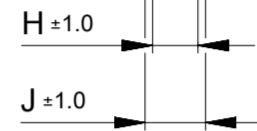
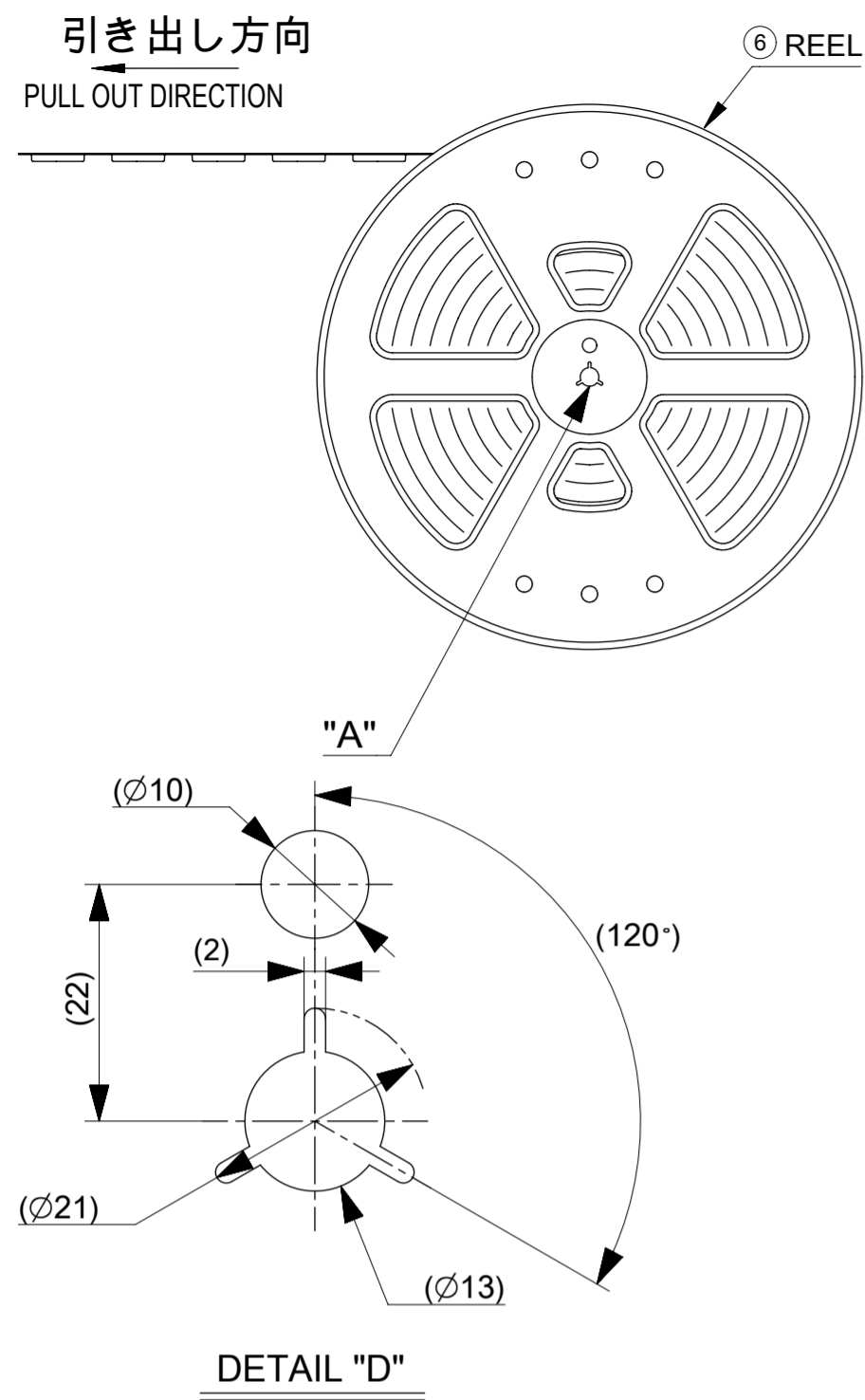
吸着範囲
SUCTION AREA

5.4	15
5.4	14
5.4	13
5.4	12
5.4	11
5.4	10
5.4	9
5.4	8
5.4	7
5.4	6
5.4	5
5.4	4
3.4	3
2.9	2
E	極数 CIRCUIT SIZE

THIS DRAWING CONTAINS INFORMATION THAT IS PROPRIETARY TO MOLEX ELECTRONIC TECHNOLOGIES, LLC AND SHOULD NOT BE USED WITHOUT WRITTEN PERMISSION

DIMENSION UNITS mm	SCALE NTS	CURRENT REV DESC:	molex		
GENERAL TOLERANCES (UNLESS SPECIFIED)	ANGULAR TOL ± 3.0°	EC NO: 755760			
4 PLACES ± 0.2	3 PLACES ± 0.2	DRWN: RWATANABE01 2023/07/05	PRODUCT CUSTOMER DRAWING		
2 PLACES ± 0.2	1 PLACE ± 0.2	CHK'D: AIDA 2023/07/06	DOCUMENT NUMBER		
0 PLACES ± 0.2	DRAFT WHERE APPLICABLE MUST REMAIN WITHIN DIMENSIONS	APPR: SAKIYAMA 2023/07/06	2159320000-SD		
THIRD ANGLE PROJECTION	DRAWING	INITIAL REVISION: DRWN: RWATANABE01 2021/11/11	MATERIAL NUMBER	CUSTOMER	DOC TYPE DOC PART REVISION
	A2-SIZE	APPR: SAKIYAMA 2022/04/01	SEE SHEET1	GENERAL	PSD 000 B
	215932				SHEET NUMBER
					2 OF 3

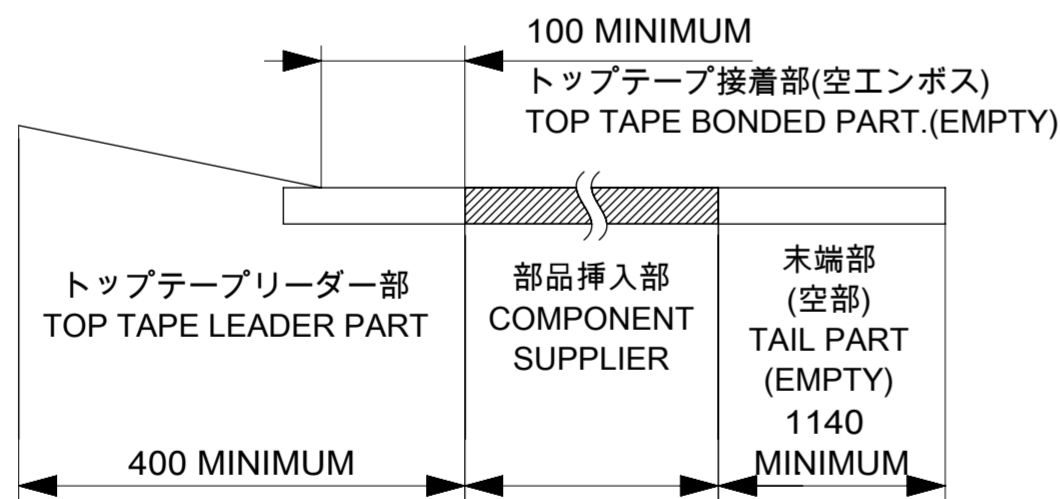
DOCUMENT STATUS	P1	RELEASE DATE	2023/07/06	11:27:55
-----------------	----	--------------	------------	----------



NOTES

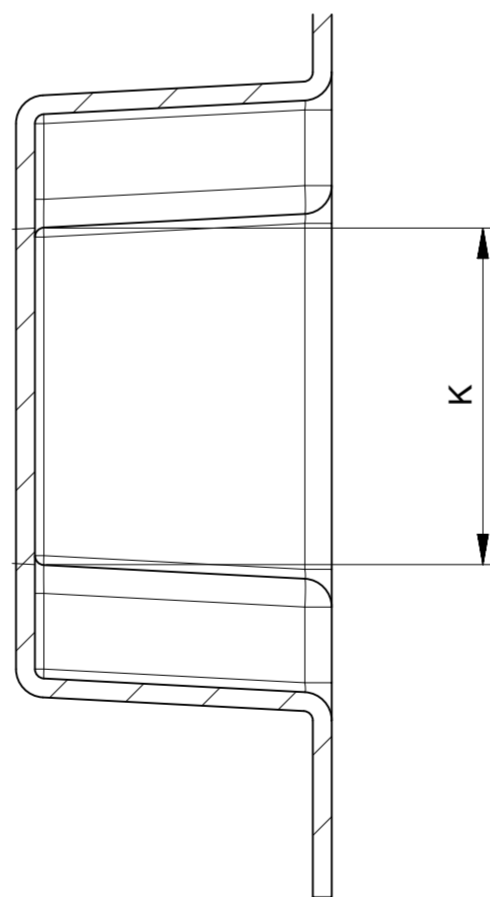
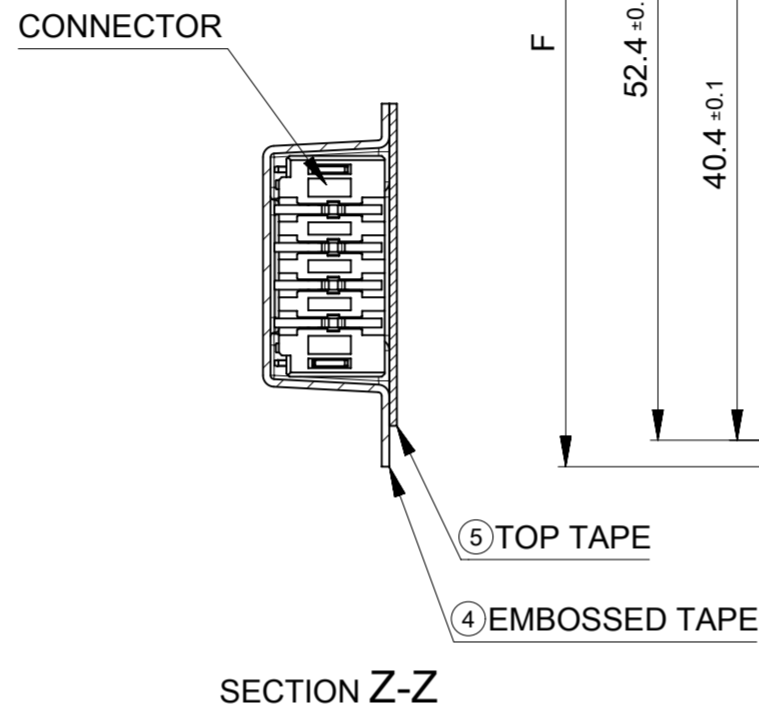
- 9. 梱包数量 : 440個 / リール
NUMBER OF CONNECTORS : 440 PIECES/REEL.
- 10. リードテープ長さ
LEAD TAPE LENGTH.

引き出し方向
PULL OUT DIRECTION



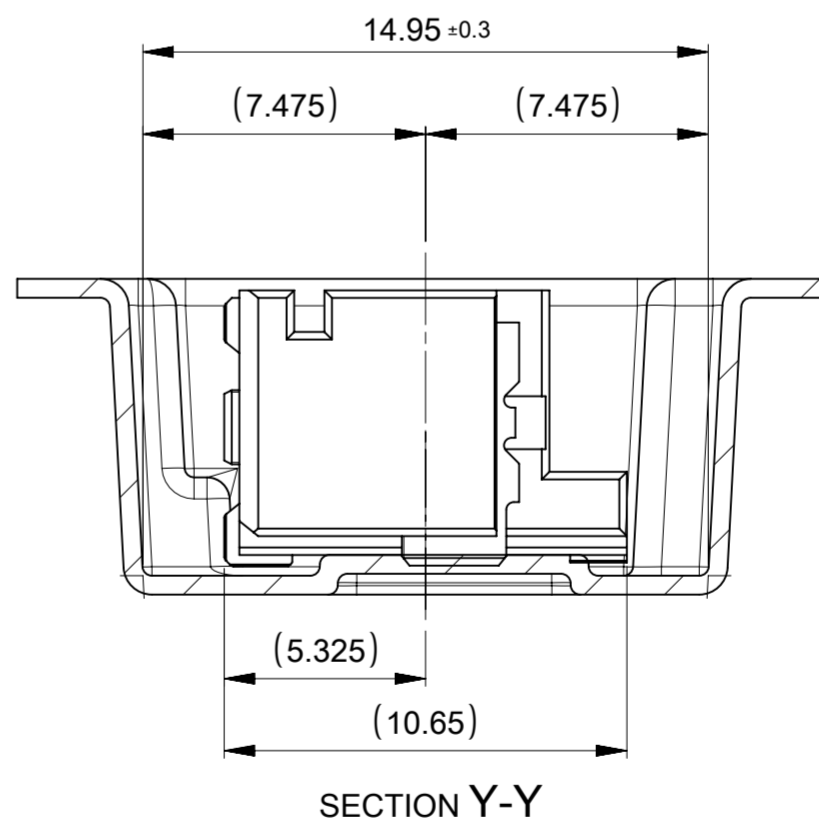
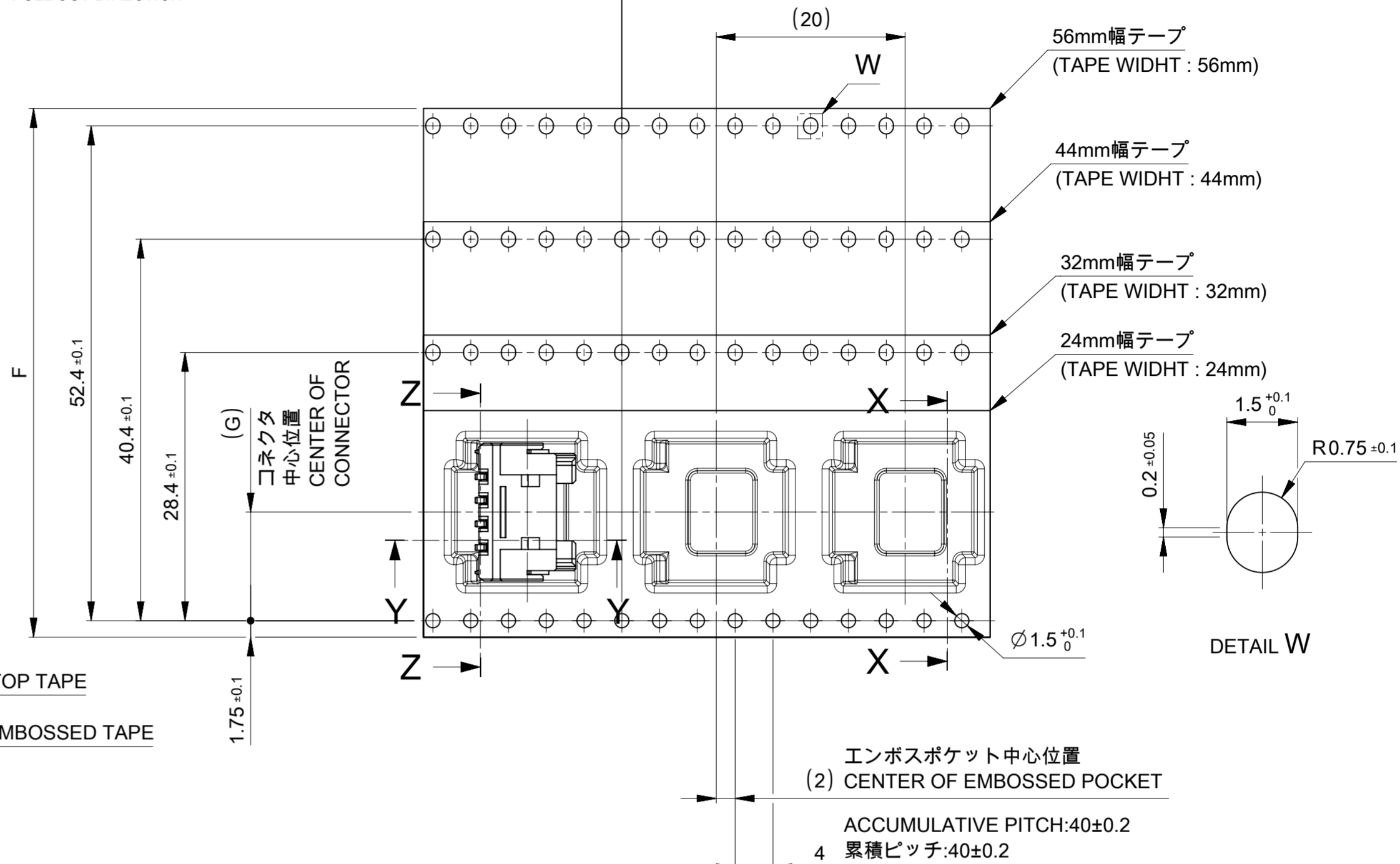
- 11. トップテープの剥離強度はIEC60286-3に準拠
TOP TAPE PEELING FORCE IS DEFINED BY IEC60286-3
- 12. 梱包仕様書 : 2159329200-SPK 200
PACKAGING SPECIFICATION: 2159329200-SPK 200

引き出し方向
PULL OUT DIRECTION



SECTION X-X

送り穴とのずれ量 0.05 MAX
(SKEW BETWEEN ROUND AND ELONGATED SPROCKET HOLE)



SECTION Y-Y

36.4					15
33.9					14
31.4	61.4	57.4	26.2	56 ± 0.3	13
28.9					12
26.4					11
23.9					10
21.4					9
18.9	49.4	45.4	20.2	44 ± 0.3	8
16.4					7
13.9					6
11.4	37.4	33.4	14.2	32 ± 0.3	5
8.9					4
6.4	29.4	25.4	11.5	24 ^{+0.3} / _{-0.1}	3
3.9					2
K	J	H	G	F	極数 CIRCUIT SIZE

THIS DRAWING CONTAINS INFORMATION THAT IS PROPRIETARY TO MOLEX ELECTRONIC TECHNOLOGIES, LLC AND SHOULD NOT BE USED WITHOUT WRITTEN PERMISSION

DIMENSION UNITS	SCALE	CURRENT REV DESC:	molex			
mm	NTS					
GENERAL TOLERANCES (UNLESS SPECIFIED)			MINI-LOCK 2.5 SINGLE ROW HEADER ASSEMBLY SMT RA			
ANGULAR TOL	± 3.0°	EC NO: 755760	PRODUCT CUSTOMER DRAWING			
4 PLACES	± 0.2	DRWN: RWATANABE01 2023/07/05	DOCUMENT NUMBER			
3 PLACES	± 0.2	CHK'D: AIDA 2023/07/06	2159320000-SD			
2 PLACES	± 0.2	APPR: SAKIYAMA 2023/07/06	DOC TYPE DOC PART REVISION			
1 PLACE	± 0.2	INITIAL REVISION:	PSD 000 B			
0 PLACES	± 0.2	DRWN: RWATANABE01 2021/11/11	MATERIAL NUMBER			
DRAFT WHERE APPLICABLE MUST REMAIN WITHIN DIMENSIONS			CUSTOMER			
THIRD ANGLE PROJECTION			SHEET NUMBER			
DRAWING			A2-SIZE			
SERIES			215932			
MATERIAL NUMBER			SEE SHEET1			
CUSTOMER			GENERAL			
SHEET NUMBER			3 OF 3			

番号 NO.	部品 PART	材質 MATERIAL
④	エンボステープ EMBOSSED TAPE	ポリスチレン(PS) POLYSTYRENE(PS)
⑤	トップテープ TOP TAPE	ポリエチレン(PE), その他 POLYETHYLENE(PE), ETC
⑥	リール REEL	ポリスチレン(PS) <リサイクル材を含む> POLYSTYRENE(PS) <RECYCLE MATERIAL CONTAINED >

DOCUMENT STATUS	P1	RELEASE DATE	2023/07/06	11:27:55
-----------------	----	--------------	------------	----------