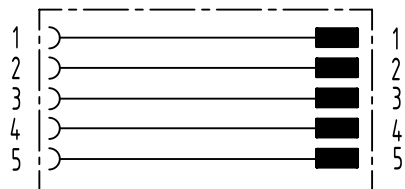
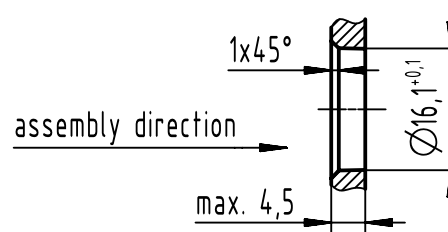


contact assignment

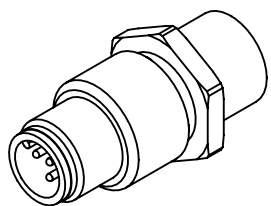
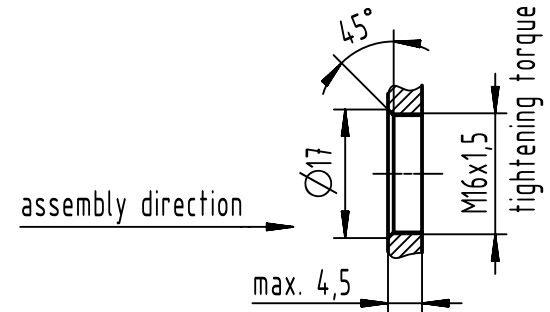


shielded

recommended  
panel cut out  
(1:1)



panel cut out  
with thread  
(1:1)



	All rights reserved Department EL PD	All Dimensions in mm Original Size DIN A4	Scale 2:1	Free size tol.	Ref. Sub.	
		HARTING D-32339 Espelkamp	Created by HASSEBROCKS	Inspected by EISFELD	Standardisation	Date 2021-12-14
		Title M12-PFT-CRIMP-5P-ACOD-M/F-SHLD			Doc-Key / ECM-Nr. 100963895/UGD/000/A 500000207953	
		Type TB	Number 21433201500		Rev. A	Page 1/1