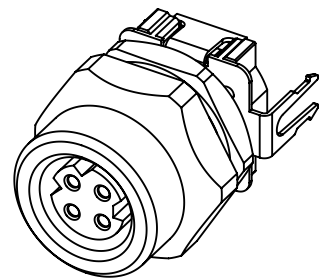
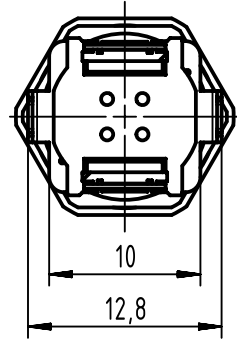
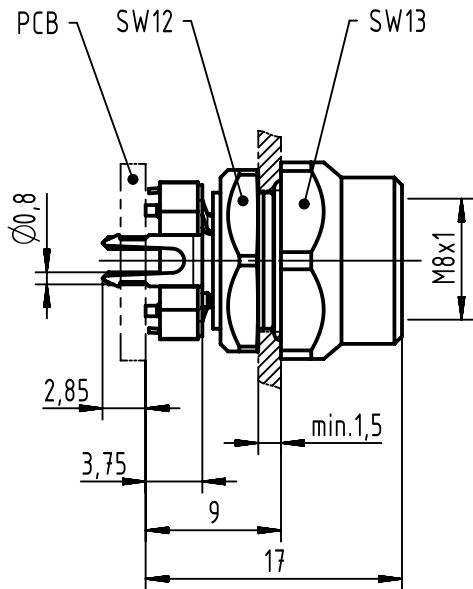


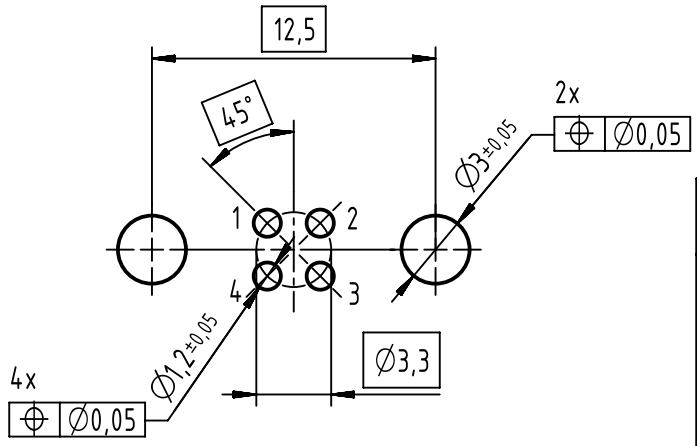
contact face acc. to IEC 61076-2-114



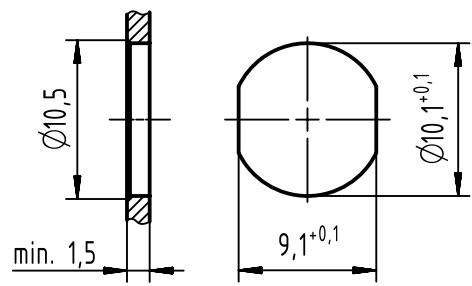
-1pcs. package

recommended PCB thickness: 1.6mm

PCB layout (3:1)



panel cut out (for M10x1)



	All rights reserved Department EL PD	HARTING Electronics GmbH D-32339 Espelkamp	All Dimensions in mm Original Size DIN A4	Scale 2:1 Free size tol.	Created by GRUBES Inspected by HARLASS Standardisation HOFFMANN	Ref. Sub.	Date 2018-11-08 State Final Release
	Title M8-PCB-THT-2PC-4P-DCOD-F-STR-SHLD Type TB Number 21420000014			Doc-Key / ECM-Nr. 100719449/UGD/000/C 500000143076		Rev. C	Page 1/1