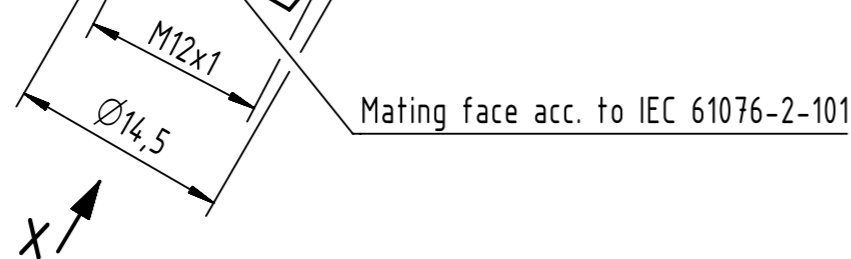
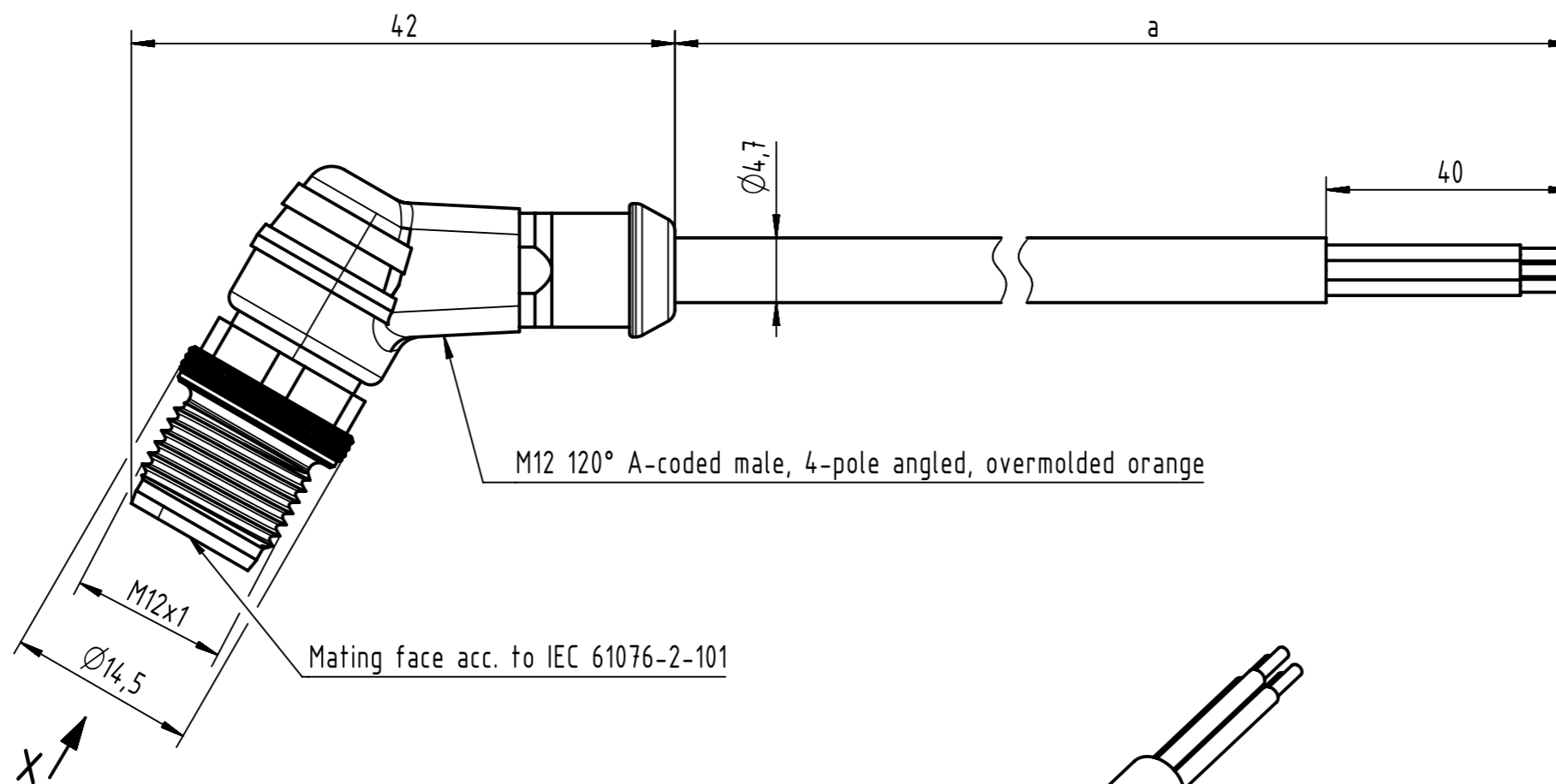


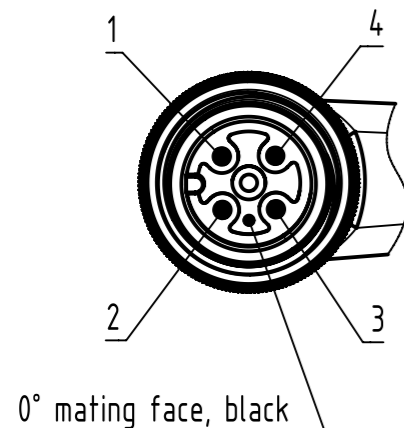
Connector Location A

Connector Location B



X

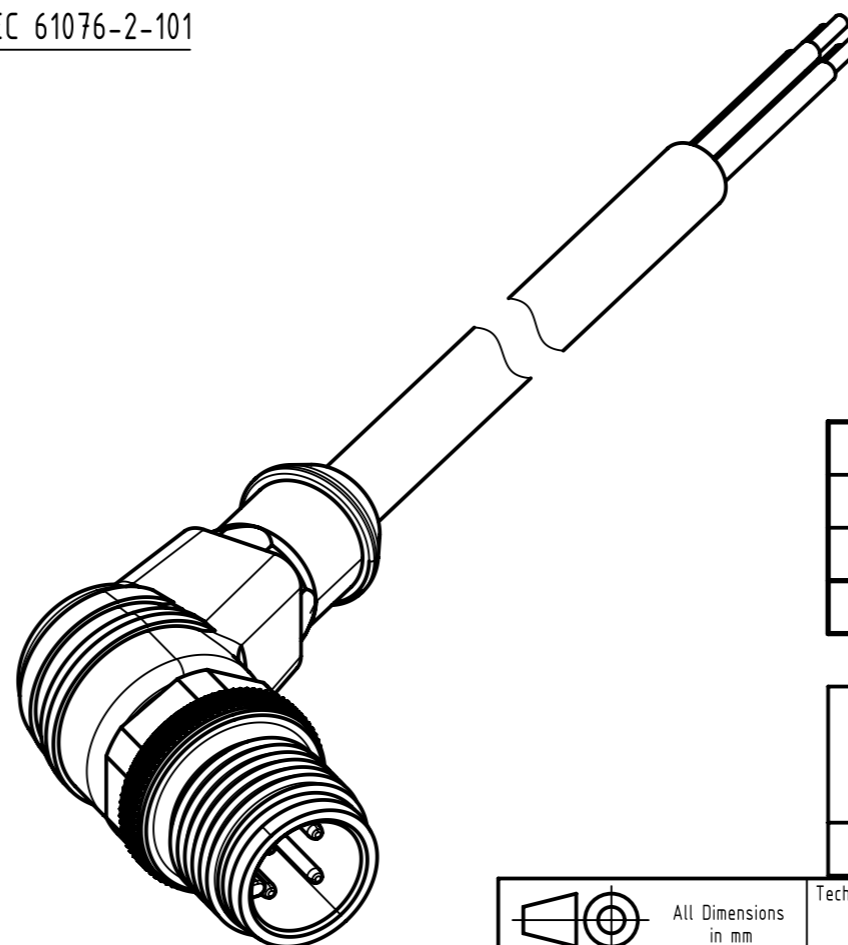
Loading-Plan:



- 1 — Brown
- 2 — White
- 3 — Blue
- 4 — Black

0° mating face, black

- Protection level: IP 65/67
- Temperature range: -25°C...+80°C



6.0 to 100	±1%
0.6 to 5.9	+0.04
0.2 to 0.5	+0.02
<b>a [m]</b>	<b>Tolerance</b>

length in "1m" step	100	XXX=000
	99	XXX=990
	.	.
	12	XXX=120
length in "0.1m" step	11	XXX=110
	10	XXX=100
	9.9	XXX=099
	9.8	XXX=098
	.	.
	0.5	XXX=005
	0.4	XXX=004
	0.3	XXX=003
	0.2	XXX=002
<b>Step</b>	<b>a [m]</b>	<b>XXX</b>

4xAWG22, PUR, black	2137B600430XXX
<b>Type of cable</b>	<b>Part no.</b>

	All rights reserved		Tech. Character.		Free size tol.		According to production drawing	
	Department HCS - RO		Created by MUNTEANV	Inspected by COSTEA	Standardisation POPESCUD	Date 2017-01-16	State Final Release	
HARTING Customised Solutions		Title M12 120° A-coded Cable Assembly				Doc-Key / ECM-Nr. 100691322/UGD/000/C 500000113693		
D-32427 Minden		Type TB	Number 2137B600430XXX			Rev. C	Page 1/1	