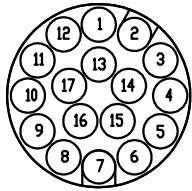


MALE END VIEW

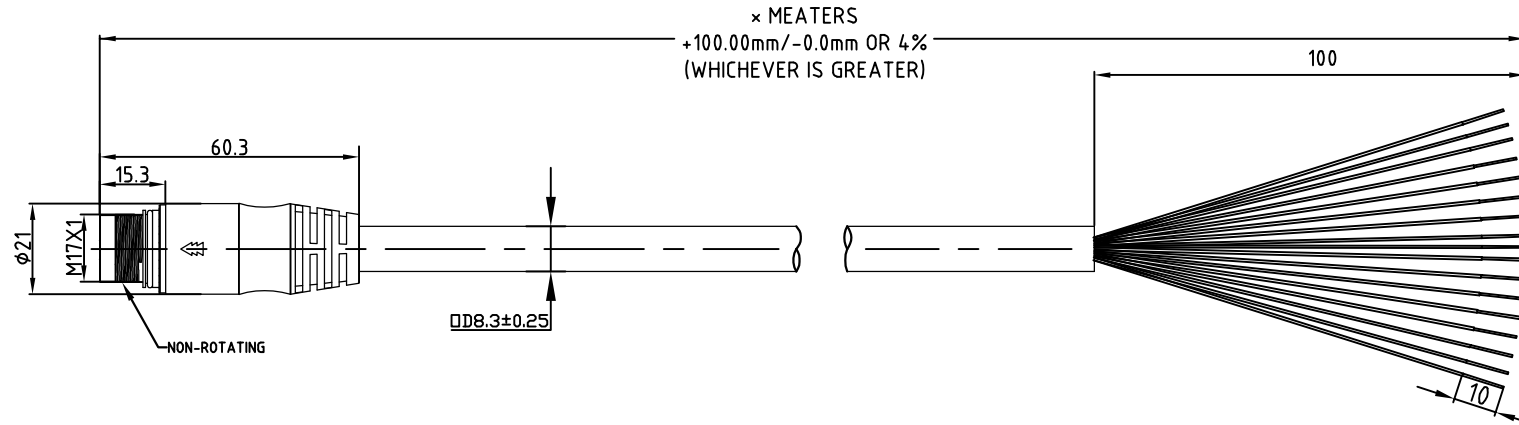


- 1=VT
- 2=RD
- 3=GY
- 4=RD/BU
- 5=GN
- 6=BU
- 7=GY/PK
- 8=WH/GN
- 9=WH/YE
- 10=WH/GY
- 11=BK
- 12=GN/YE
- 13=YE/BN
- 14=BN/GN
- 15=WH
- 16=YE
- 17=PK

HARTING P/N	Type of cable	Cable length(mm)
21375100F02050	PUR	5000 ⁺²⁰⁰ ₋₀
21375100F02100	PUR	10000 ^{+4.00} ₋₀
21375100F04050	PVC	5000 ⁺²⁰⁰ ₋₀
21375100F04100	PVC	10000 ^{+4.00} ₋₀

SPECIFICATIONS

CONTACT CARRIER MATERIAL/COLOR	PA6/BLACK
MOLDED HEAD MATERIAL/COLOR	TPU/BLACK
CONTACTS	BRASS/GOLD
COUPLING NUT MATERIAL/PLATING	BRASS/NICKEL
O-RING MATERIAL	NBR
RATED CURRENT	2A
RATED VOLTAGE	60 V(MAX)
NUMBER OF CONDUCTORS (AWG)	17X22AWG
OPERATING TEMPERATURE	-20°C — +80°C
PROTECTION CLASS	IEC IP67
OUTER CABLE JACKET MATERIAL/CLLOR	PUR/BLACK PVC/BLACK



	All rights reserved Department HCS - CN		Tech. Character.		Free size tol.		According to production drawing	
	HARTING Customised Solutions D-32339 Espelkamp		Created by LINI	Inspected by LIANL	Standardisation LIANL	Date 2021-03-15	State Final release	
Title M17 MA str molded 17p PUR/PVC open end, L=xxM							Doc-Key / ECM-Nr. /	
Type TB			Number 2137 51 00 F 0X XXX				Rev. A	Page 1/1

A	First issue.	Ivy Lin	03/15/21
Rev.	Description	Appr.	Date