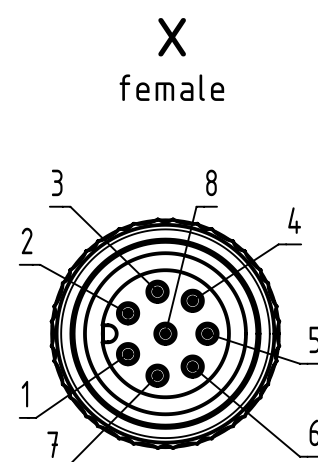
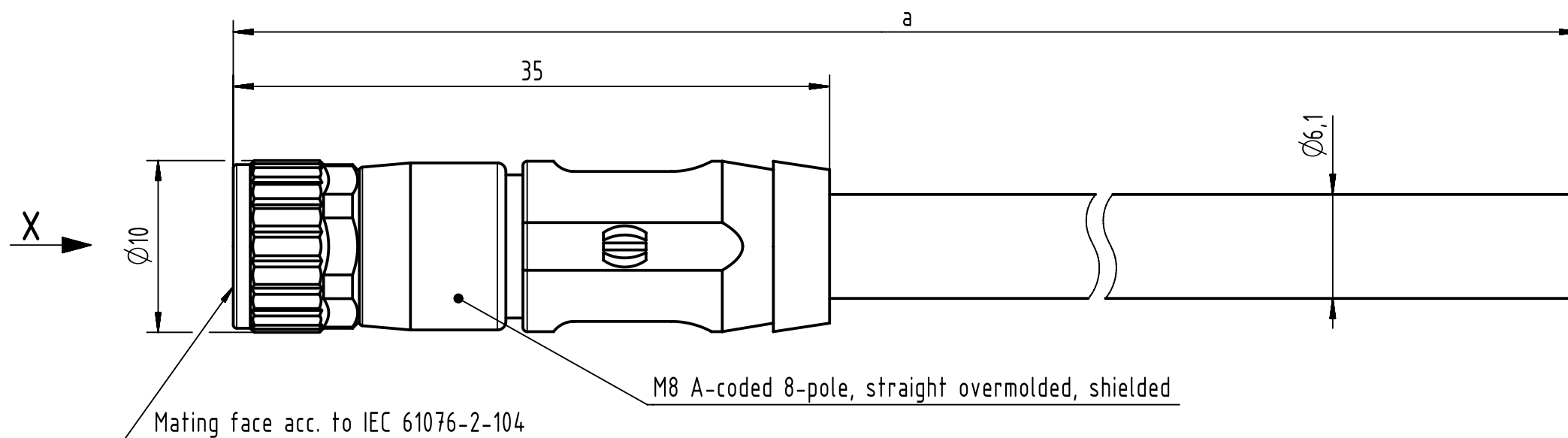


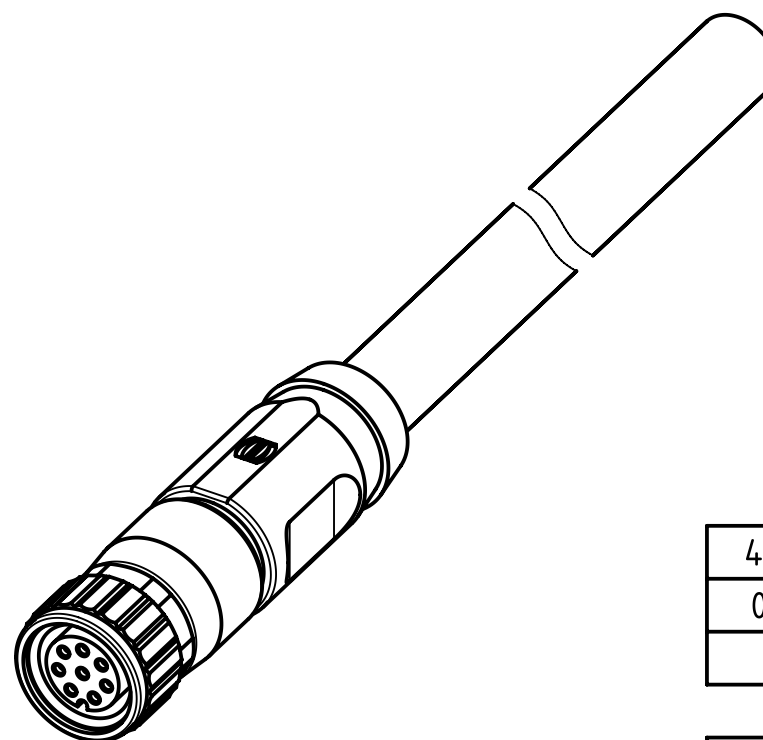
Connector Location A

Connector Location B



Loading-Plan

Shield
1 white
2 brown
3 green
4 yellow
5 grey
6 pink
7 blue
8 red



4.0 to 100	±1%
0.1 to 3.9	+0.04
a [m]	Tolerance

length in "1m" step	100	XXX=000
	99	XXX=990
	.	.
	12	XXX=120
length in "0.1m" step	11	XXX=110
	10	XXX=100
	9.9	XXX=099
	9.8	XXX=098
	.	.
	0.4	XXX=004
0.3	XXX=003	
0.2	XXX=002	
0.1	XXX=001	
Step	a [m]	XXX

Part no.	2134B2008XXXXX
Type of cable	XX
PVC grey, 8x0.14mm <sup>2</sup>	XX=21
TPU black, 8x0.14mm <sup>2</sup>	XX=22

- Protection level: IP67  
- Temperature range: -30°C ... +80°C

All Dimensions in mm		Tech. Character.		Free size tol.		According to production drawing	
All rights reserved		Created by STOCHECIC Stocheci	Inspected by COSTEA Costea	Standardisation MUNTEANV Muntean	Date 2018-12-12	State Final Release	
Department HCS - RO		Title M8 Shielded Assy 8-poles st/- f/-				Doc-Key / ECM-Nr. 100686394/UGD/000/B 500000144261	
HARTING Customised Solutions D-32339 Espelkamp		Type TB	Number 2134B2008XXXXX		Rev. B	Page 1/1	