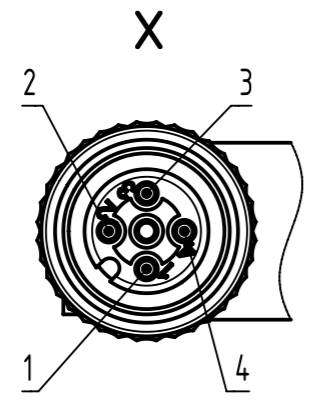
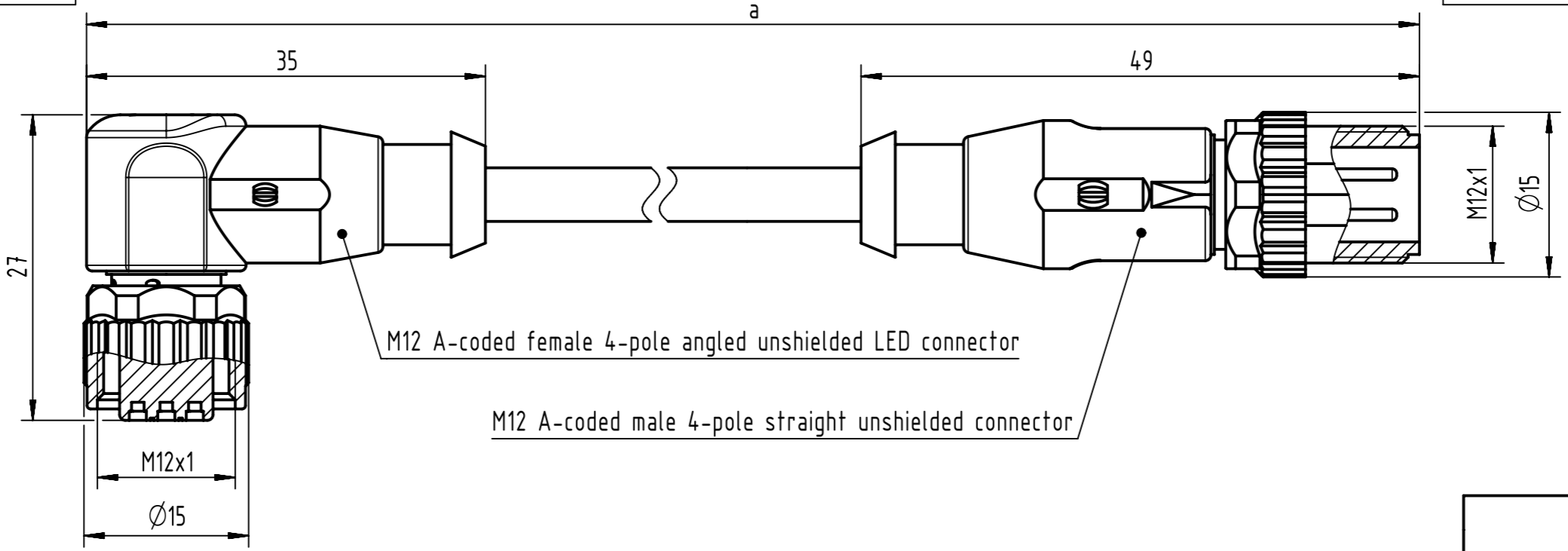


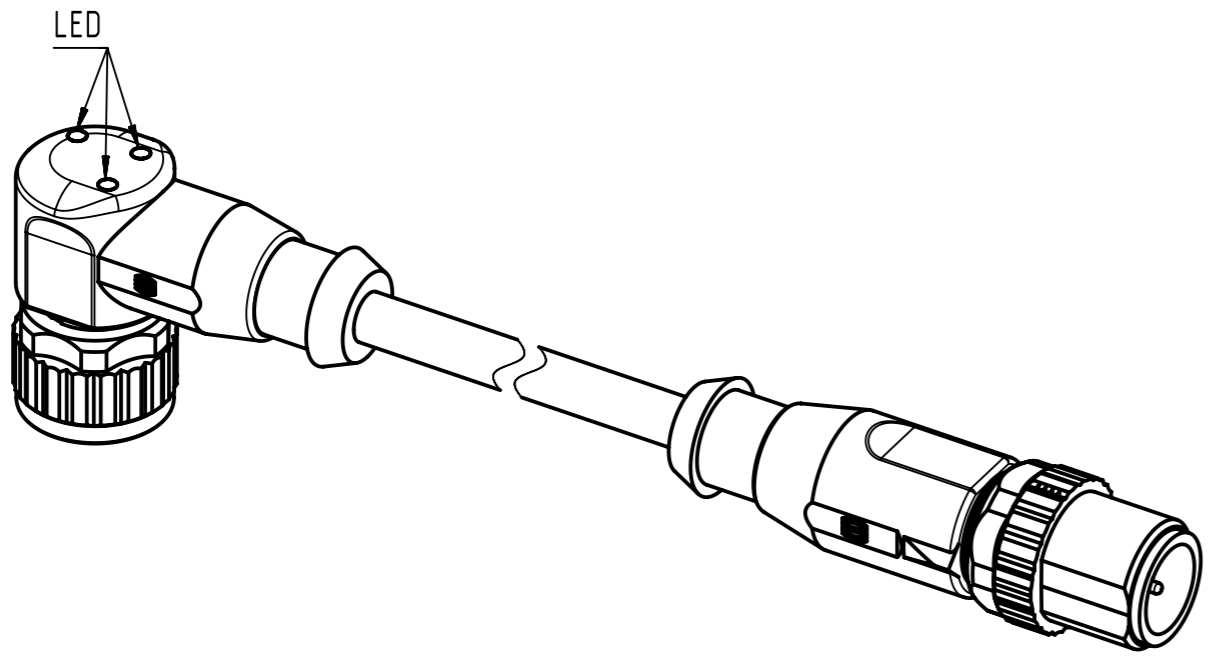
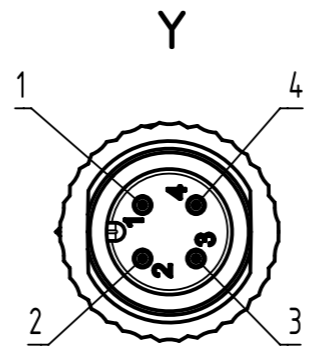
Connector Location A

Connector Location B



Loading-Plan

1	brown	1
2	white	2
3	blue	3
4	black	4



length in "1m" step	100	XXX=000
	99	XXX=990
	.	.
	12	XXX=120
length in "0.1m" step	11	XXX=110
	10	XXX=100
	9.9	XXX=099
	9.8	XXX=098
	.	.
	0.4	XXX=004
	0.3	XXX=003
	0.2	XXX=002
	0.1	XXX=001
Step	a[m]	XXX

4.0 to 100	±1%
0.1 to 3.9	+0.04
a [m]	Tolerance

4x0.34mm ² , black	2134B084491XXX
Type of cable	Part no.

All rights reserved Department HCS - RO HARTING Customised Solutions D-32427 Minden	All Dimensions in mm Tech. Character. Free size tol. According to production drawing 2016-12-13	Created by POPESCUD	Inspected by MUNTEANV	Standardisation AVRAM	Date 2017-01-10	State Final Release
	Title M12 A-coded Cable Assembly	Doc-Key / ECM-Nr. 100686166/UGD/000/B 500000113541	Type TB	Number 2134B084491XXX	Rev. B	Page 1/1