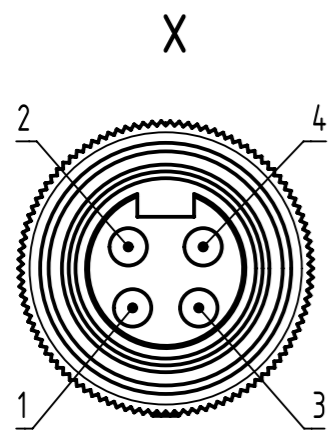
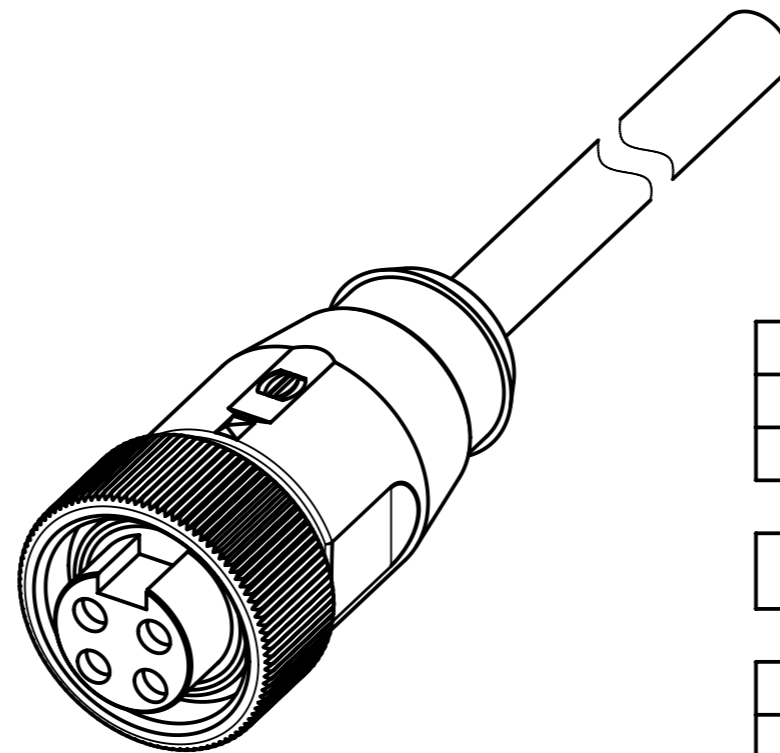


7/8" 4-poles, female straight connector



Loading-Plan:

- 1 — brown
- 2 — white
- 3 — blue
- 4 — black



- Protection level: IP67  
 - Temperature range: -25°C ... +80°C

4.0 to 100	+1%
0.1 to 3.9	+0.04
<b>a [m]</b>	<b>Tolerance</b>

length in "1m" step	100	XXX=000
	99	XXX=990
	.	.
	12	XXX=120
length in "0.1m" step	11	XXX=110
	10	XXX=100
	9.9	XXX=099
	9.8	XXX=098
	.	.
	0.4	XXX=004
	0.3	XXX=003
	0.2	XXX=002
0.1	XXX=001	
<b>Step</b>	<b>a [m]</b>	<b>XXX</b>

<b>Part no.</b>	213497004XXXXXX
-----------------	-----------------

<b>Type of cable</b>	XX
PVC grey, 4x1.5mm <sup>2</sup>	XX=95
PUR black, 4x1.5mm <sup>2</sup>	XX=96

	All rights reserved		Created by TAMAS		Inspected by AVRAM		Standardisation HOFFMANN		Date 2014-07-01		State Final Release	
	Department EC PD - RO		Title 7/8 Cable Assembly		Doc-Key / ECM-Nr. 100580920/UGD/009/A 50000076597		Rev. A		Page 1/1			
HARTING Electronics GmbH		Type TB		Number 213497004XXXXXX								
D-32339 Espelkamp												