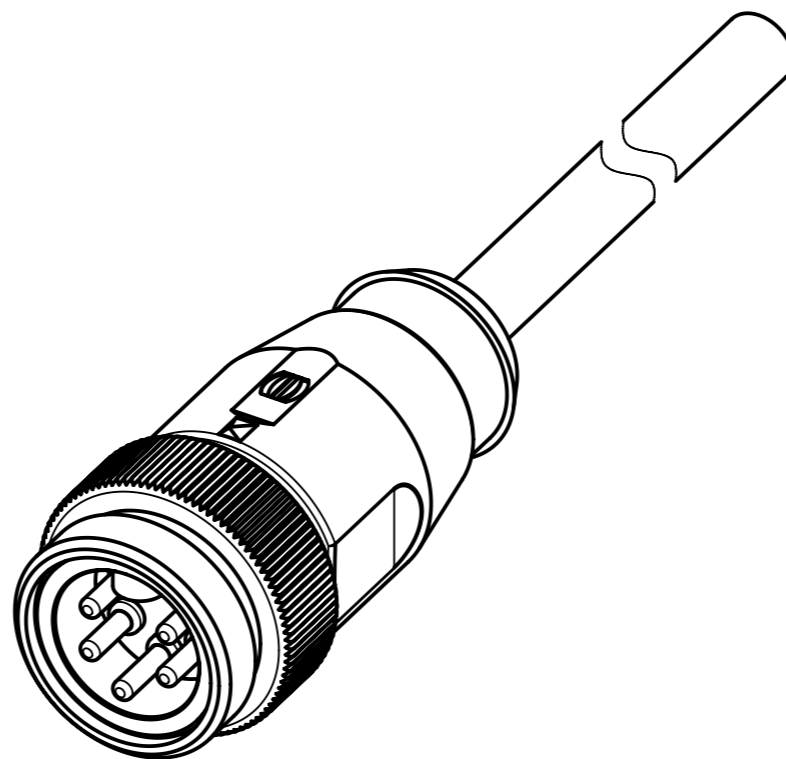


Loading-Plan:

1	black
2	blue
PE	green-yellow
4	brown
5	white

- Protection level: IP67
 - Temperature range: -25°C ... +80°C



4.0 to 100	+1%
0.1 to 3.9	+0.04
a [m]	Tolerance

length in "1m" step	100	XXX=000
	99	XXX=990
	.	.
	12	XXX=120
	11	XXX=110
length in "0.1m" step	10	XXX=100
	9.9	XXX=099
	9.8	XXX=098
	.	.
	0.4	XXX=004
	0.3	XXX=003
	0.2	XXX=002
0.1	XXX=001	
Step	a [m]	XXX

Part no.	213496005XXXXXX
Type of cable	XX
PVC grey, 5x1.5mm ²	XX=97
PUR black, 5x1.5mm ²	XX=98

All Dimensions in mm Original Size DIN A3		Scale 1.5:1	Free size tol.		Ref. Sub.
All rights reserved Department EC PD - RO	Created by TAMAS	Inspected by AVRAM	Standardisation HOFFMANN	Date 2015-05-08	State Final Release
	Title 7/8 Cable Assembly				Doc-Key / ECM-Nr. 100616331/UGD/009/A 50000089104
HARTING Electronics GmbH D-32339 Espelkamp		Type TB	Number 213496005XXXXXX		Rev. A Page 1/1