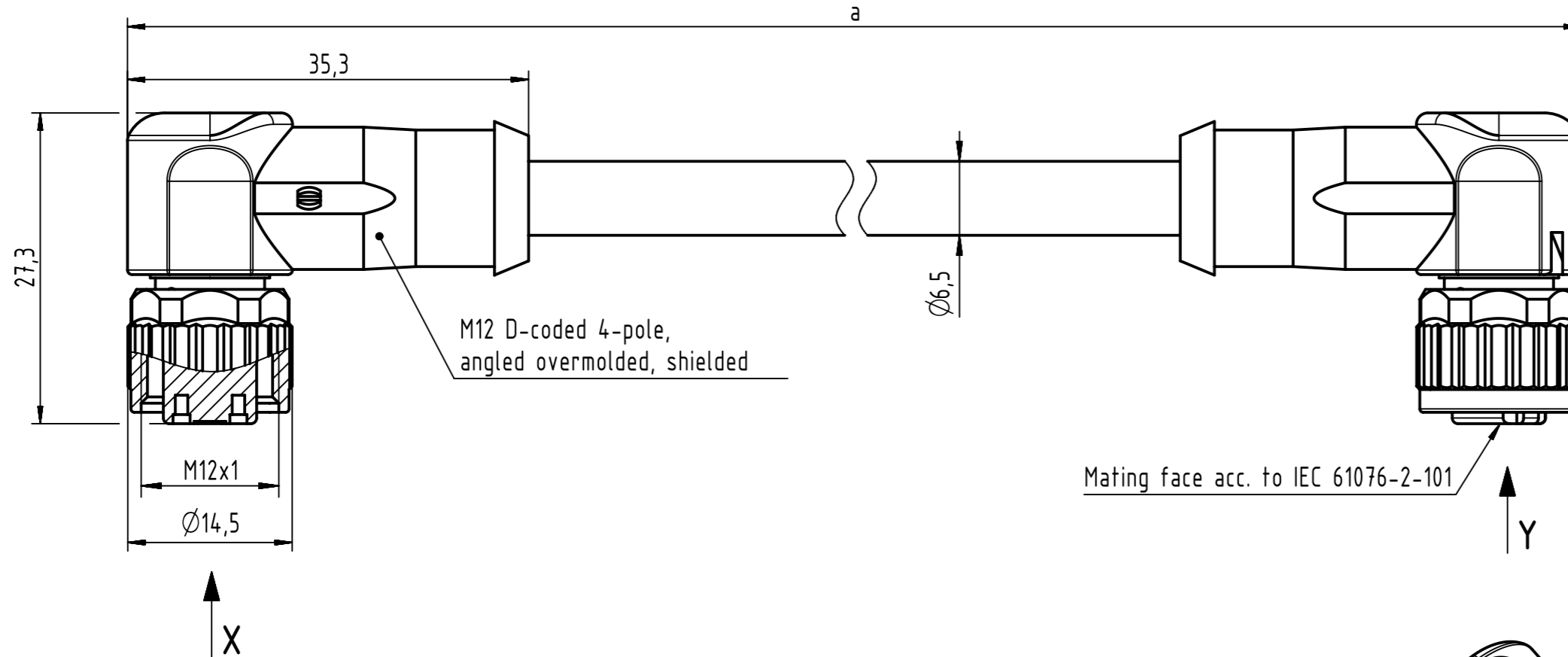


Connector Location A

Connector Location B



M12 D-coded 4-pole, angled overmolded, shielded

Mating face acc. to IEC 61076-2-101

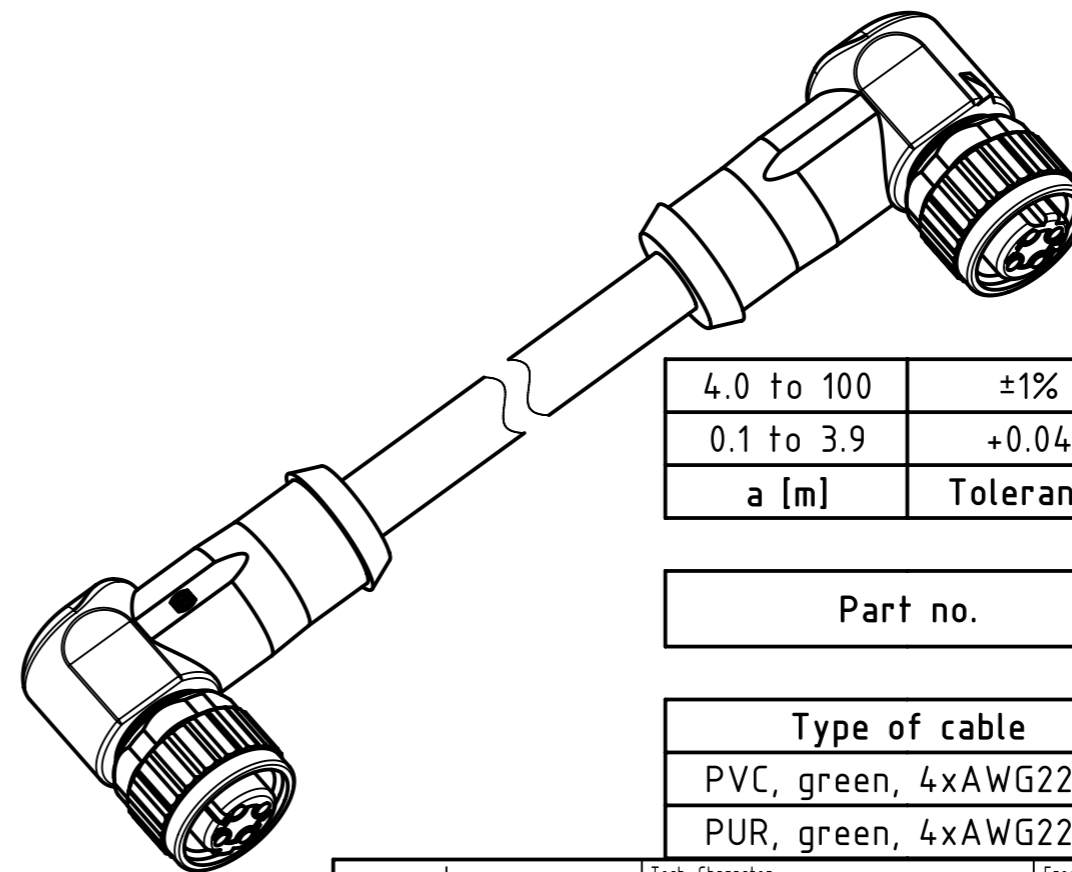
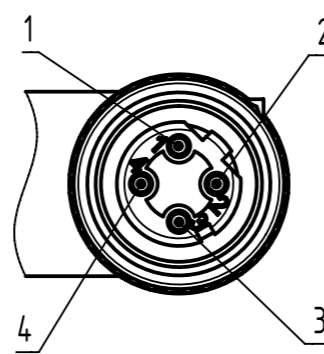
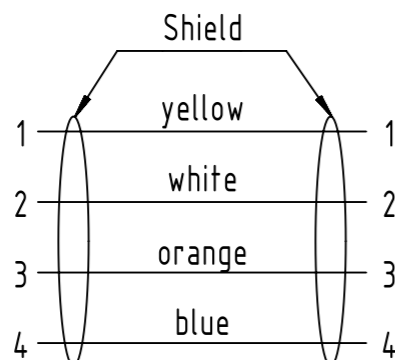
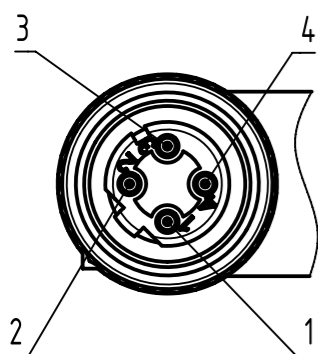
length in "1m" step	100	XXX=000
	99	XXX=990
	.	.
	12	XXX=120
length in "0.1m" step	11	XXX=110
	10	XXX=100
	9.9	XXX=099
	9.8	XXX=098
	.	.
	0.4	XXX=004
	0.3	XXX=003
	0.2	XXX=002
0.1	XXX=001	
Step	a [m]	XXX

4.0 to 100	±1%
0.1 to 3.9	+0.04
a [m]	Tolerance

X female

Loading Plan

Y female



Part no.	213495954XXXXX
Type of cable	XX
PVC, green, 4xAWG22/7	XX=05
PUR, green, 4xAWG22/7	XX=77

- Protection level: IP67
- Temperature range: -30°C ... +70°C

All Dimensions in mm		Tech. Character.		Free size tol.		According to production drawing	
All rights reserved Department HCS - RO HARTING Customised Solutions D-32339 Espelkamp	Created by BANCIUD Banciu	Inspected by COSTEA Costea	Standardisation MUNTEANV Muntean	Date 2019-03-01	State Final Release		Doc-Key / ECM-Nr. 100640519/UGD/000/E 50000014.8052 Rev. E Page 1/1
	Title M12 D-coded Cable Assembly			Type TB	Number 213495954XXXXX		