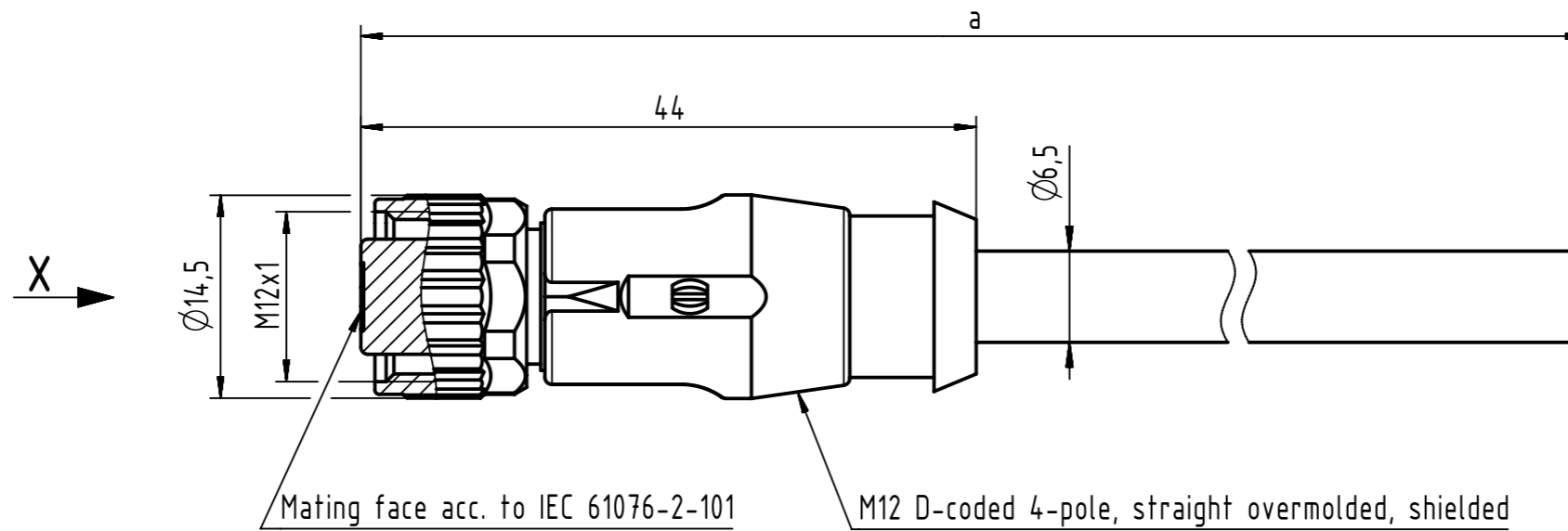
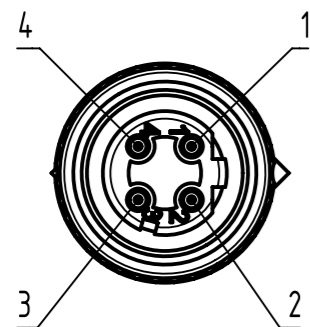


Connector Location A

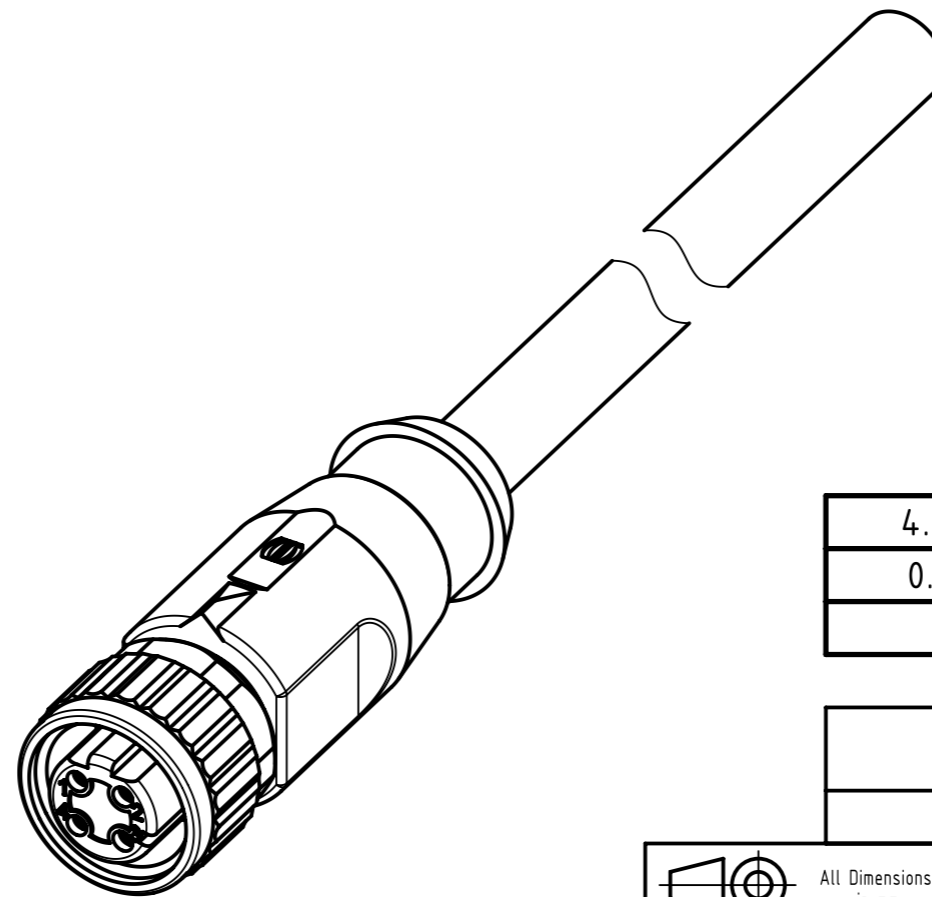
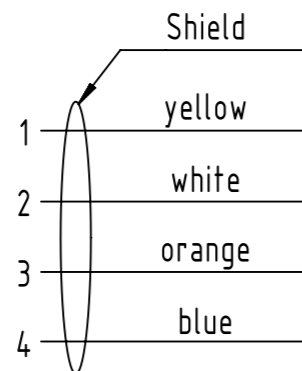
Connector Location B



X female



Loading-Plan:



4.0 to 100	±1%
0.1 to 3.9	+0.04
a [m]	Tolerance

length in "1m" step	100	XXX=000
	99	XXX=990
	.	.
	12	XXX=120
	11	XXX=110
length in "0.1m" step	10	XXX=100
	9.9	XXX=099
	9.8	XXX=098
	.	.
	0.4	XXX=004
	0.3	XXX=003
	0.2	XXX=002
0.1	XXX=001	
Step	a [m]	XXX

PVC, green, 4xAWG22/7	21349300405XXX
Type of cable	Part no.

- Protection level: IP67
 - Temperature range: -30°C ... +70°C

	All rights reserved Department HCS - RO	Created by COSTEA Costea	Inspected by STOCHECIC Stochechi	Standardisation MUNTEANV Muntean	Date 2018-12-12	State Final Release	Doc-Key / ECM-Nr. 100588482/UGD/000/D 500000144262
HARTING Customised Solutions D-32339 Espelkamp		Title M12 Cable Assembly D-cod st/- f/-		Type TB		Number 21349300405XXX	
						Rev. D	Page 1/1