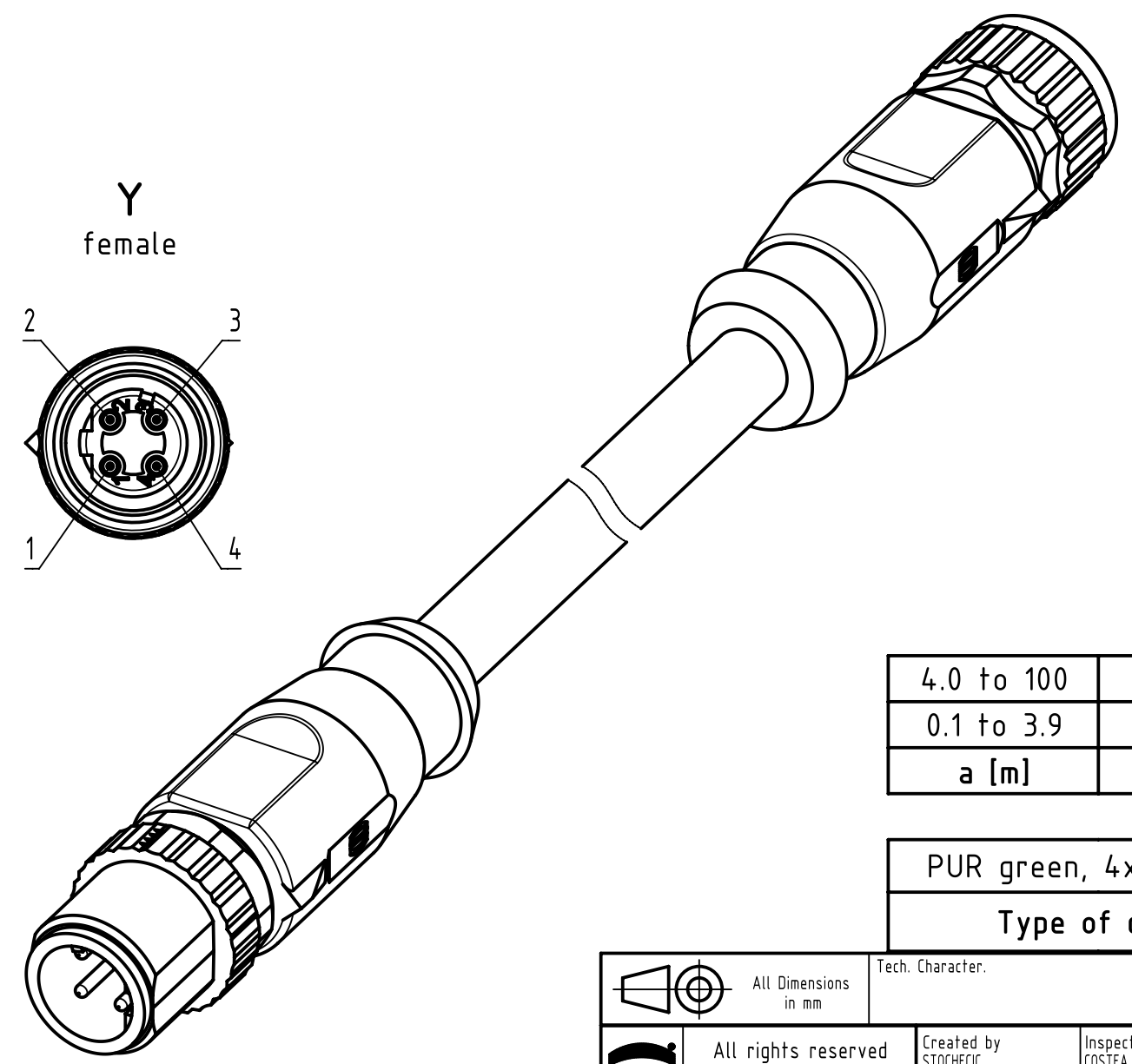
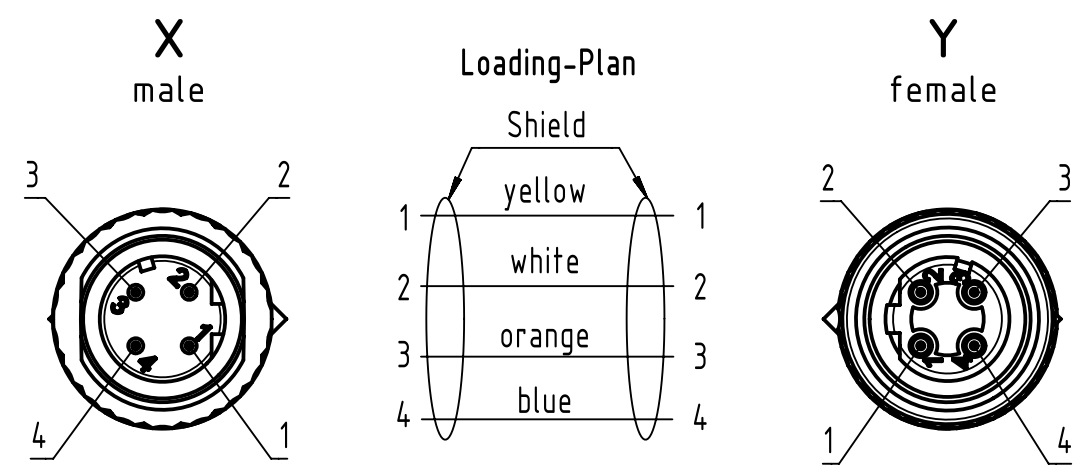
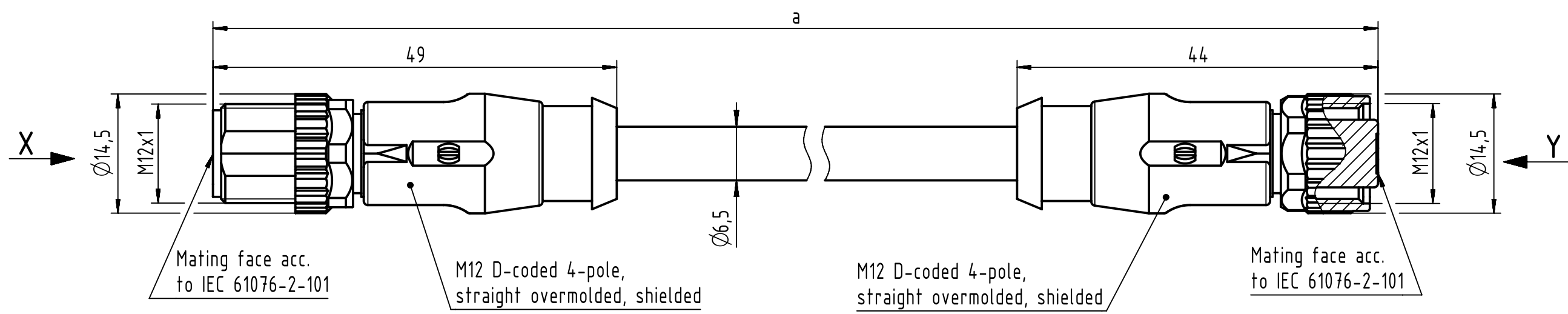


Connector Location A

Connector Location B



length in "1m" step	100	XXX=000
	99	XXX=990
	.	.
	12	XXX=120
	11	XXX=110
length in "0.1m" step	10	XXX=100
	9.9	XXX=099
	9.8	XXX=098
	.	.
	0.4	XXX=004
	0.3	XXX=003
Step	0.2	XXX=002
	0.1	XXX=001
	a [m]	XXX

4.0 to 100	±1%
0.1 to 3.9	+0.04
a [m]	Tolerance

PUR green, 4xAWG22/7	21349293477XXX
Type of cable	Part no.

- Protection level: IP67
 - Temperature range: -30°C ... +70°C

All rights reserved Department HCS - RO HARTING Customised Solutions D-32339 Espelkamp		Tech. Character. Created by STOCHEVIC Stocheci Inspected by COSTEA Costea Standardisation MUNTEANV Muntean Date 2018-12-14 State Final Release		Free size tol. According to production drawing Doc-Key / ECM-Nr. 100807037/UGD/000/A 500000144883 Rev. A Page 1/1	
Title M12 Cable Assembly D-cod st/st m/f		Type TB	Number 21349293477XXX		