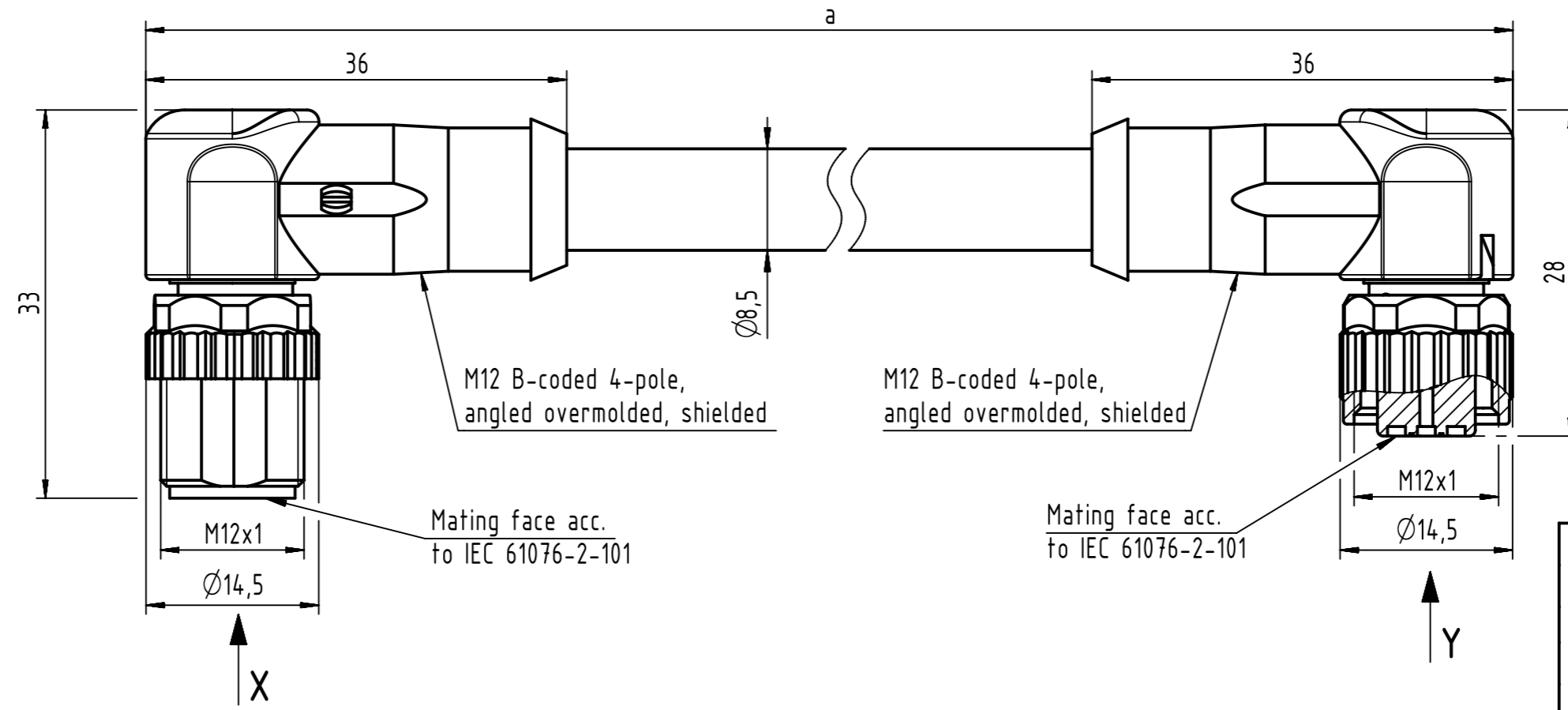


Connector Location A

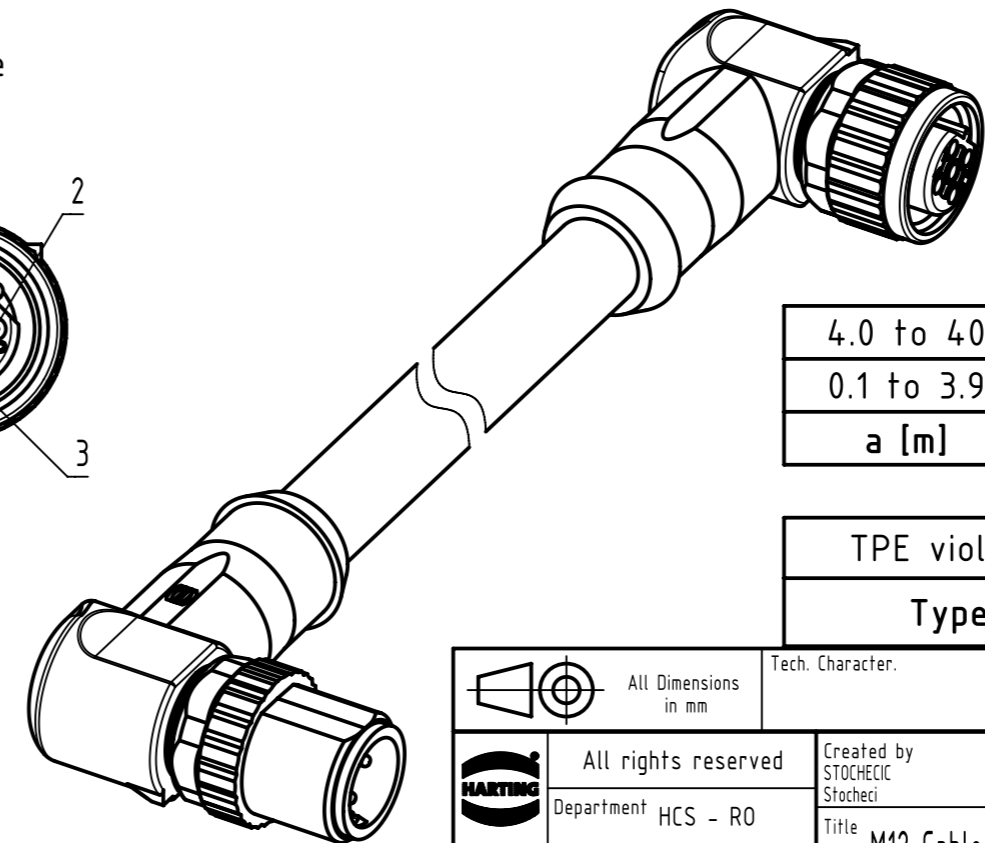
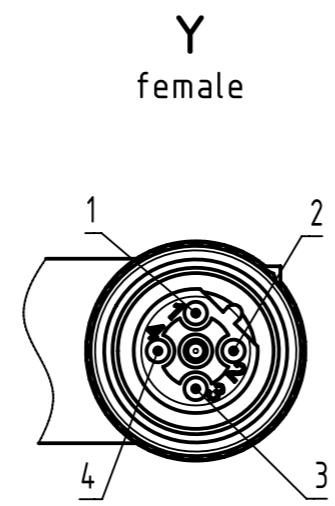
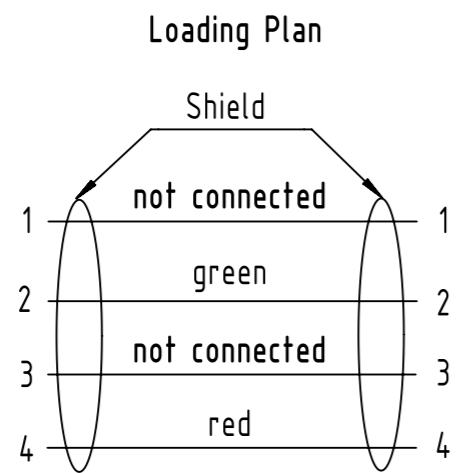
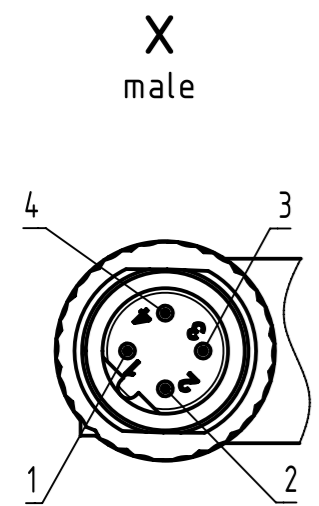
Connector Location B



length in "1m" step	40	XXX=400
	39	XXX=390
	.	.
	12	XXX=120
	11	XXX=110
length in "0.1m" step	10	XXX=100
	9.9	XXX=099
	9.8	XXX=098
	.	.
	0.4	XXX=004
	0.3	XXX=003
	0.2	XXX=002
0.1	XXX=001	
Step	a [m]	XXX

4.0 to 40	±1%
0.1 to 3.9	+0.04
a [m]	Tolerance

TPE violet, 2xAWG24	21349091487XXX
Type of cable	Part no.



- Protection level: IP67  
 - Temperature range: -30°C ... +80°C

All rights reserved Department HCS - RO HARTING Customised Solutions D-32339 Espelkamp		All Dimensions in mm Tech. Character. Created by STOCHECIC Stocheci Inspected by COSTEA Costea Standardisation MUNTEANV Muntean Date 2019-03-27 State Final Release Title M12 Cable Assembly B-cod an/an m/f Type TB Number 21349091487XXX	Free size tol. According to production drawing Doc-Key / ECM-Nr. 100580614/UGD/009/C 500000149491 Rev. C Page 1/1
-------------------------------------------------------------------------------------------------	--	-----------------------------------------------------------------------------------------------------------------------------------------------------------------------------------------------------------------------------------------------------------------------	-------------------------------------------------------------------------------------------------------------------------------------