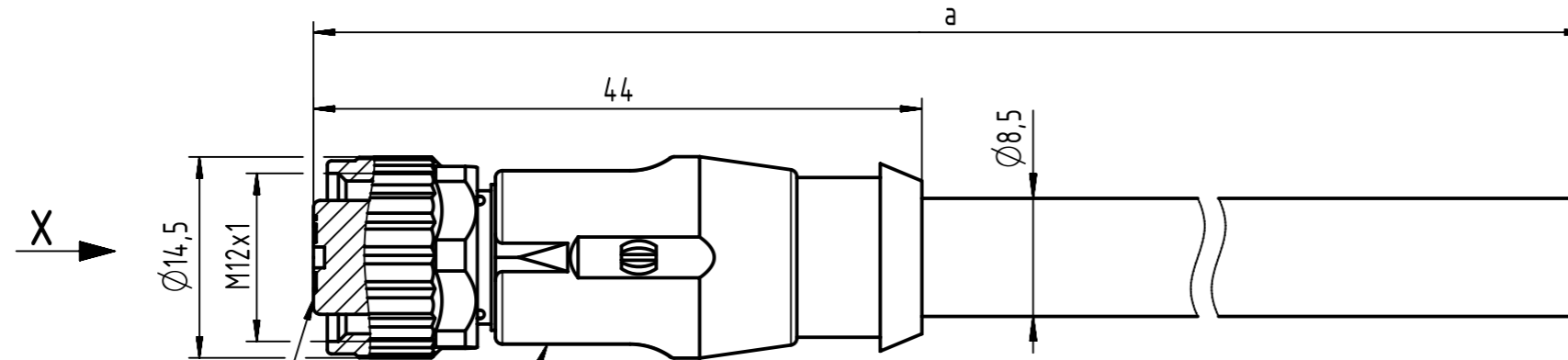


Connector Location A

Connector Location B

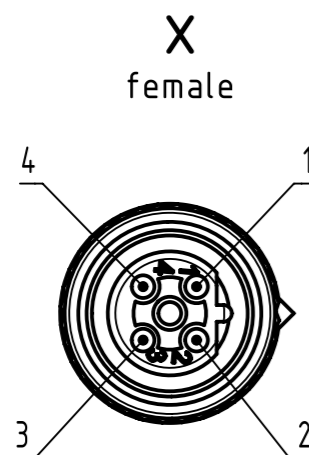


E500416

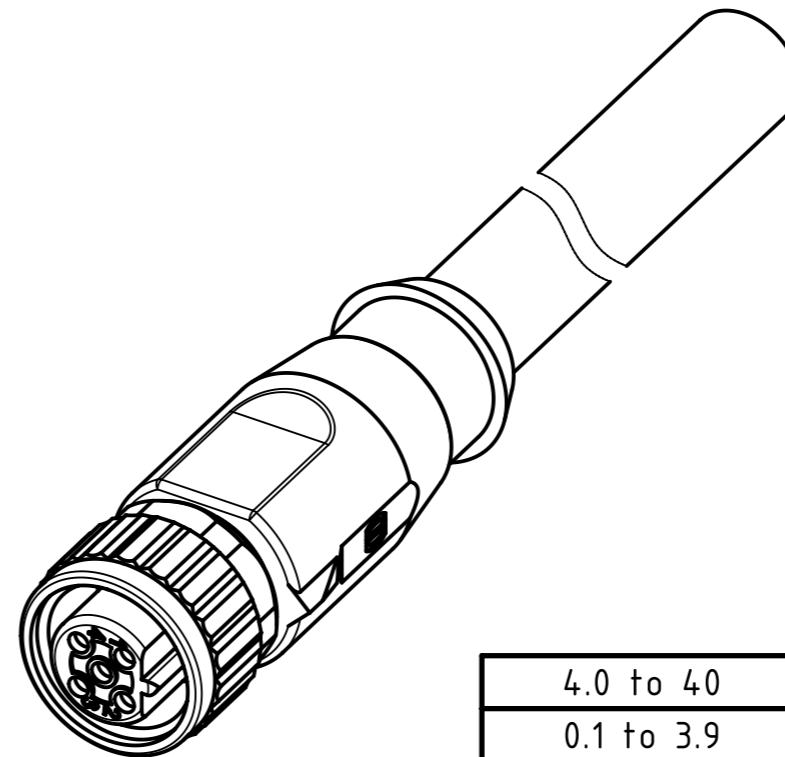
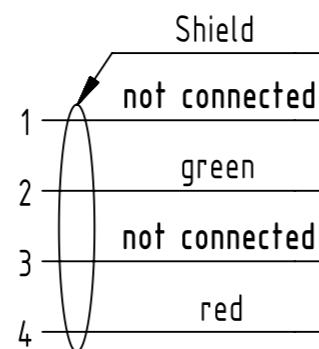


Mating face acc. to IEC 61076-2-101

M12 B-coded 4-pole, straight overmolded, shielded



Loading-Plan:



length in "1m" step	40	XXX=40
	39	XXX=39
	.	.
	12	XXX=120
	11	XXX=110
length in "0.1m" step	10	XXX=100
	9.9	XXX=099
	9.8	XXX=098
	.	.
	0.4	XXX=004
	0.3	XXX=003
	0.2	XXX=002
	0.1	XXX=001
Step	a [m]	XXX

4.0 to 40	±1%
0.1 to 3.9	+0.04
a [m]	Tolerance

TPE violet, 2xAWG24	21348900487XXX
Type of cable	Part no.

- Protection level: IP67
- Temperature range: -30°C ... +60°C

	All Dimensions in mm	Tech. Character.		Free size tol.		According to production drawing	
	All rights reserved	Created by COSTEA Costea	Inspected by MUNTEANV Muntean	Standardisation MUNTEANV Muntean	Date 2018-12-18	State Final Release	
	Department HCS - RO	Title M12 Cable Assembly B-cod st/- f/-				Doc-Key / ECM-Nr. 100807059/UGD/009/A 500000145021	
HARTING Customised Solutions D-32339 Espelkamp		Type TB	Number 21348900487XXX		Rev. A	Page 1/1	