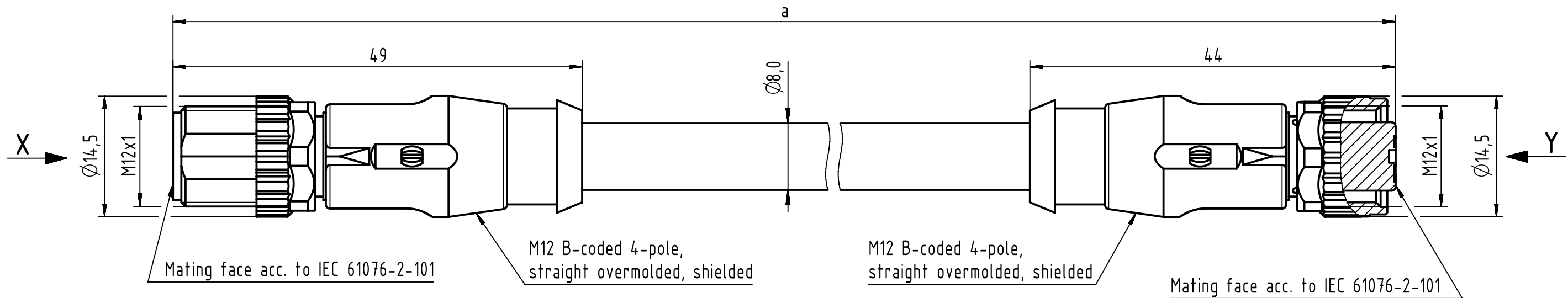


Connector Location A

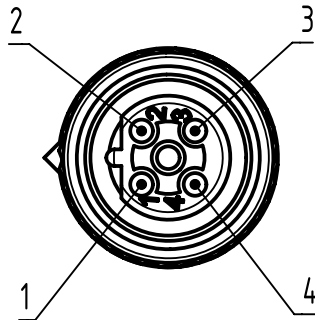
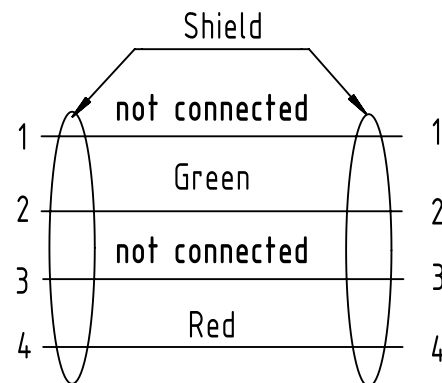
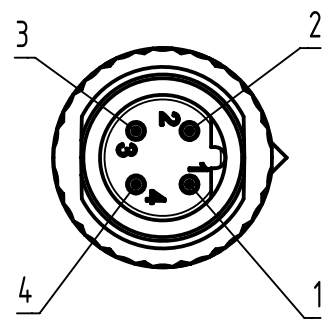
Connector Location B



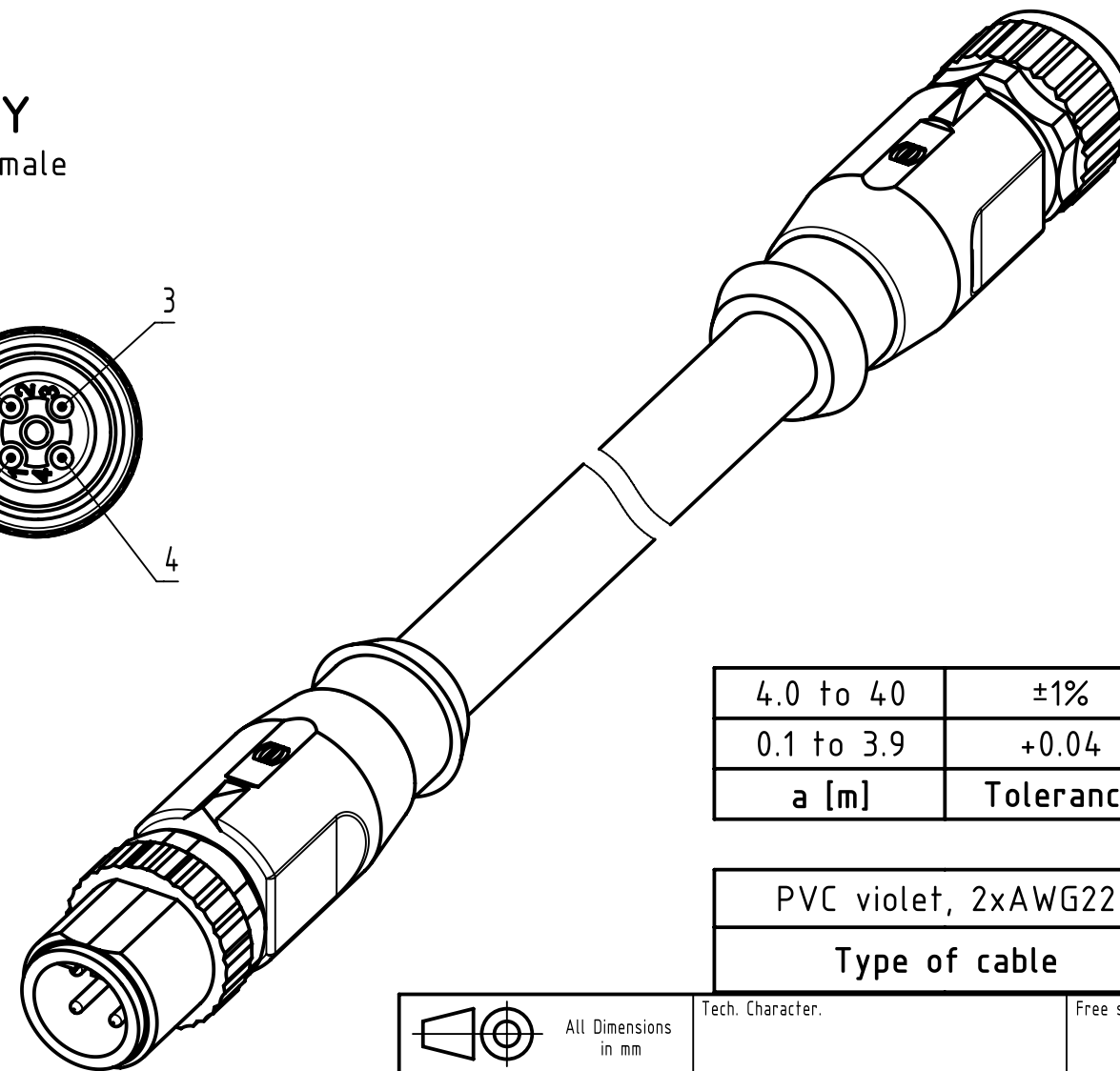
X  
male

Loading-Plan

Y  
female



- Protection level: IP67
- Temperature range: -30°C ... +60°C



length in "1m" step	40	XXX=400
	39	XXX=390
	.	.
	12	XXX=120
	11	XXX=110
length in "0.1m" step	10	XXX=100
	9.9	XXX=099
	9.8	XXX=098
	.	.
	0.4	XXX=004
	0.3	XXX=003
	0.2	XXX=002
0.1	XXX=001	
Step	a [m]	XXX

4.0 to 40	±1%
0.1 to 3.9	+0.04
a [m]	Tolerance

PVC violet, 2xAWG22	21348889486XXX
Type of cable	Part no.

	All rights reserved	Created by STOCHECIC Stochei	Inspected by COSTEA Costea	Standardisation MUNTEANV Muntean	Date 2018-12-14	State Final Release	
	Department HCS - RO	Title M12 Cable Assembly B-cod st/st m/f				Doc-Key / ECM-Nr. 100579391/UGD/009/B 500000144878	
HARTING Customised Solutions D-32339 Espelkamp		Type TB	Number 21348889486XXX			Rev. B	Page 1/1