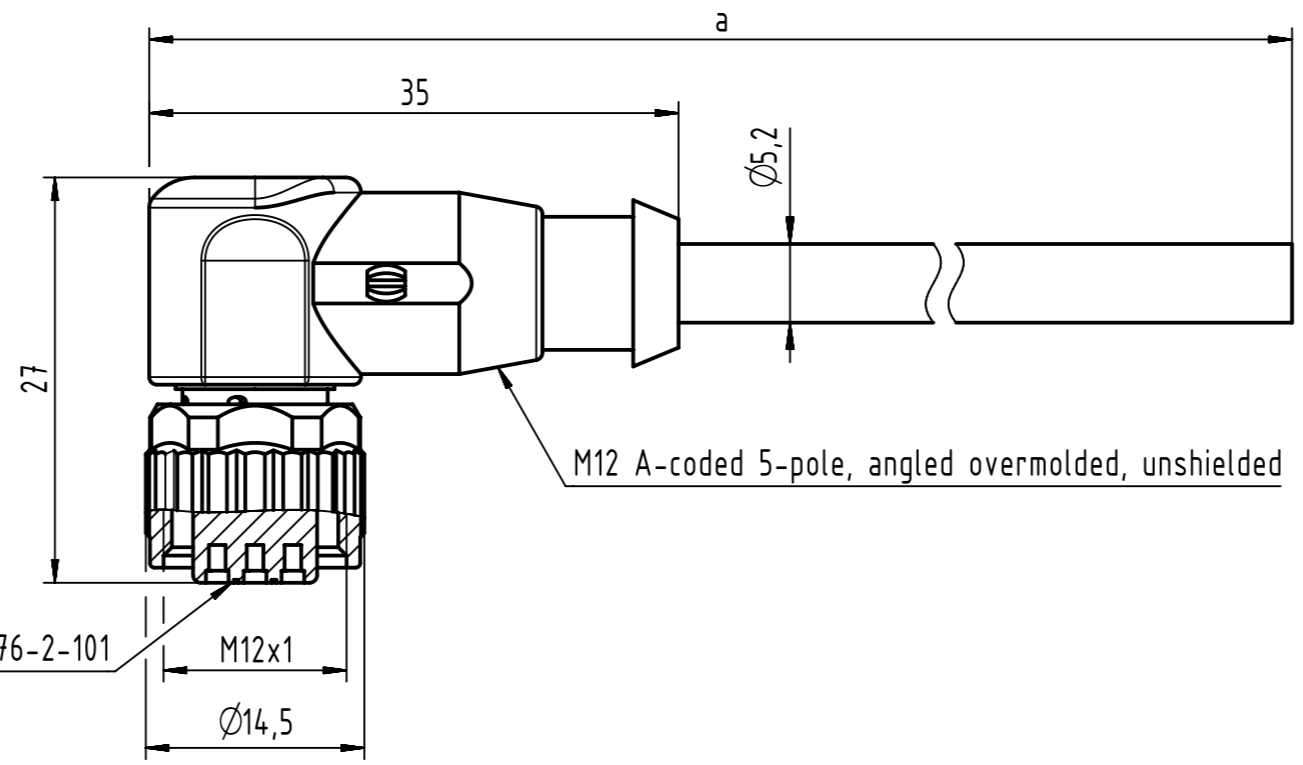


Connector Location A

Connector Location B

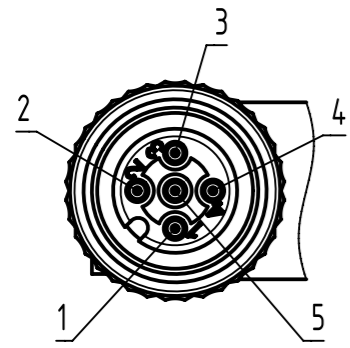


M12 A-coded 5-pole, angled overmolded, unshielded

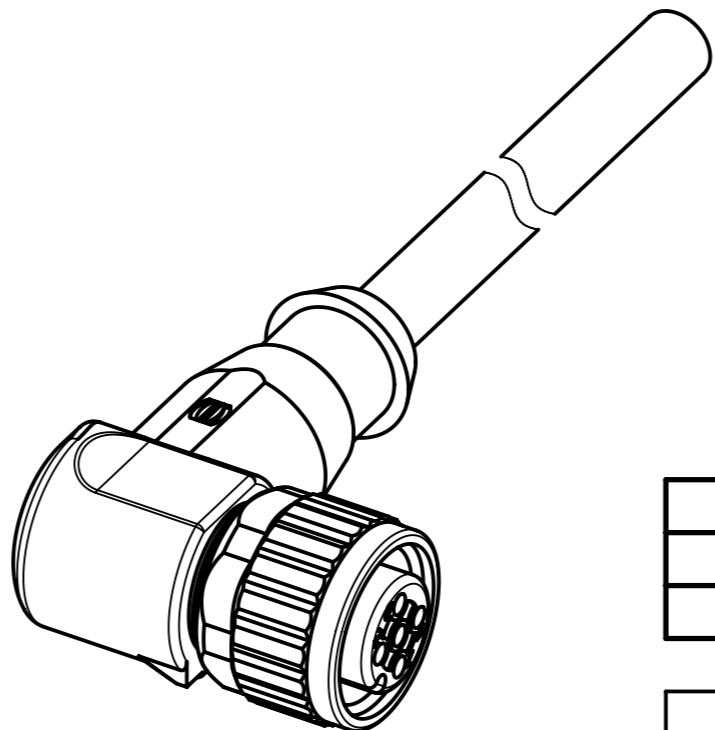
Mating face acc. to IEC 61076-2-101

X female

Loading-Plan:



- 1 brown
- 2 white
- 3 blue
- 4 black
- 5 green-yellow



- Protection level: IP67
- Temperature range: -25°C ... +80°C

length in "1m" step	40	XXX=40
	39	XXX=39

	12	XXX=120
	11	XXX=110
length in "0.1m" step	10	XXX=100
	9.9	XXX=099
	9.8	XXX=098

	0.4	XXX=004
	0.3	XXX=003
	0.2	XXX=002
0.1	XXX=001	
Step	a [m]	XXX

4.0 to 40	±1%
0.1 to 3.9	+0.04
a [m]	Tolerance

PVC grey, 5x0.34mm ²	21348700585XXX
Type of cable	Part no.

	All rights reserved		Created by COSTEA Costea		Inspected by MUNTEANV Muntean		Standardisation MUNTEANV Muntean		Date 2018-12-18		State Final Release	
	Department HCS - RO		Title M12 Cable Assembly A-cod an/- f/-									
HARTING Customised Solutions		D-32339 Espelkamp		Type TB		Number 21348700585XXX				Rev. C		Page 1/1