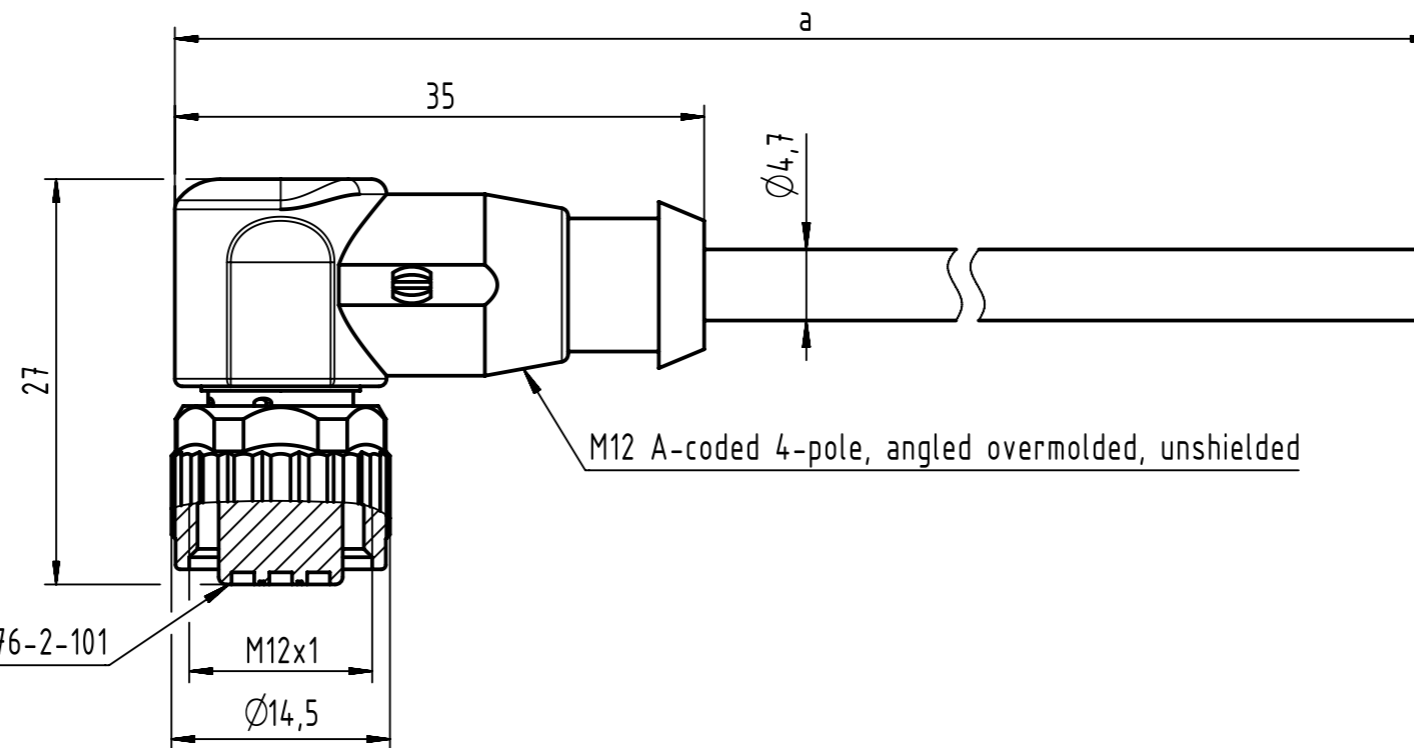


Connector Location A

Connector Location B



E500416



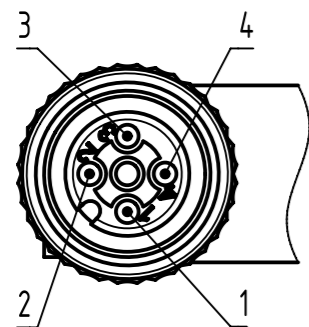
Mating face acc. to IEC 61076-2-101

M12x1

Ø14,5

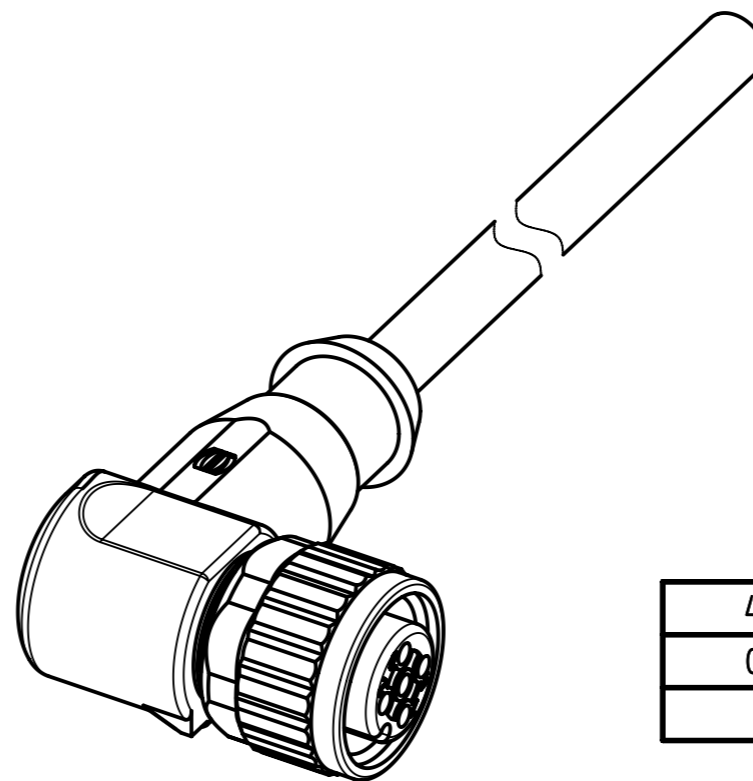


X female



Loading-Plan:

- 1 — brown
- 2 — white
- 3 — blue
- 4 — black



4.0 to 40	±1%
0.1 to 3.9	+0.04
a [m]	Tolerance

length in "1m" step	40	XXX=40
	39	XXX=39
	.	.
	12	XXX=120
	11	XXX=110
length in "0.1m" step	10	XXX=100
	9.9	XXX=099
	9.8	XXX=098
	.	.
	0.4	XXX=004
	0.3	XXX=003
	0.2	XXX=002
0.1	XXX=001	
Step	a [m]	XXX

PUR black, 4x0.34mm²

21348700491XXX

Type of cable

Part no.

- Protection level: IP65/67
- Temperature range: -25°C ... +80°C

	All Dimensions in mm	Tech. Character.		Free size tol.		According to production drawing	
	All rights reserved Department HCS - RO	Created by COSTEA Costea	Inspected by MUNTEANV Muntean	Standardisation MUNTEANV Muntean	Date 2019-01-11	State Final Release	
HARTING Customised Solutions D-32339 Espelkamp		Title M12 Cable Assembly A-cod an/- f/-				Doc-Key / ECM-Nr. 100806860/UGD/009/A 500000145017	
		Type TB	Number 21348700491XXX		Rev. A	Page 1/1	