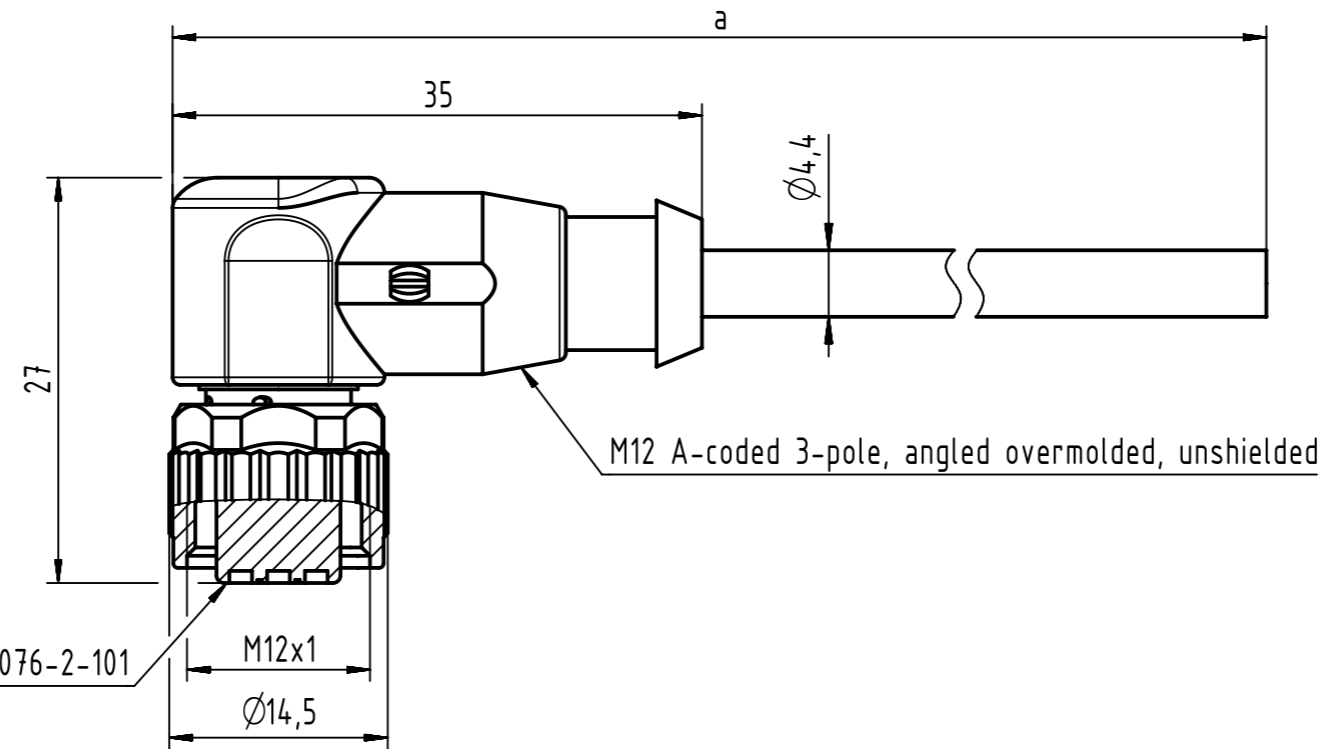
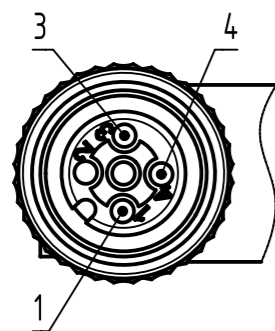


Connector Location A

Connector Location B

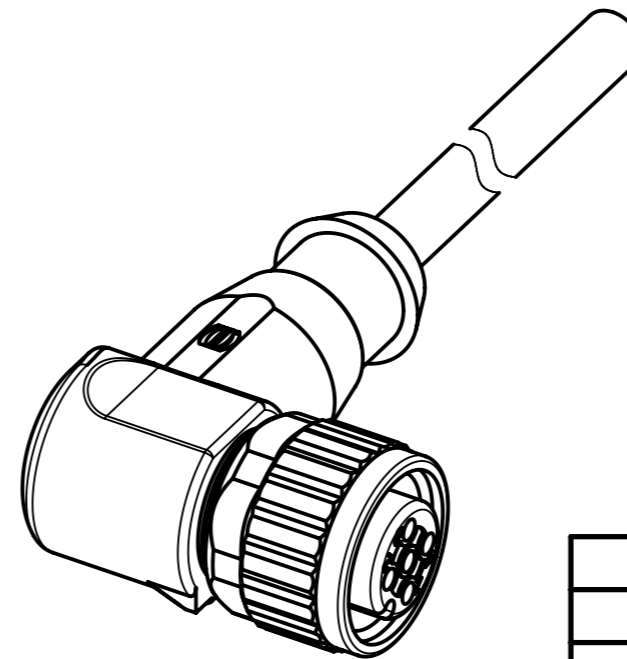


X female



Loading-Plan:

- 1 — brown
- 3 — blue
- 4 — black



- Protection level: IP67
- Temperature range: -25°C ... +80°C

4.0 to 40	±1%
0.1 to 3.9	+0.04
a [m]	Tolerance

length in "1m" step	40	XXX=40
	39	XXX=39
	.	.
	12	XXX=120
	11	XXX=110
length in "0.1m" step	10	XXX=100
	9.9	XXX=099
	9.8	XXX=098
	.	.
	0.4	XXX=004
	0.3	XXX=003
	0.2	XXX=002
0.1	XXX=001	
Step	a [m]	XXX

PVC grey, 3x0.34mm ²	21348700383XXX
Type of cable	Part no.

	All rights reserved		Created by COSTEA		Inspected by MUNTEANV		Standardisation MUNTEANV		Date 2019-01-11		State Final Release		
	Department HCS - RO		Costea		Muntean		Muntean						
HARTING Customised Solutions		Title M12 Cable Assembly A-cod an/- f/-										Doc-Key / ECM-Nr. 100578809/UGD/009/C 500000145017	
D-32339 Espelkamp		Type TB		Number 21348700383XXX				Rev. C		Page 1/1			