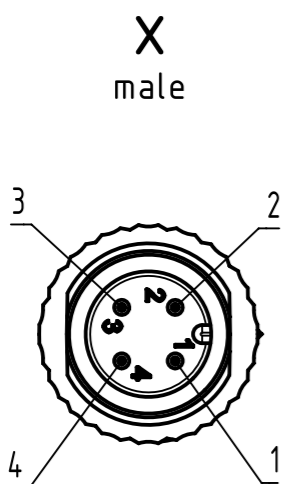
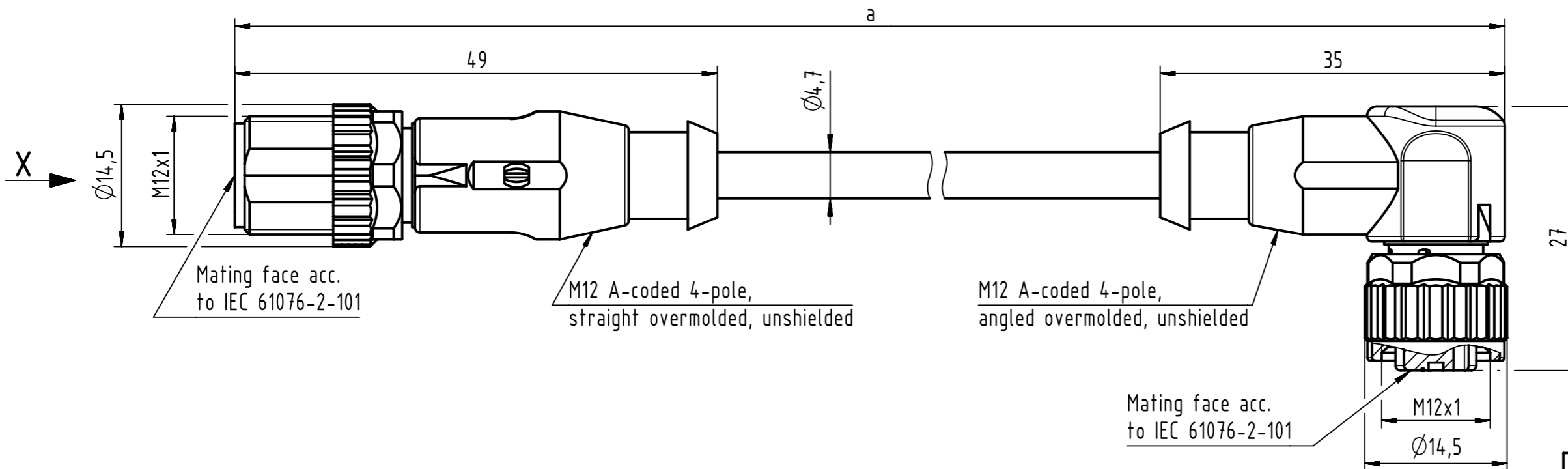


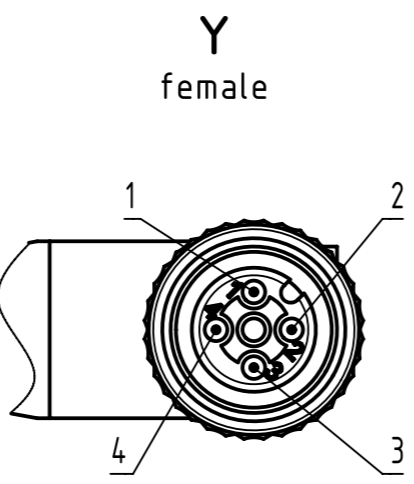
Connector Location A

Connector Location B

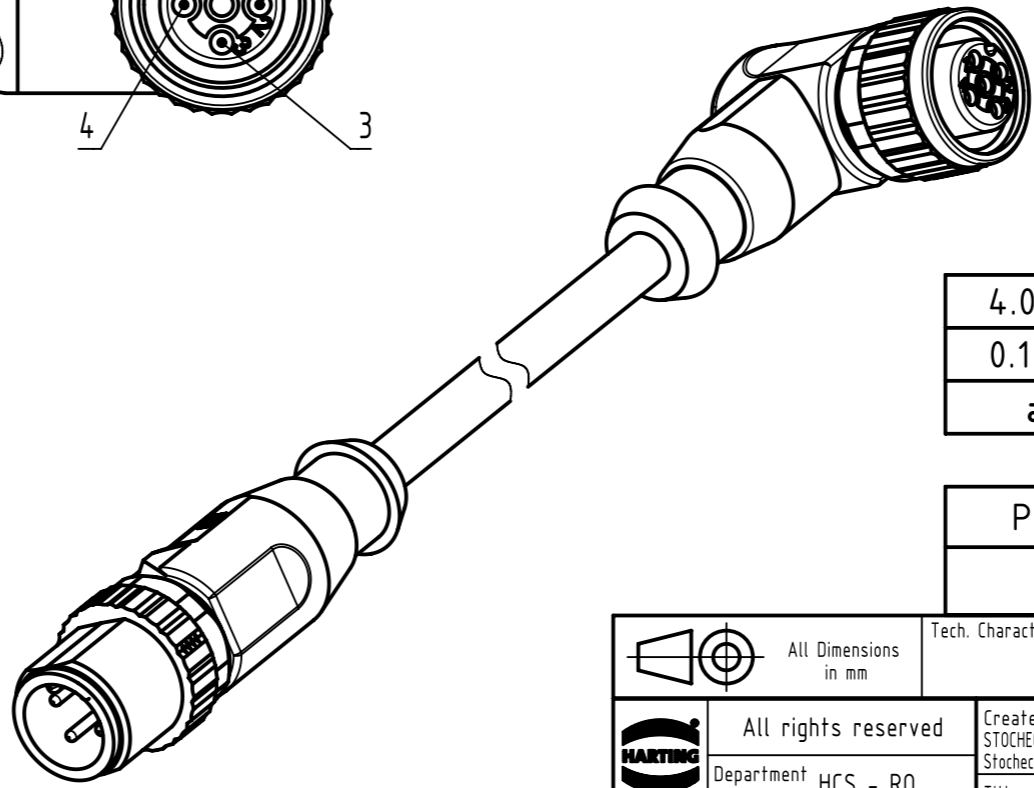


Loading-Plan

1	brown	1
2	white	2
3	blue	3
4	black	4



- Protection level: IP65/67
 - Temperature range: -25°C ... +80°C



4.0 to 40	±1%
0.1 to 3.9	+0.04
a [m]	Tolerance

length in "1m" step	40	XXX=400
	39	XXX=390
	.	.
	12	XXX=120
length in "0.1m" step	11	XXX=110
	10	XXX=100
	9.9	XXX=099
	9.8	XXX=098
	.	.
	0.4	XXX=004
	0.3	XXX=003
	0.2	XXX=002
0.1	XXX=001	
Step	a [m]	XXX

PVC grey, 4x0.34mm ²	21348487484XXX
Type of cable	Part no.

All Dimensions in mm		Tech. Character.		Free size tol.		According to production drawing	
All rights reserved		Created by STOCHECIC Stocheci	Inspected by COSTEA Costea	Standardisation MUNTEANV Muntean	Date 2018-12-14	State Final Release	
Department HCS - RO		Title M12 Cable Assembly A-cod st/an m/f				Doc-Key / ECM-Nr. 100578701/UGD/009/D 500000144869	
HARTING Customised Solutions D-32339 Espelkamp		Type TB	Number 21348487484XXX		Rev. D	Page 1/1	