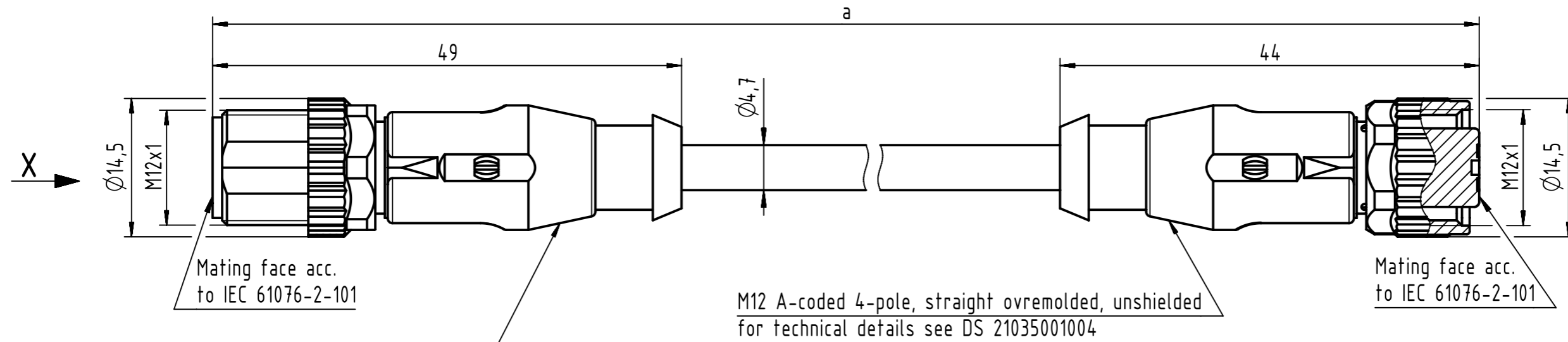


Connector Location A

Connector Location B

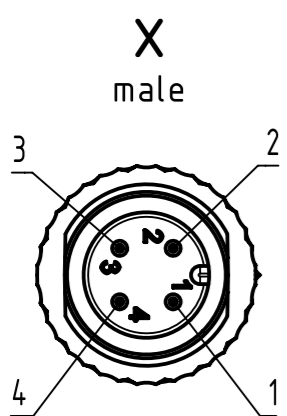


Mating face acc. to IEC 61076-2-101

M12 A-coded 4-pole, straight overmolded, unshielded for technical details see DS 21035001004

Mating face acc. to IEC 61076-2-101

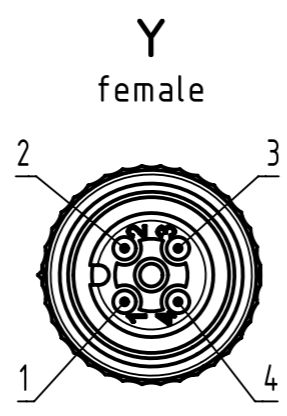
M12 A-coded 4-pole, straight overmolded, unshielded for technical details see DS 21035001005



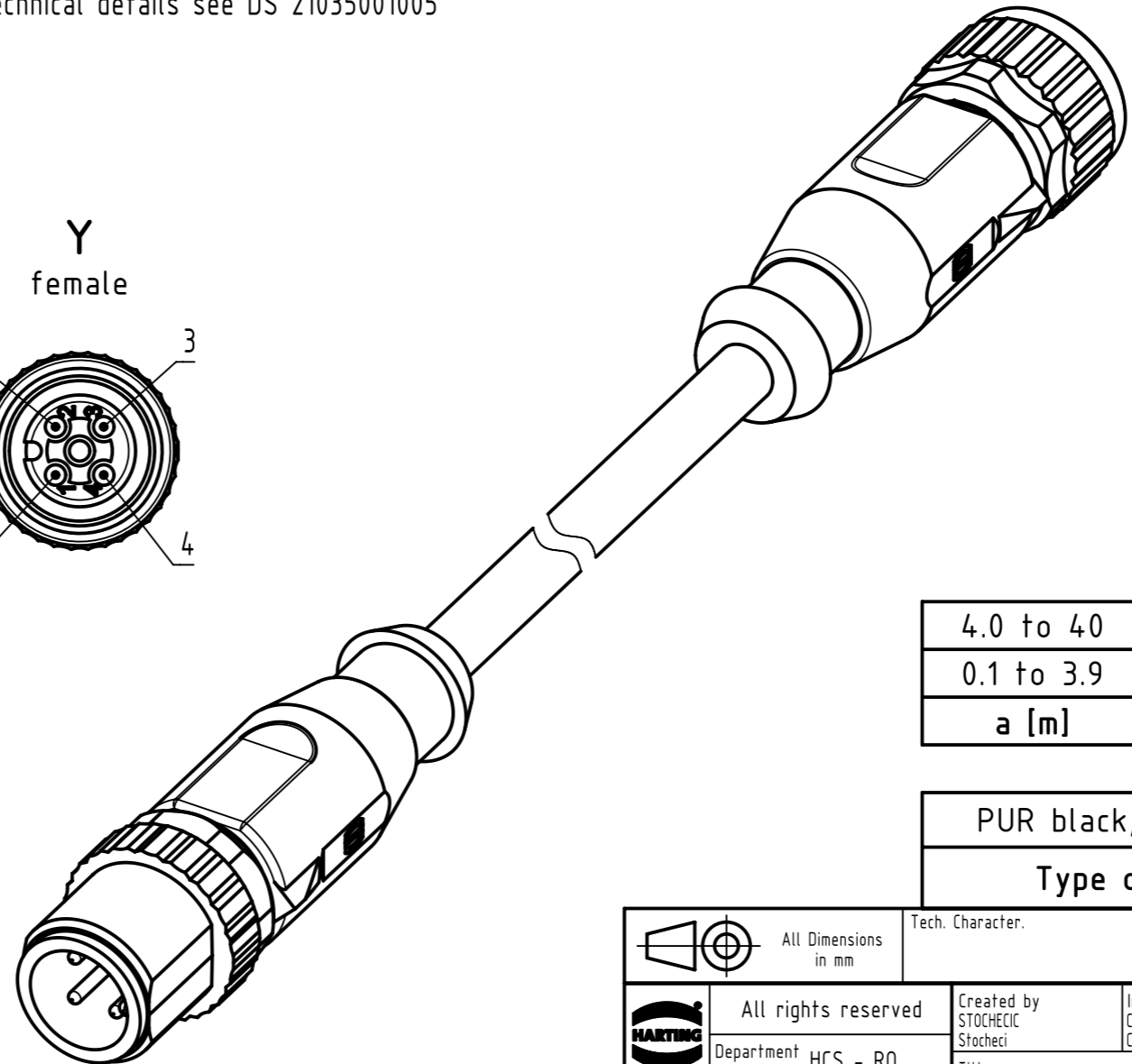
X male

Loading-Plan

- 1 brown 1
- 2 white 2
- 3 blue 3
- 4 black 4



Y female



length in "1m" step	40	XXX=400
	39	XXX=390
	.	.
	12	XXX=120
	11	XXX=110
length in "0.1m" step	10	XXX=100
	9.9	XXX=099
	9.8	XXX=098
	.	.
	0.4	XXX=004
	0.3	XXX=003
	0.2	XXX=002
0.1	XXX=001	
Step	a [m]	XXX

4.0 to 40	±1%
0.1 to 3.9	+0.04
a [m]	Tolerance

PUR black, 4x0.34mm ²	21348485491XXX
Type of cable	Part no.

- Protection level: IP65/67
 - Temperature range: -25°C ... +80°C

All rights reserved Department HCS - RO HARTING Customised Solutions D-32339 Espelkamp	All Dimensions in mm Tech. Character. Free size tol. According to production drawing	Created by STOCEVIC Stoceci	Inspected by COSTEA Costea	Standardisation MUNTEANV Muntean	Date 2018-12-14	State Final Release	Doc-Key / ECM-Nr. 100806212/UGD/009/A 500000144869
	Title M12 Cable Assembly A-cod st/st m/f	Type TB	Number 21348485491XXX	Rev. A	Page 1/1		