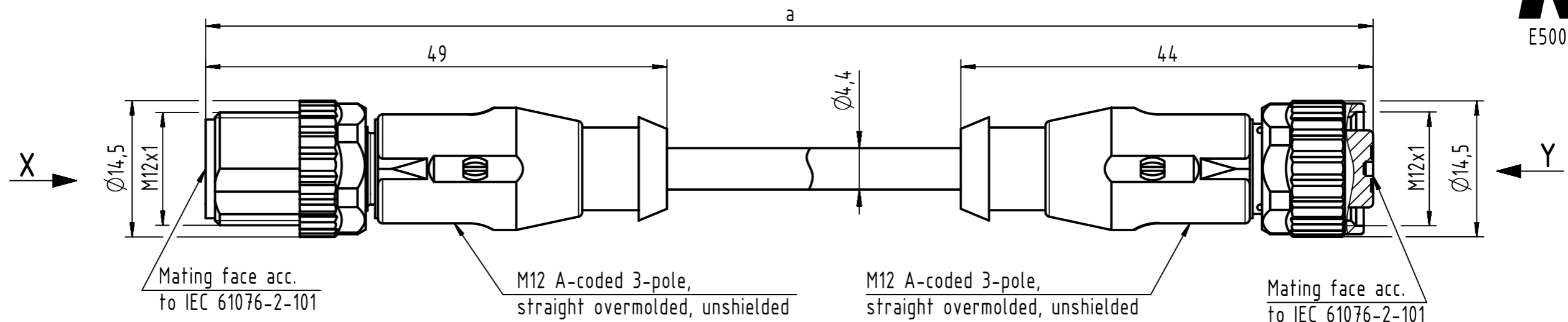


Connector Location A

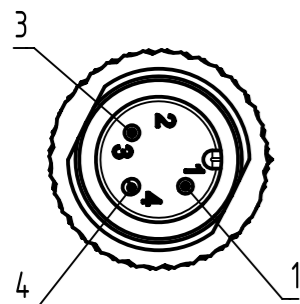
Connector Location B



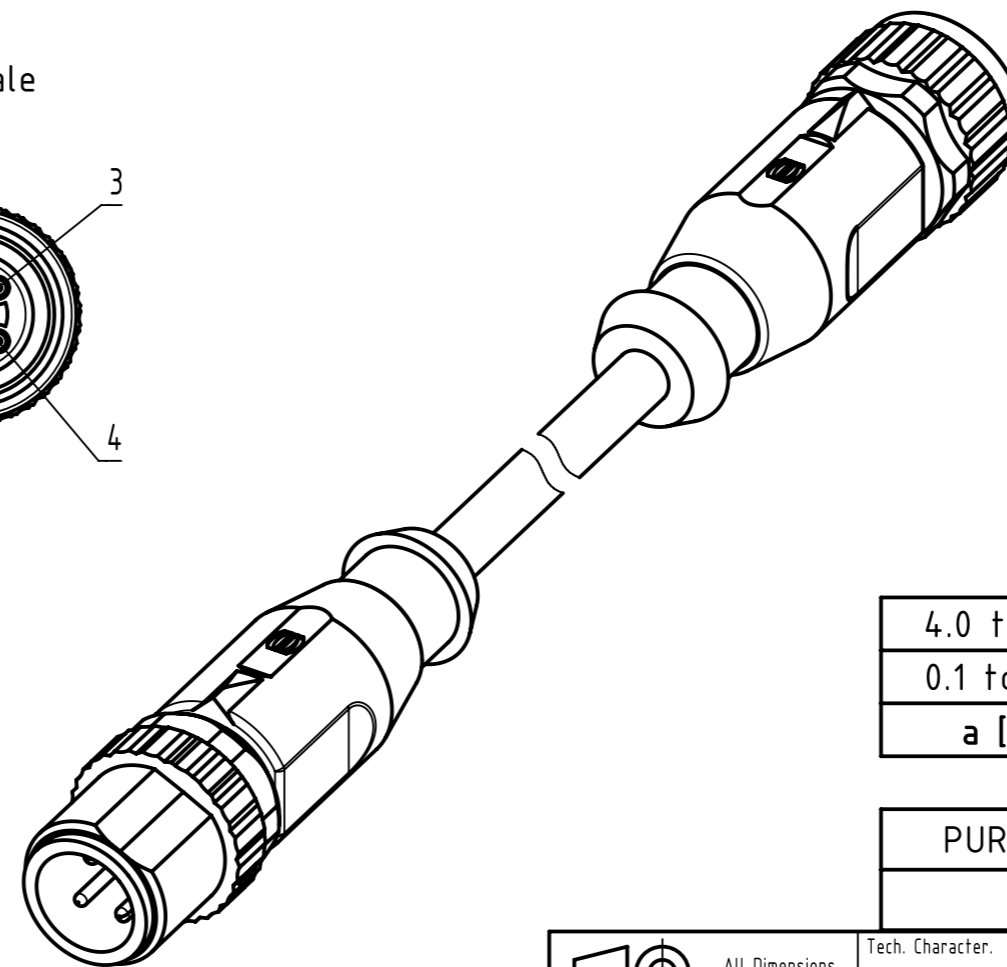
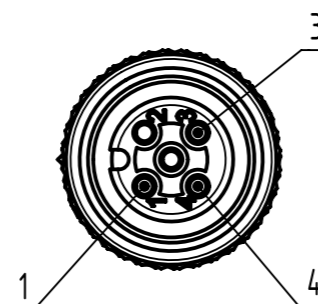
X male

Y female

Loading-Plan



- 1 brown 1
- 3 blue 3
- 4 black 4



- Protection level: IP67  
- Temperature range: -25°C ... +80°C

length in "1m" step	40	XXX=400
	39	XXX=390
	.	.
length in "0.1m" step	12	XXX=120
	11	XXX=110
	10	XXX=100
	9.9	XXX=099
	9.8	XXX=098
	.	.
	0.4	XXX=004
0.3	XXX=003	
0.2	XXX=002	
0.1	XXX=001	
Step	a [m]	XXX

4.0 to 40	±1%
0.1 to 3.9	+0.04
a [m]	Tolerance

PUR black, 3x0.34mm <sup>2</sup>	21348485390XXX
Type of cable	Part no.

All Dimensions in mm		Tech. Character.		Free size tol.		According to production drawing	
All rights reserved Department HCS - RO HARTING Customised Solutions D-32339 Espelkamp	Created by STOCHECIC Stochei	Inspected by COSTEA Costea	Standardisation MUNTEANV Muntean	Date 2018-12-14	State Final Release		Doc-Key / ECM-Nr. 100806188/UGD/009/A 500000144865 Rev. A Page 1/1
	Title M12 Cable Assembly A-cod st/st m/f			Type TB	Number 21348485390XXX		