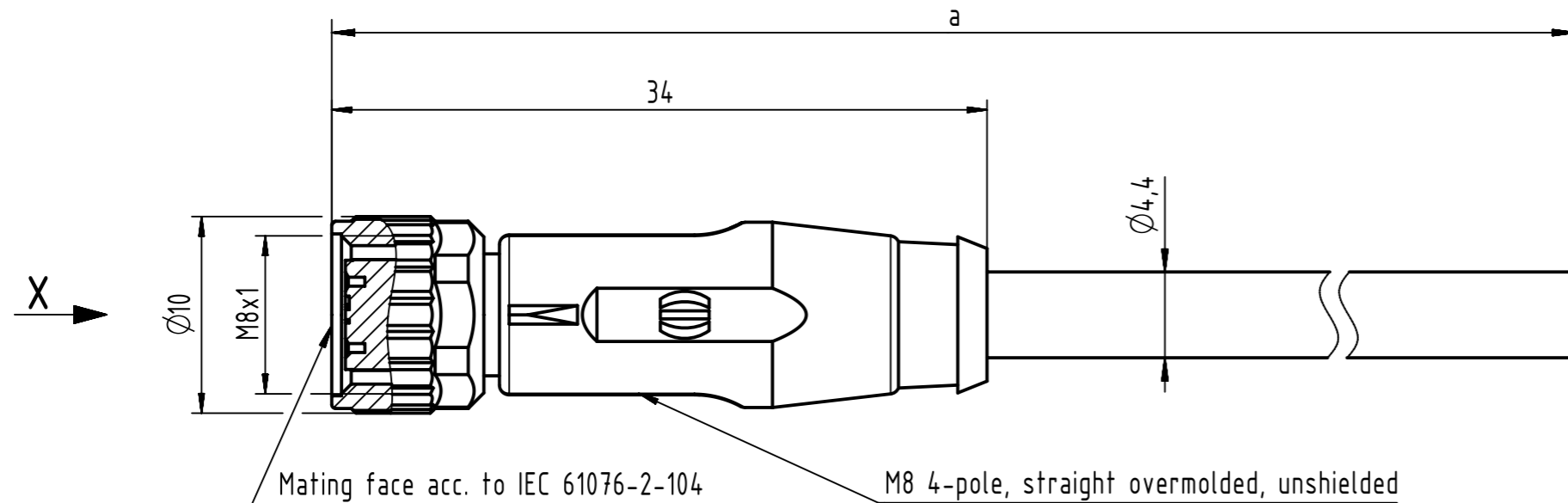


Connector Location A

Connector Location B

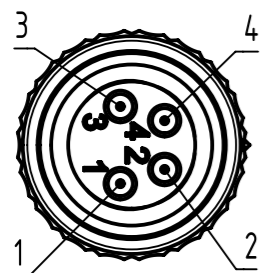


Mating face acc. to IEC 61076-2-104

M8 4-pole, straight overmolded, unshielded

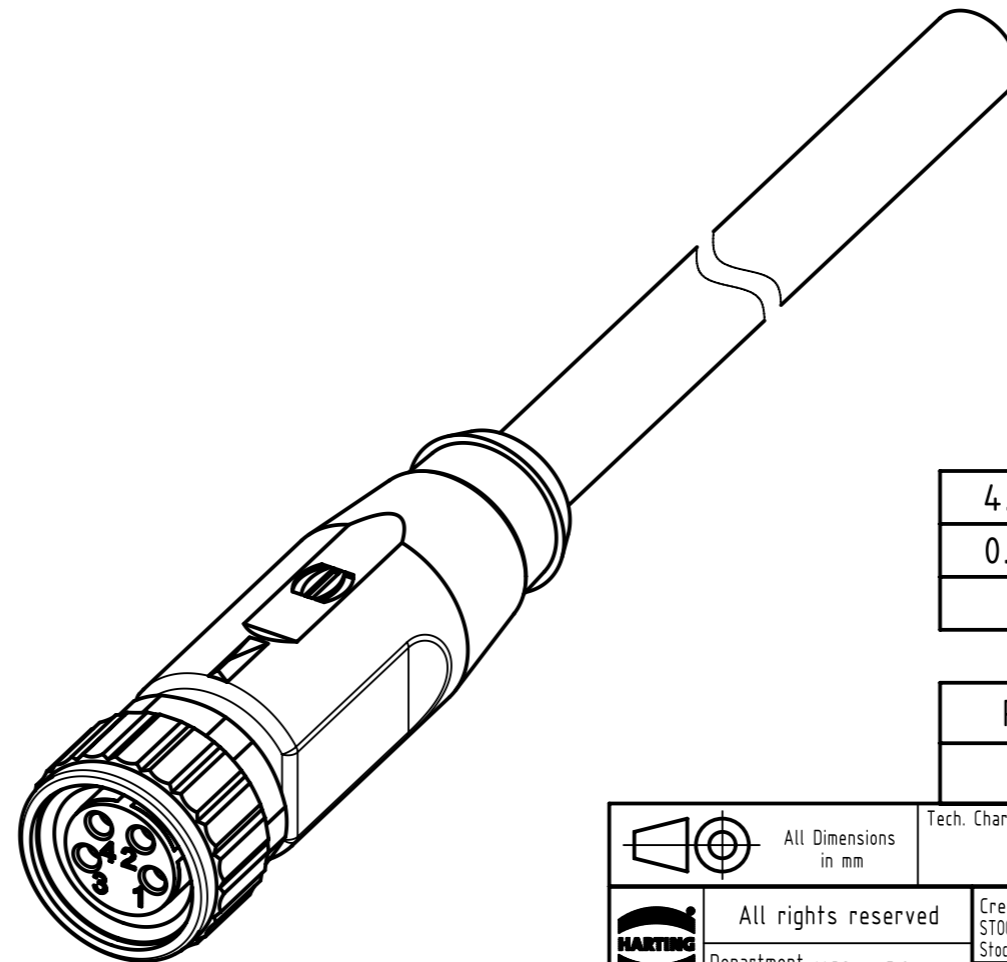
X female

Loading-Plan



- 1 brown
- 2 white
- 3 blue
- 4 black

- Protection level: IP67
- Temperature range: -25°C ... +80°C



length in "1m" step	40	XXX=400
	39	XXX=390
	.	.
	12	XXX=120
length in "0.1m" step	11	XXX=110
	10	XXX=100
	9.9	XXX=099
	9.8	XXX=098
	.	.
	0.4	XXX=004
	0.3	XXX=003
	0.2	XXX=002
	0.1	XXX=001
Step	a [m]	XXX

4.0 to 40	±1%
0.1 to 3.9	+0.04
a [m]	Tolerance

PUR black, 4x0.25mm ²	21348100489XXX
Type of cable	Part no.

All rights reserved Department HCS - RO HARTING Customised Solutions D-32339 Espelkamp	All Dimensions in mm Tech. Character. Free size tol. According to production drawing		Created by STOCECIC Stoceci		Inspected by COSTEA Costea		Standardisation MUNTEANV Muntean		Date 2019-01-11		State Final Release	
	Title M8 Cable Assembly 4-poles st/- f/-								Doc-Key / ECM-Nr. 100809670/UGD/009/A 500000145294			
				Type TB		Number 21348100489XXX		Rev. A		Page 1/1		