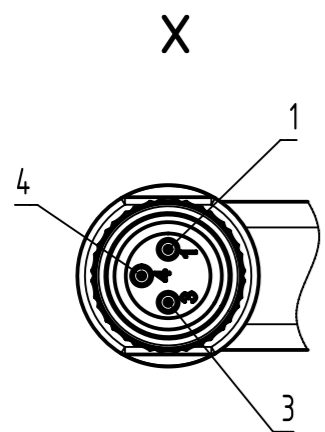
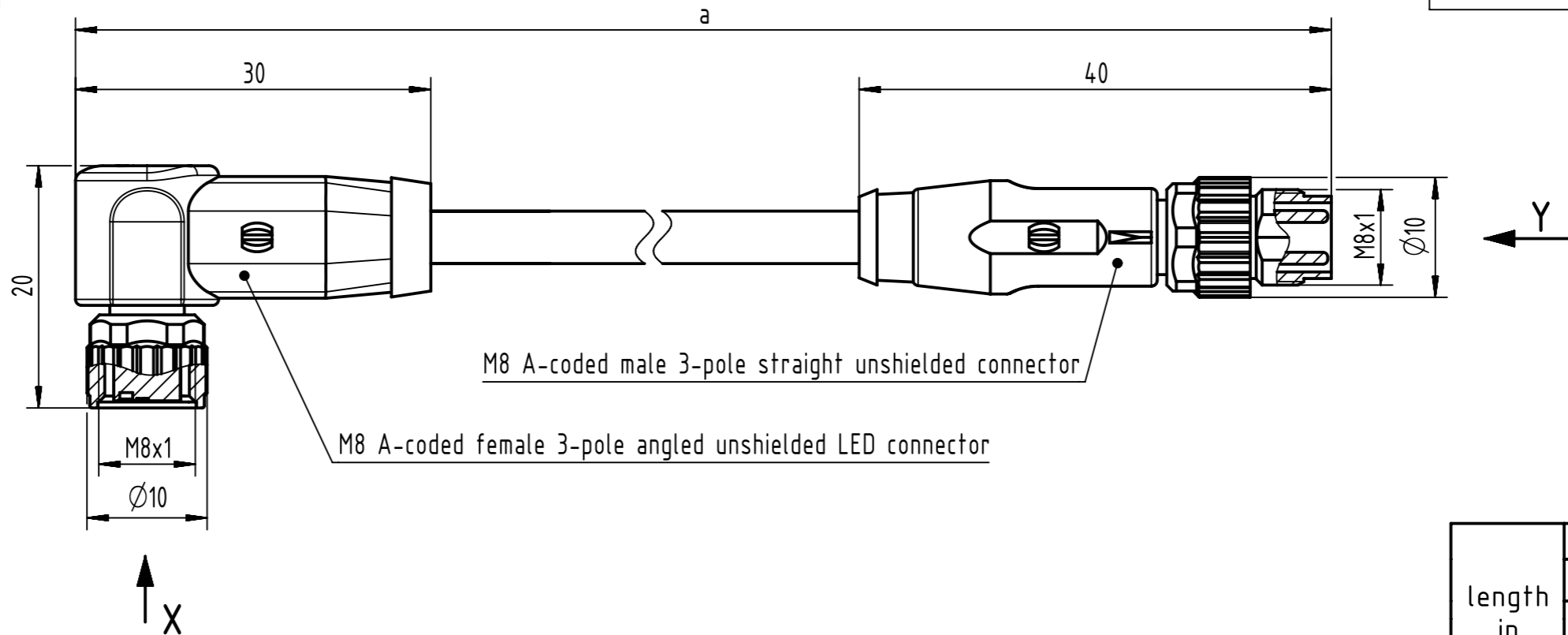


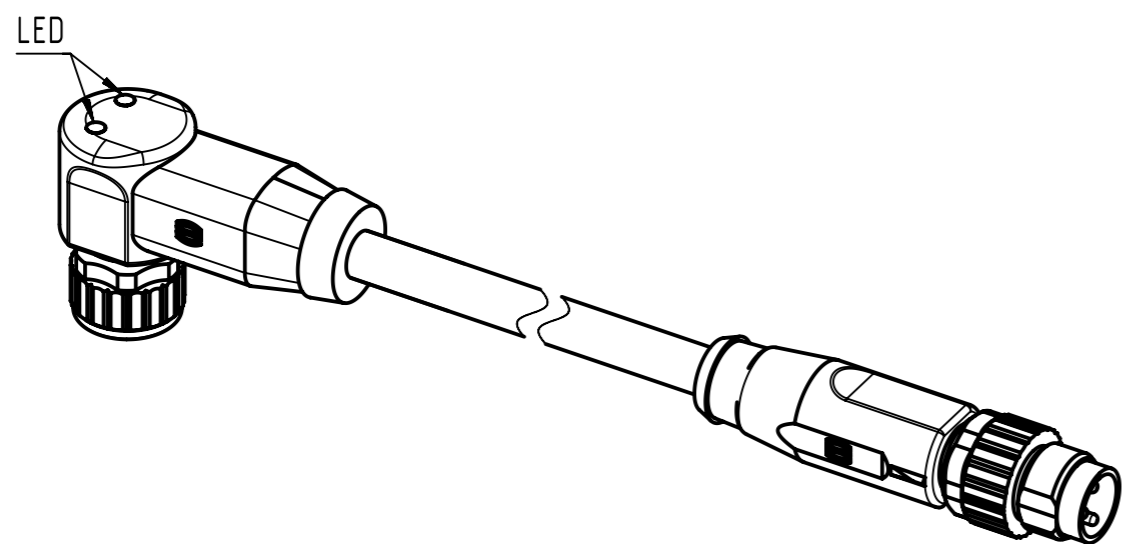
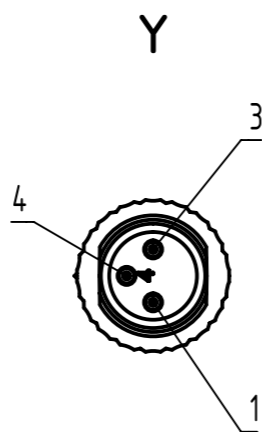
Connector Location A

Connector Location B



Loading-Plan

1	brown	1
3	blue	3
4	black	4



length in "1m" step	100	XXX=000
	99	XXX=990
	.	.
	12	XXX=120
	11	XXX=110
length in "0.1m" step	10	XXX=100
	9.9	XXX=099
	9.8	XXX=098
	.	.
	0.4	XXX=004
	0.3	XXX=003
	0.2	XXX=002
0.1	XXX=001	
Step	a[m]	XXX

4.0 to 100	±1%
0.1 to 3.9	+0.04
a [m]	Tolerance

3x0.25mm ² , black	213480A0390XXX
Type of cable	Part no.

	All rights reserved	Created by	Inspected by	Standardisation	Date	State
	Department HCS - RO	COSTEA	MUNTEANV	AVRAM	2017-04-24	Final Release
HARTING Customised Solutions		Title			Doc-Key / ECM-Nr.	
D-32427 Minden		M8 A-coded Cable Assembly			100686163/UGD/000/B 500000118424	
		Type	Number	Rev.		Page
		TB	213480A0390XXX	B		1/1