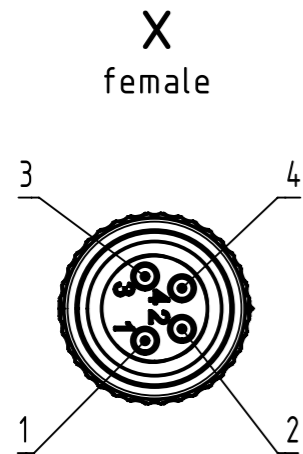
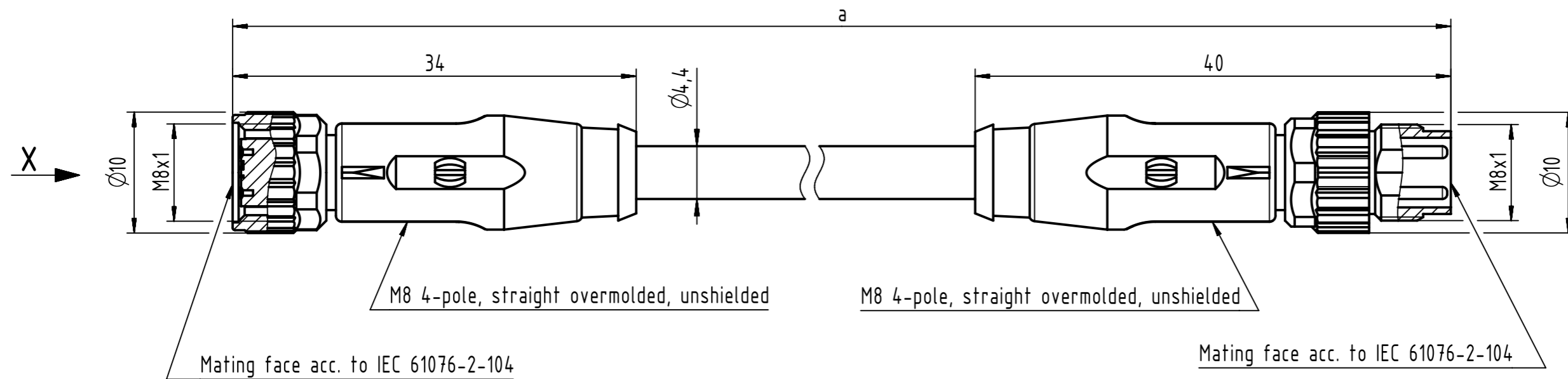


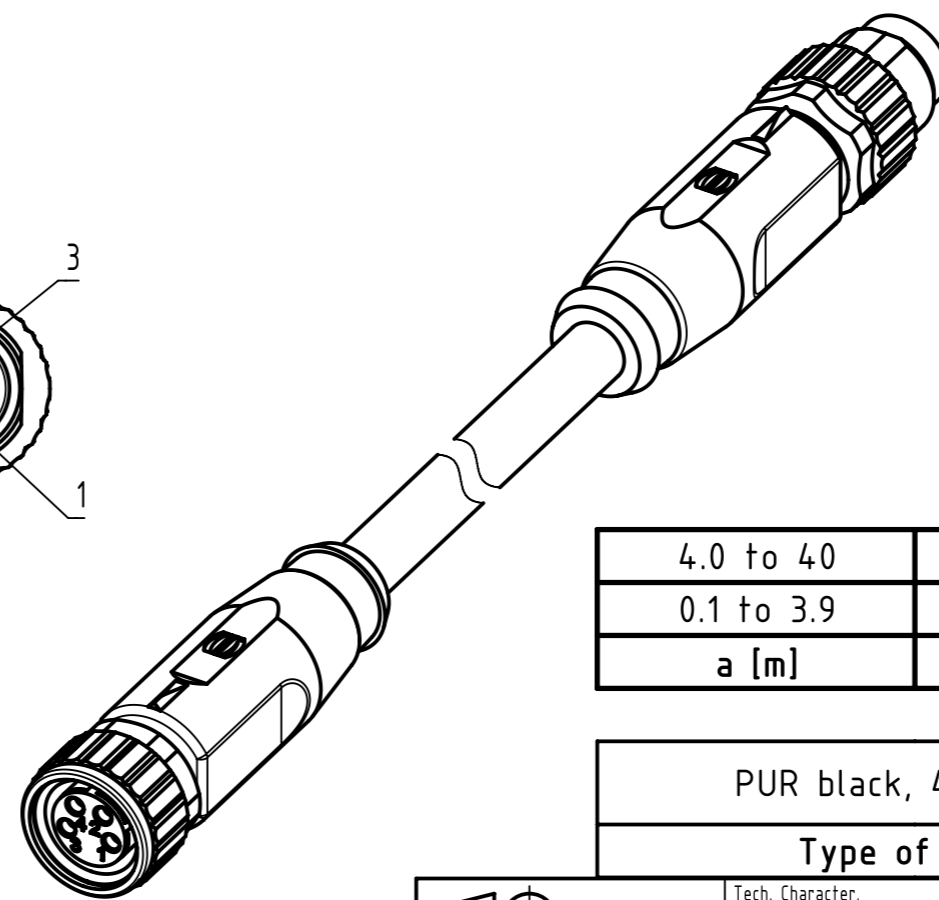
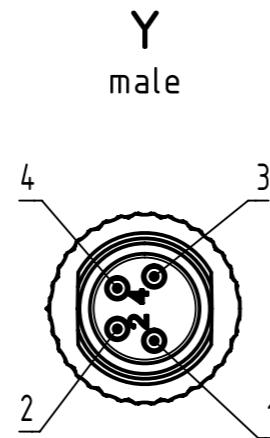
Connector Location A

Connector Location B



Loading-Plan:

- 1 — brown — 1
- 2 — white — 2
- 3 — blue — 3
- 4 — black — 4



- Protection level: IP67  
 - Temperature range: -25°C ... +80°C

4.0 to 40	±1%
0.1 to 3.9	+0.04
<b>a [m]</b>	<b>Tolerance</b>

length in "1m" step	40	XXX=400
	39	XXX=390
	.	.
	12	XXX=120
	11	XXX=110
length in "0.1m" step	10	XXX=100
	9.9	XXX=099
	9.8	XXX=098
	.	.
	0.4	XXX=004
	0.3	XXX=003
	0.2	XXX=002
0.1	XXX=001	
<b>Step</b>	<b>a [m]</b>	<b>XXX</b>

PUR black, 4x0.25mm <sup>2</sup>	21348081489XXX
<b>Type of cable</b>	<b>Part no.</b>

	All Dimensions in mm	Tech. Character.	Free size tol.	According to production drawing	
	All rights reserved Department HCS - RO	Created by COSTEA Costea	Inspected by MUNTEANV Muntean	Standardisation MUNTEANV Muntean	Date 2018-12-18
HARTING Customised Solutions D-32339 Espelkamp		Title M8 Cable Assembly 4-poles st/st f/m			State Final Release
		Type TB	Number 21348081489XXX		Doc-Key / ECM-Nr. 100809540/UGD/009/A 500000145065
				Rev. A	Page 1/1