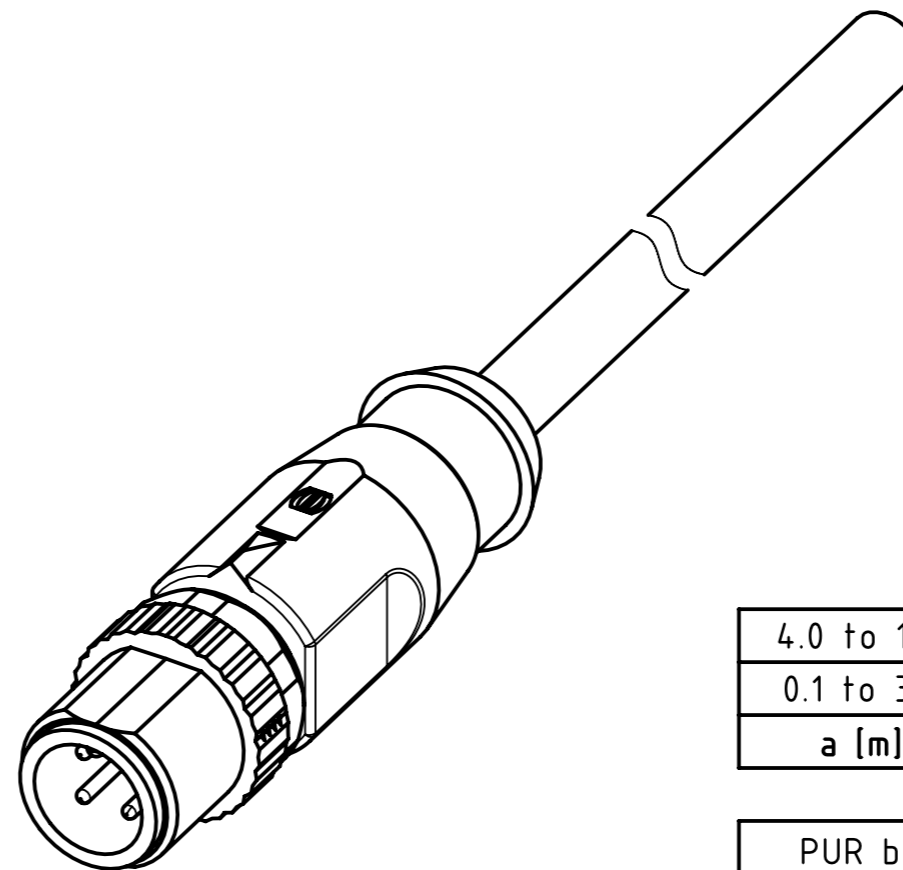
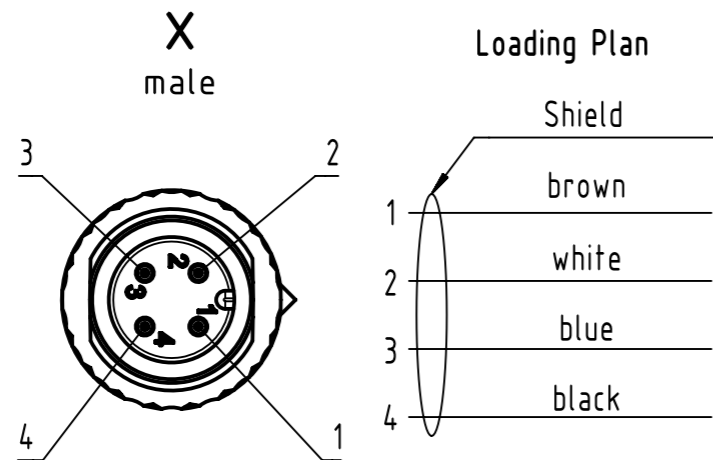
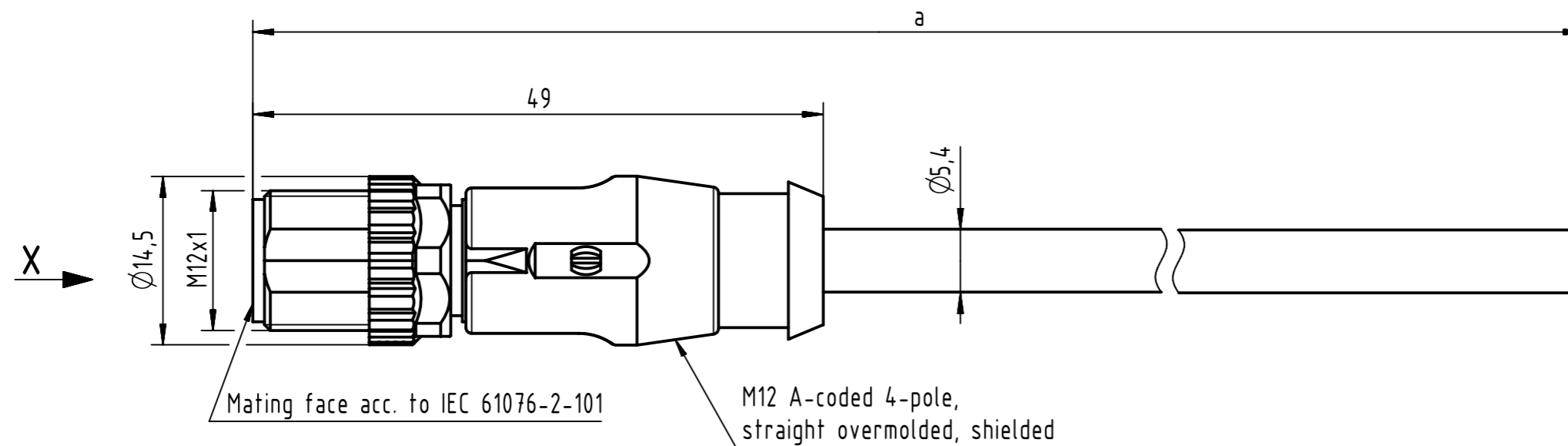


Connector Location A

Connector Location B



4.0 to 100	±1%
0.1 to 3.9	+0.04
<b>a [m]</b>	<b>Tolerance</b>

length in "1m" step	100	XXX=000
	99	XXX=990
	.	.
	12	XXX=120
	11	XXX=110
length in "0.1m" step	10	XXX=100
	9.9	XXX=099
	9.8	XXX=098
	.	.
	0.4	XXX=004
	0.3	XXX=003
	0.2	XXX=002
0.1	XXX=001	
<b>Step</b>	<b>a [m]</b>	<b>XXX</b>

PUR black, 4x0.34mm <sup>2</sup>	21347800474XXX
<b>Type of cable</b>	<b>Part no.</b>

- Protection level: IP67  
 - Temperature range: -25°C ... +80°C

All Dimensions in mm		Tech. Character.		Free size tol.		According to production drawing	
All rights reserved Department HCS - RO		Created by BANCIUD Banciu	Inspected by COSTEA Costea	Standardisation MUNTEANV Muntean	Date 2021-06-03	State Final Release	
HARTING Customised Solutions D-32339 Espelkamp		Title M12 A 4pol st/- m/- PUR				Doc-Key / ECM-Nr. 100947697/UGD/000/A 500000196096	
		Type TB	Number 21347800474XXX			Rev. A	Page 1/1