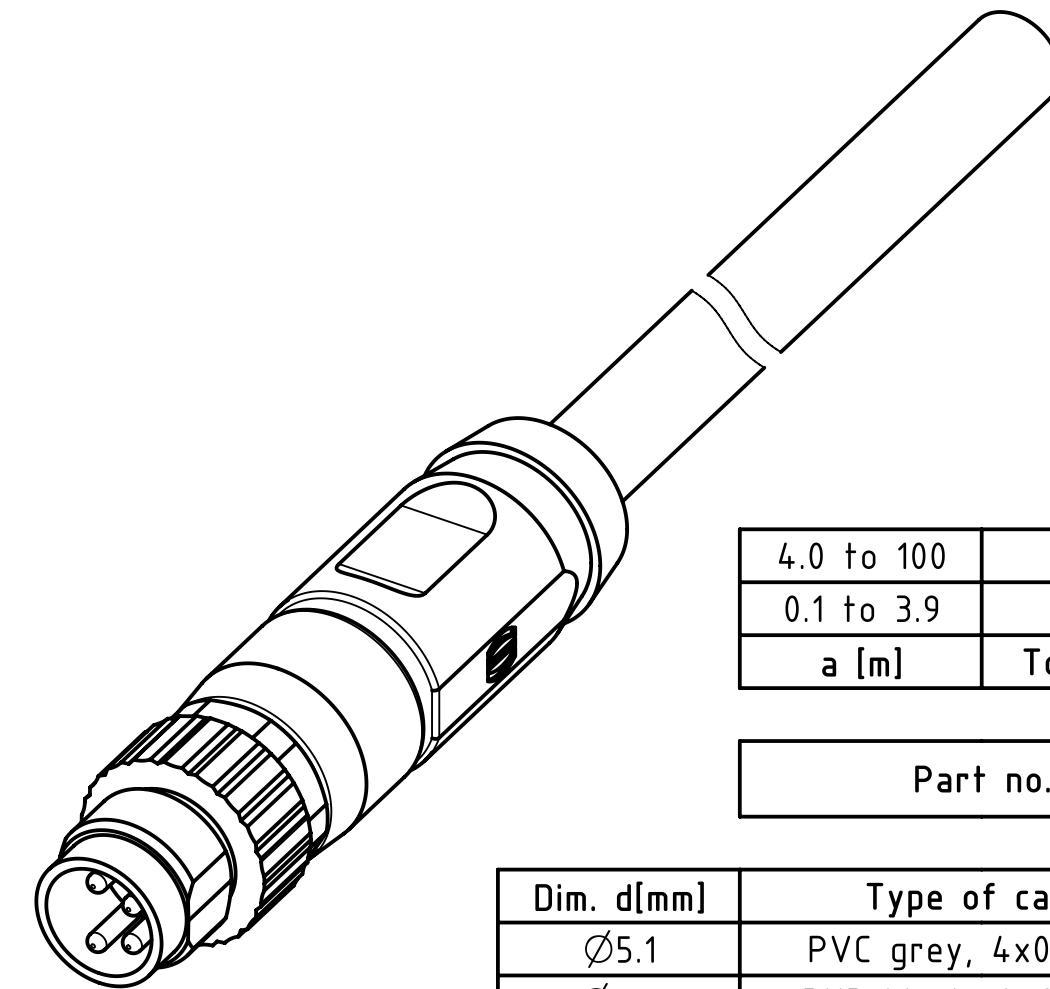
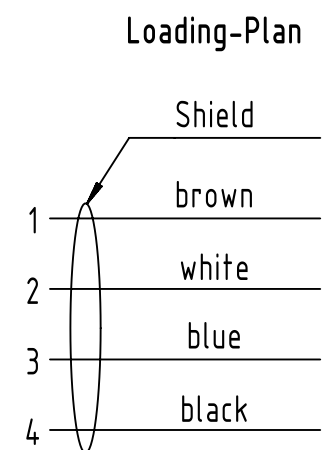
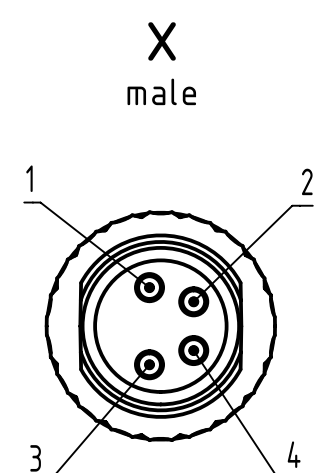
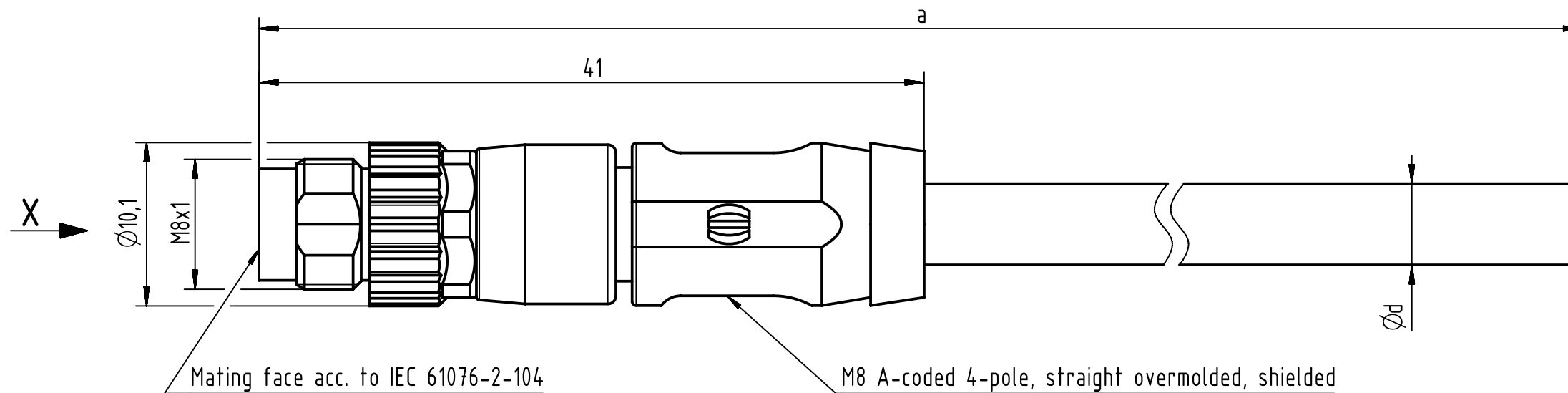


Connector Location A

Connector Location B



length in "1m" step	100	XXX=000
	99	XXX=990
	.	.
	12	XXX=120
length in "0.1m" step	11	XXX=110
	10	XXX=100
	9.9	XXX=099
	9.8	XXX=098
	.	.
	.	.
Step	0.4	XXX=004
	0.3	XXX=003
	0.2	XXX=002
	0.1	XXX=001
	a [m]	XXX

4.0 to 100	±1%
0.1 to 3.9	+0.04
a [m]	Tolerance

Part no.	213473004XXXXXX
----------	-----------------

Dim. d[mm]	Type of cable	XX
Ø5.1	PVC grey, 4x0.25mm <sup>2</sup>	XX=66
Ø5.0	PUR black, 4x0.25mm <sup>2</sup>	XX=67

- Protection level: IP67  
 - Temperature range: -25°C ... +80°C

All rights reserved Department HCS - RO HARTING Customised Solutions D-32339 Espelkamp	All Dimensions in mm Tech. Character. Free size tol. According to production drawing	Created by STOCEVIC Stoccheci	Inspected by COSTEA Costea	Standardisation MUNTEANV Muntean	Date 2018-12-17	State Final Release	Doc-Key / ECM-Nr. 100808991/UGD/000/A 500000144934
	Title M8 A-code 4pole st/- m/- shld	Type TB	Number 213473004XXXXXX	Rev. A	Page 1/1		