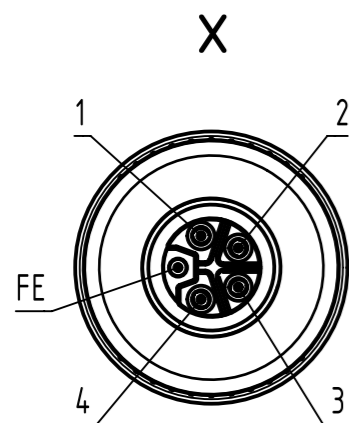
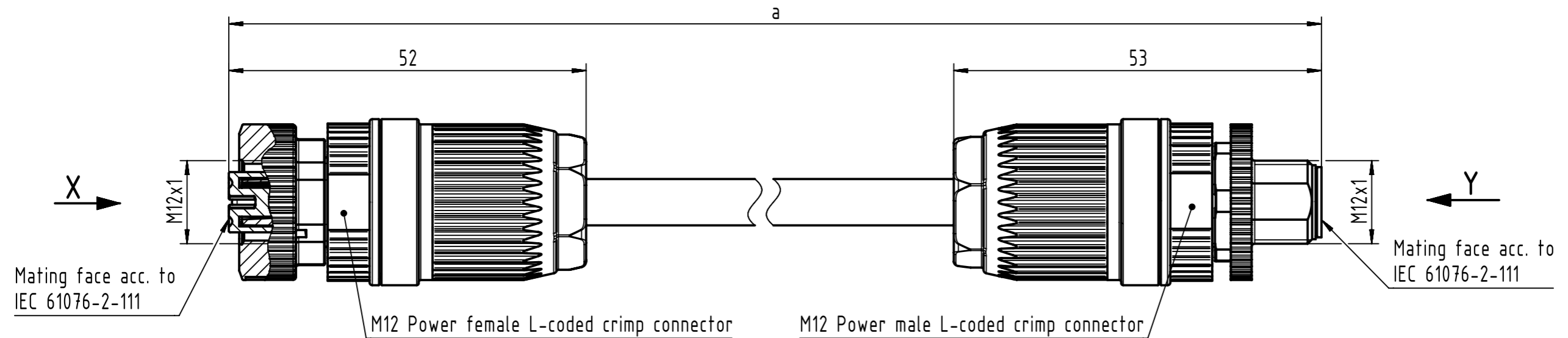
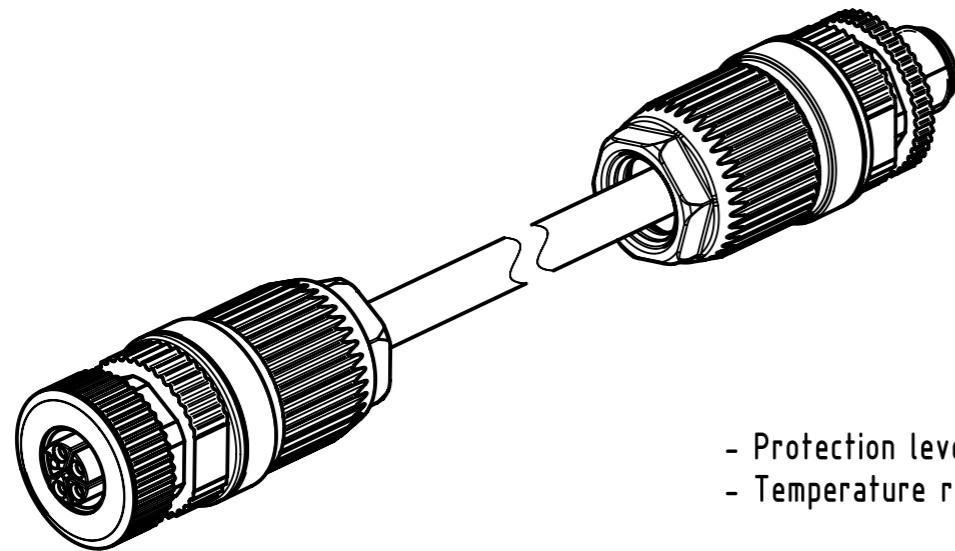
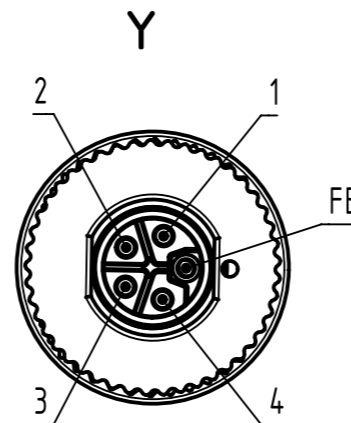
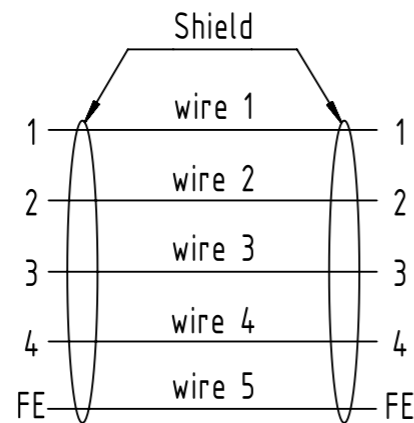


Connector Location A

Connector Location B



Loading-Plan:



- Protection level: IP65/67
 - Temperature range: -40°C ... +80°C

6.0 to 100	±1%
0.6 to 5.9	+0.04
0.2 to 0.5	+0.02
a [m]	Tolerance

length in "1m" step	100	XXX=000
	99	XXX=990
	.	.
	12	XXX=120
length in "0.1m" step	11	XXX=110
	10	XXX=100
	9.9	XXX=099
	9.8	XXX=098
	.	.
	0.5	XXX=005
	0.4	XXX=004
	0.3	XXX=003
0.2	XXX=002	
Step	a[m]	XXX

F-CY-OZ flexible, PVC grey, 5x1,5 mm ²	2133A7A8518XXX
Type of cable	Part no.

All rights reserved Department HCS - RO HARTING Customised Solutions D-32427 Minden	All Dimensions in mm Tech. Character. Free size tol. According to production drawing 2016-10-17	Created by COSTEA	Inspected by MUNTEANV	Standardisation AVRAM	Date 2016-10-19	State Final Release
	Title M12 L-coded Cable Assembly	Type TB	Number 2133A7A8518XXX	Doc-Key / ECM-Nr. 100684369/UGD/001/B 500000110419	Rev. B	Page 1/1