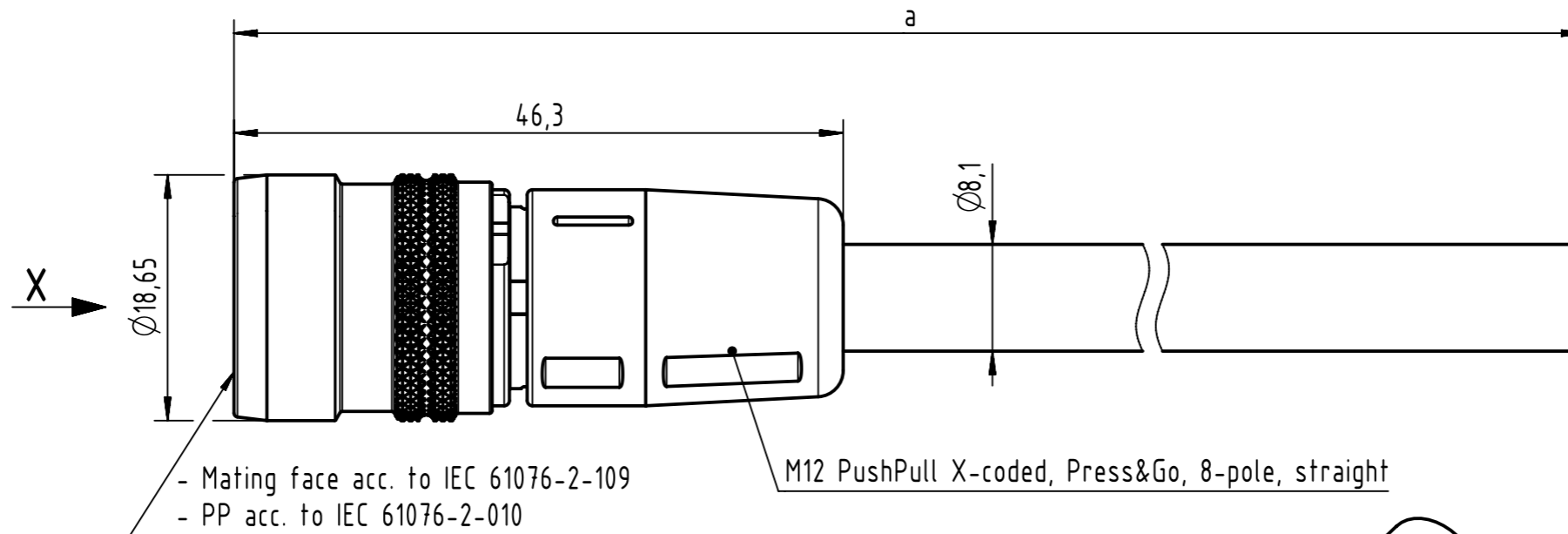


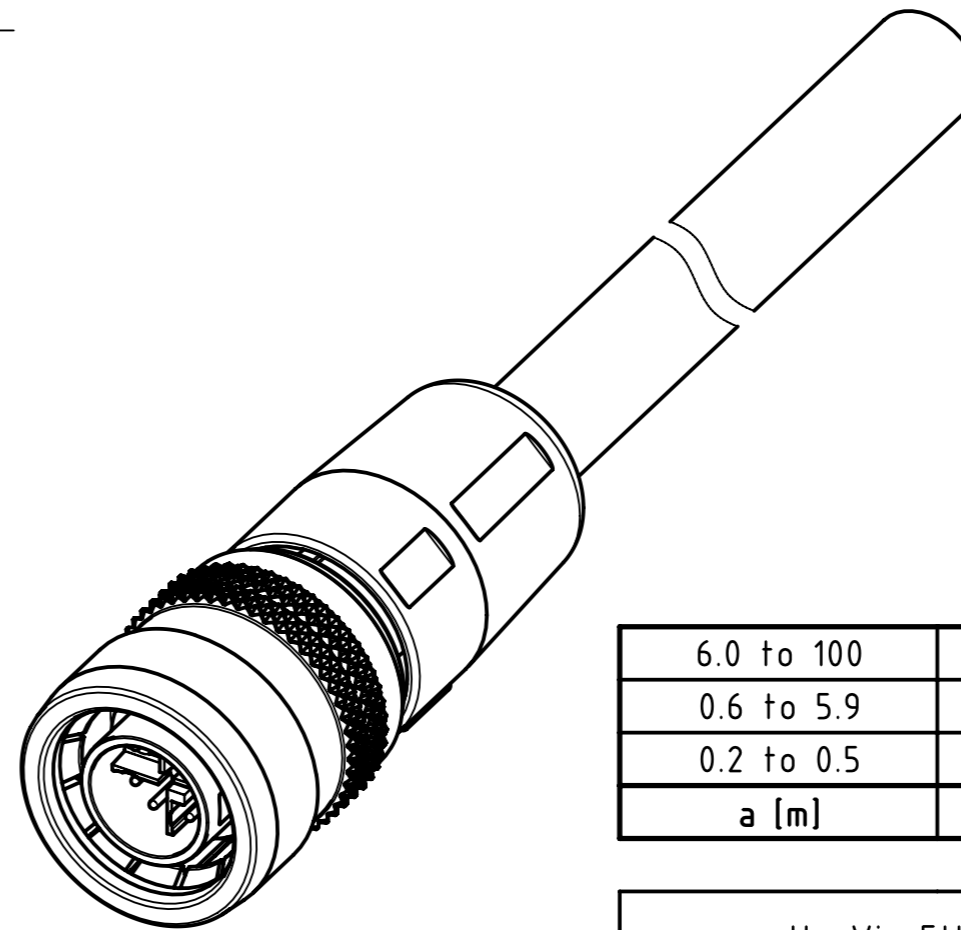
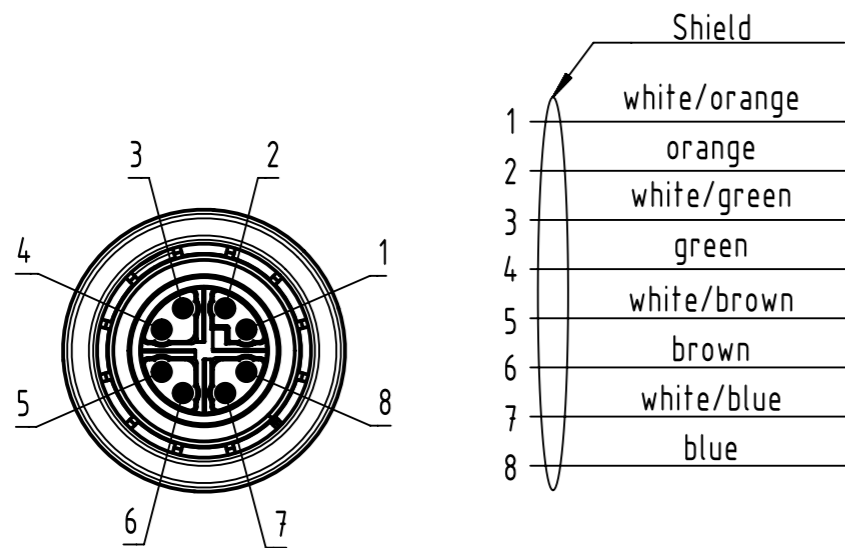
Connector Location A

Connector Location B



X
male

Loading Plan
acc. to TIA/EIA 568B



length in "1m" step	100	XXX=000
	99	XXX=990
	12	XXX=120
	11	XXX=110
length in "0.1m" step	10	XXX=100
	9.9	XXX=099
	9.8	XXX=098
	0.5	XXX=005
	0.4	XXX=004
	0.3	XXX=003
0.2	XXX=002	
Step	a [m]	XXX

6.0 to 100	±1%
0.6 to 5.9	+0.04
0.2 to 0.5	+0.02
a [m]	Tolerance

Ha-Vis EtherRail 4x2xAWG 24/7 CAT7 black	21332900853XXX
Type of cable	Part no.

- Protection level: IP65/67
- Temperature range: -40°C ... +80°C

	All rights reserved Department HCS - RO	Created by BANCIUD Banciu	Inspected by COSTEA Costea	Standardisation MUNTEANV Muntean	Date 2022-09-20	State Final Release
HARTING Customised Solutions D-32339 Espelkamp		Title M12 X-coded Cable Assembly		Doc-Key / ECM-Nr. 100655478/UGD/005/D 500000223561		Rev. D
		Type TB	Number 21332900853XXX		Page 1/1	