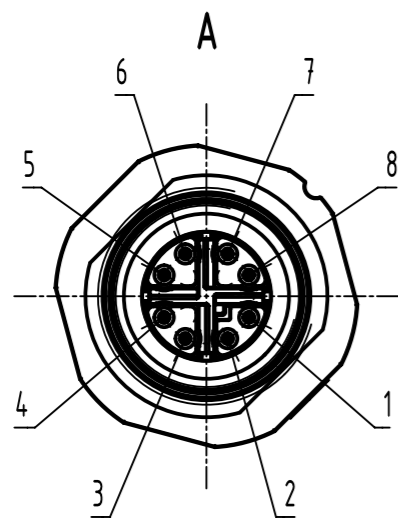
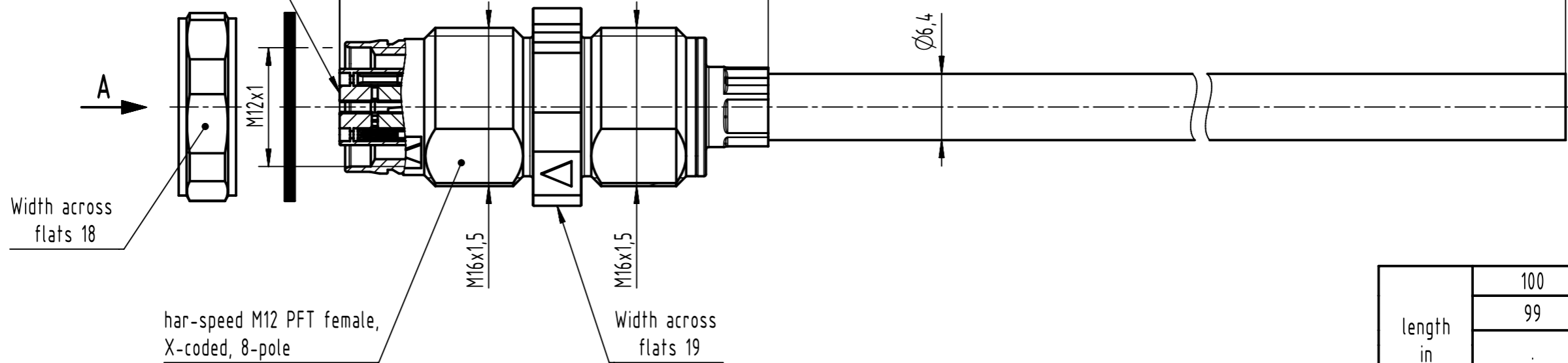
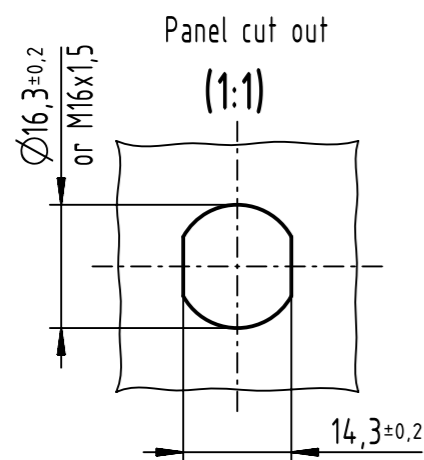


Mating face acc. to IEC 61076-2-109

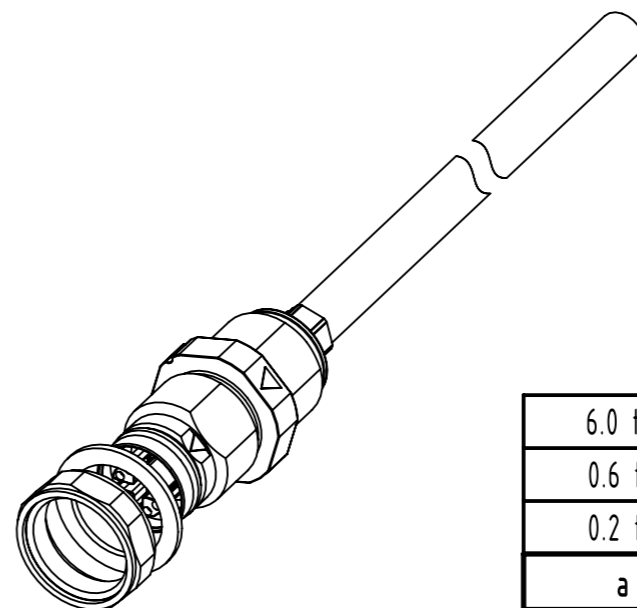


Loading-Plan

	Shield
1	White/orange
2	Orange
3	White/green
4	Green
5	White/brown
6	Brown
7	White/blue
8	Blue



- Temperature range: -40°C ... +70°C



6.0 to 100	±1%
0.6 to 5.9	+0.04
0.2 to 0.5	+0.02
a [m]	tolerance

length in "1m" step	100	XXX=000
	99	XXX=990
	.	.
	12	XXX=120
	11	XXX=110
length in "0.1m" step	10	XXX=100
	9.9	XXX=099
	9.8	XXX=098
	.	.
	.	.
	0.5	XXX=005
	0.4	XXX=004
	0.3	XXX=003
0.2	XXX=002	
step	a[m]	XXX

RJI Ethernet flexible cable, 4x2xAWG 26/7, Cat.7A, PUR, yellow	21330800850XXX
type of cable	part no.

	All rights reserved	Scale 2:1	Free size tol.	Ref.
	Department EL PD	Created by BALSAN	Inspected by FARCASIU	Sub.
HARTING D-32339 Espelkamp	Title har-speed M12 flying cable D=6,7			Doc-Key / ECM-Nr. 100608301/UGD/000/F 500000203232
	Type TB	Number 21330800850XXX	Date 2021-10-06	State Final Release
				Rev. F Page 1/1