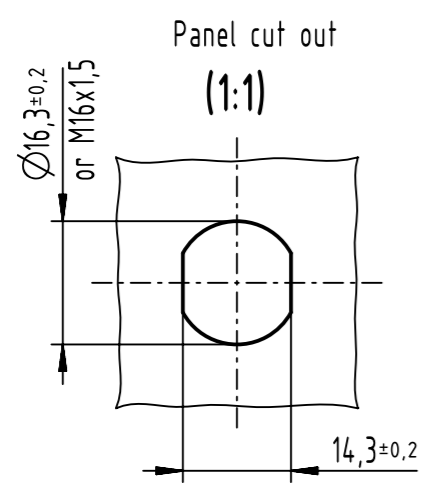
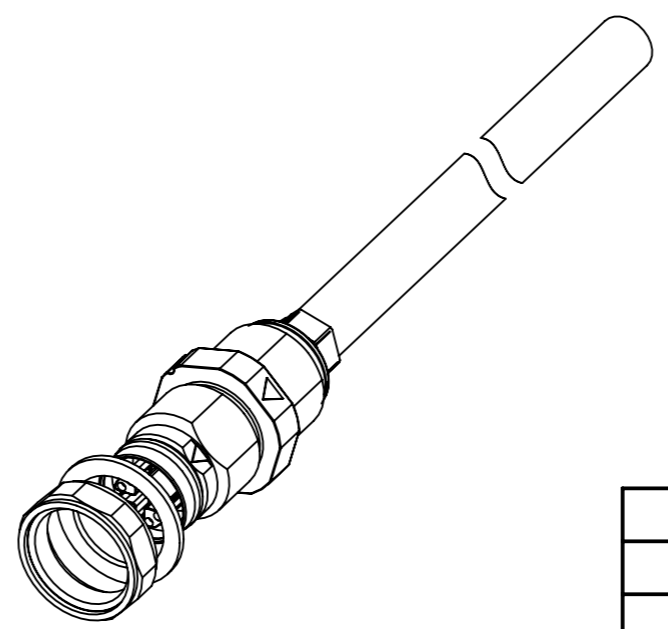


Loading-Plan

Shield
1 White/orange
2 Orange
3 White/green
4 Green
5 White/brown
6 Brown
7 White/blue
8 Blue



6.0 to 100	±1%
0.6 to 5.9	+0.04
0.2 to 0.5	+0.02
a [m]	tolerance

length in "1m" step	100	XXX=000
	99	XXX=990
	.	.
	12	XXX=120
	11	XXX=110
length in "0.1m" step	10	XXX=100
	9.9	XXX=099
	9.8	XXX=098
	.	.
	0.5	XXX=005
	0.4	XXX=004
	0.3	XXX=003
	0.2	XXX=002
step	a[m]	XXX

RJI Cable 4x2xAWG 24/7, EtherRail, CAT7, black	21330700853XXX
Type of cable	Part no.

<p>All rights reserved Department EL PD</p>	<p>All Dimensions in mm Original Size DIN A3</p>		<p>Scale 2:1</p>	<p>Free size tol.</p>	<p>Ref. Sub.</p>
	<p>Created by BALSAN</p>	<p>Inspected by FARCASIU</p>	<p>Standardisation ROEBEN</p>	<p>Date 2021-10-06</p>	<p>State Final Release</p>
<p>HARTING D-32339 Espelkamp</p>	<p>Title har-speed M12 flying cable D=8,1</p>				<p>Doc-Key / ECM-Nr. 100605359/UGD/000/F 500000203232</p>
<p>Type TB</p>	<p>Number 21330700853XXX</p>			<p>Rev. F</p>	<p>Page 1/1</p>