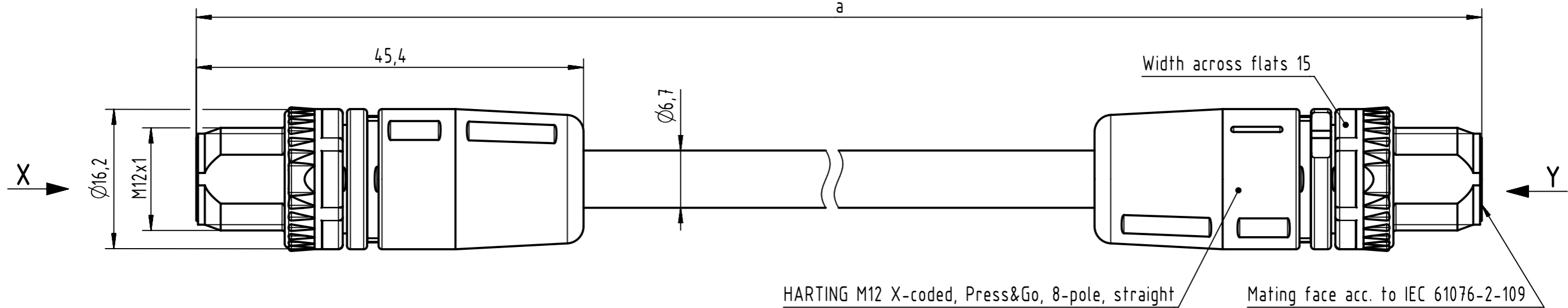
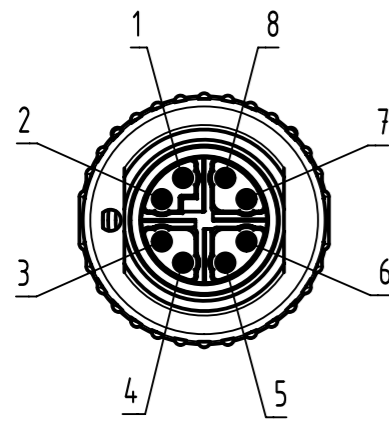


Connector Location A

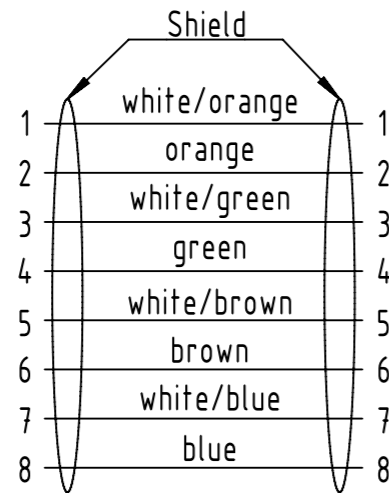
Connector Location B



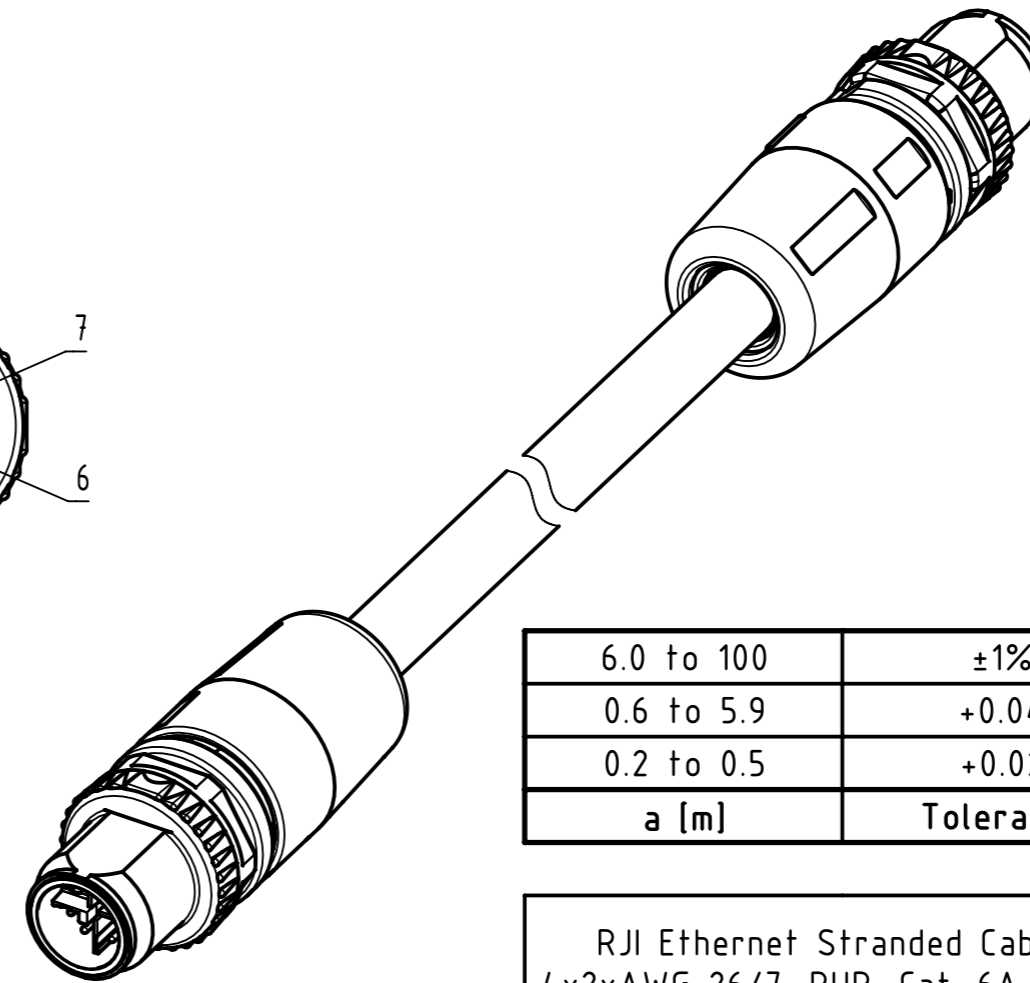
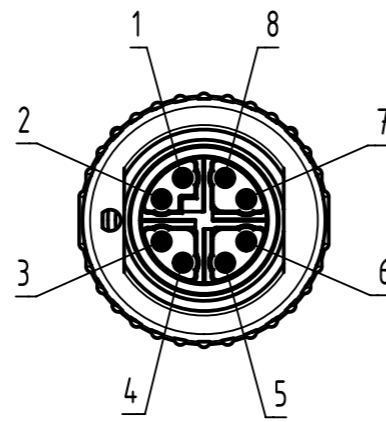
X
male



Loading Plan
acc. to TIA/EIA 568B



Y
male



6.0 to 100	±1%
0.6 to 5.9	+0.04
0.2 to 0.5	+0.02
a [m]	Tolerance

length in "1m" step	100	XXX=000
	99	XXX=990
	.	.
	12	XXX=120
length in "0.1m" step	11	XXX=110
	10	XXX=100
	9.9	XXX=099
	9.8	XXX=098
Step	0.5	XXX=005
	0.4	XXX=004
	0.3	XXX=003
	0.2	XXX=002
Step	a [m]	XXX

RJI Ethernet Stranded Cable,
4x2xAWG 26/7, PUR, Cat. 6A, yellow

21330505810XXX

NOTE:
*Ethernet transmission possible for lengths up to 45m
- Protection level: IP65/67
- Temperature range: -40°C ... +80°C

	All rights reserved	Created by 402990 Costa	Inspected by 402676 Gross	Standardisation MUNTEANV Muntean	Date 2020-11-17	State Final Release
	Department HCS - RO	Title M12 X-coded Cable Assembly		Doc-Key / ECM-Nr. 100855486/UGD/004/B 500000183574		Rev. B
HARTING Customised Solutions D-32339 Espelkamp		Type TB	Number 21330505810XXX		Page 1/1	