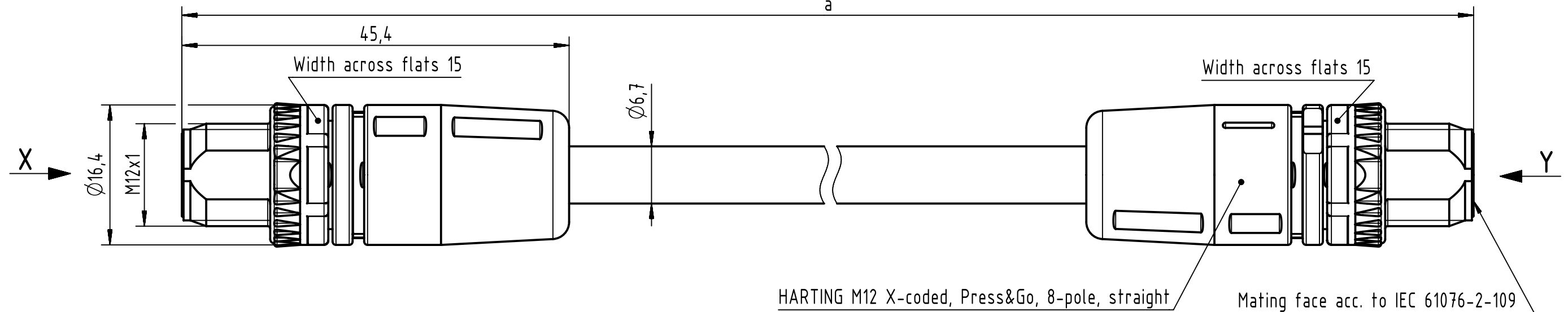


Connector Location A

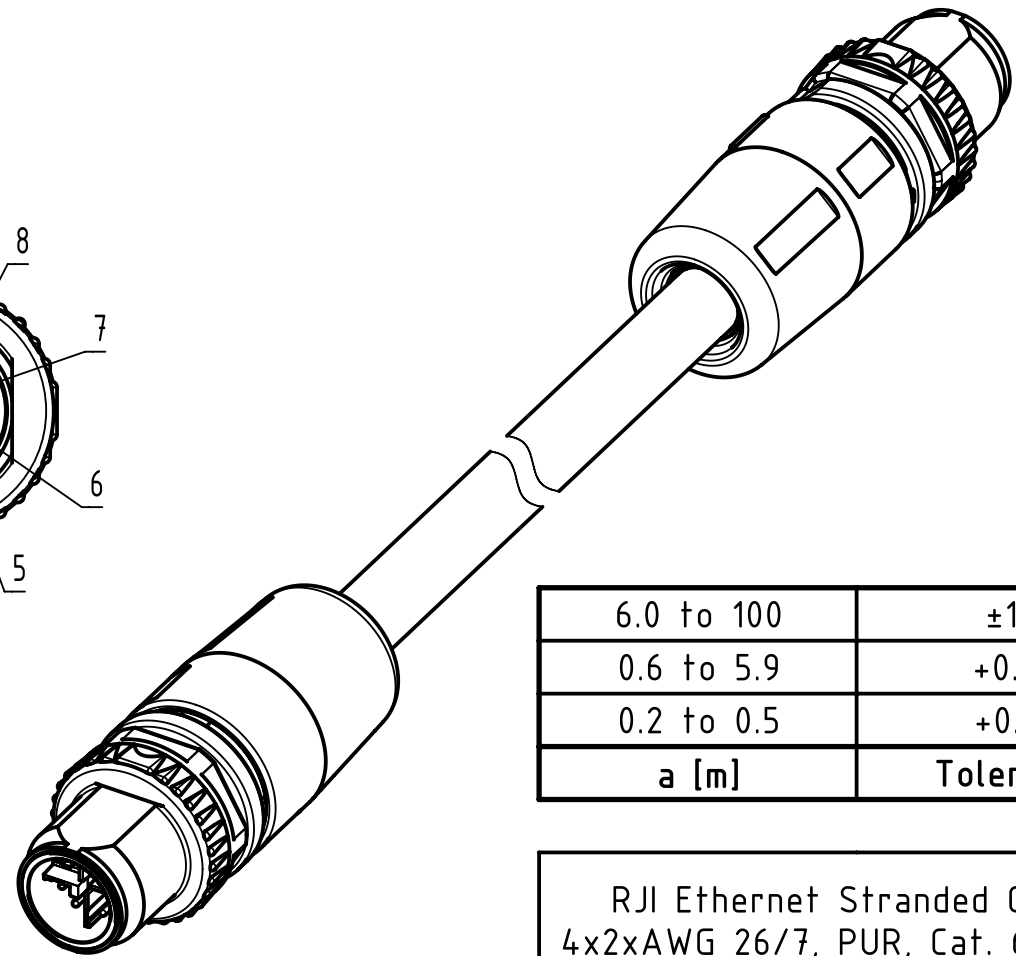
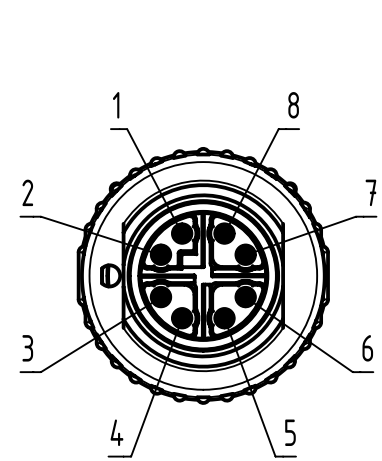
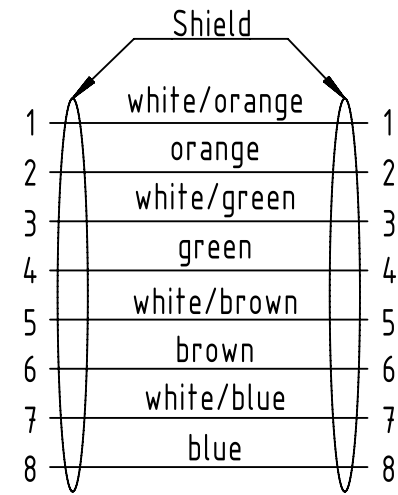
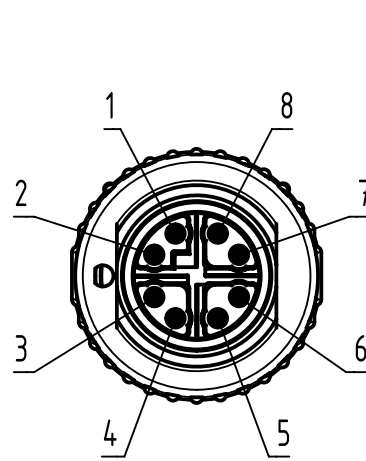
Connector Location B



X
male

Loading Plan
acc. to TIA/EIA 568B

Y
male



6.0 to 100	±1%
0.6 to 5.9	+0.04
0.2 to 0.5	+0.02
a [m]	Tolerance

length in "1m" step	100	XXX=000
	99	XXX=990
	.	.
	12	XXX=120
length in "0.1m" step	11	XXX=110
	10	XXX=100
	9.9	XXX=099
	9.8	XXX=098
	.	.
	0.5	XXX=005
	0.4	XXX=004
	0.3	XXX=003
	0.2	XXX=002
Step	a [m]	XXX

RJI Ethernet Stranded Cable,
4x2xAWG 26/7, PUR, Cat. 6A, grey

21330505806XXX

NOTE:
 * Ethernet transmission possible for lengths up to 45m
 - Protection level: IP65/67
 - Temperature range: -40°C ... +80°C

		All Dimensions in mm		Tech. Character.		Free size tol.		According to production drawing	
All rights reserved Department HCS - RO		Created by COSTEA Costea		Inspected by STOCHECIC Stocheci		Standardisation MUNTEANV Muntean		Date 2019-12-11	
HARTING Customised Solutions D-32339 Espelkamp		Title M12 X-cod st/st m/m PUR Grey		State Final Release		Doc-Key / ECM-Nr. 100858478/UGD/004/B 500000163157		Rev. B Page 1/1	
		Type TB		Number 21330505806XXX					