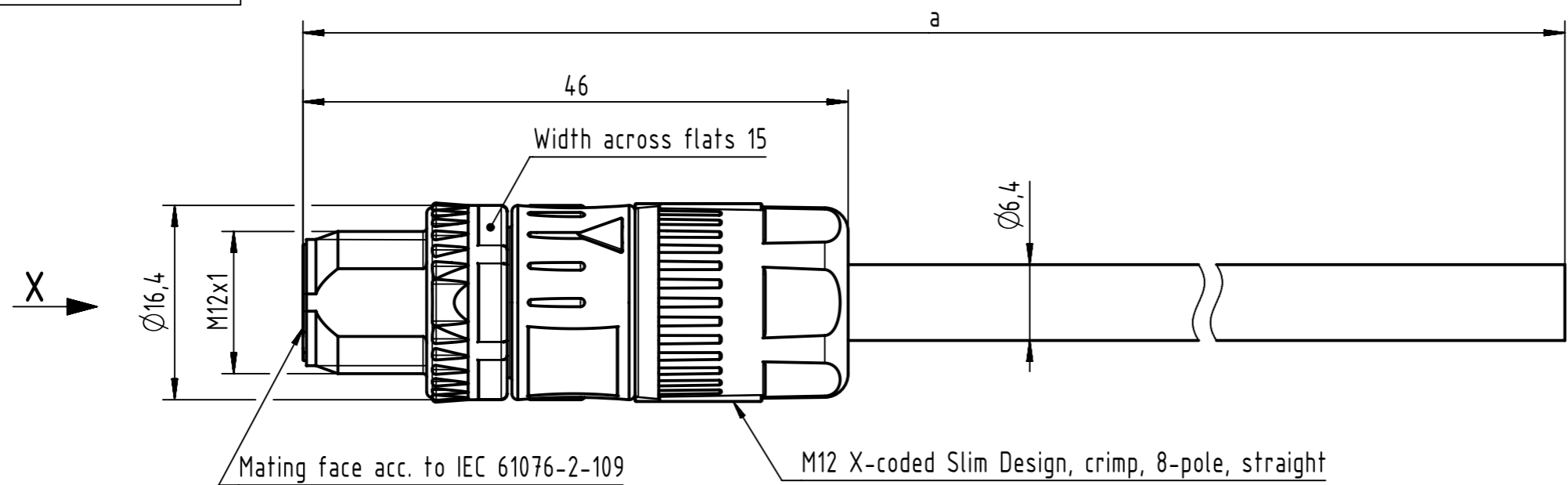
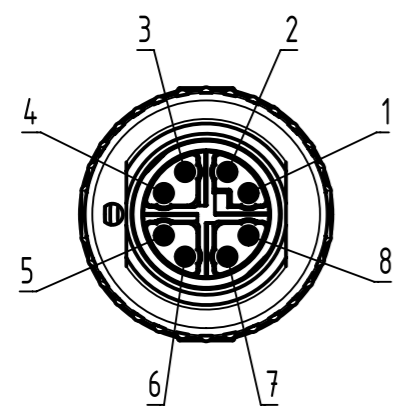


Connector Location A

Connector Location B



X male

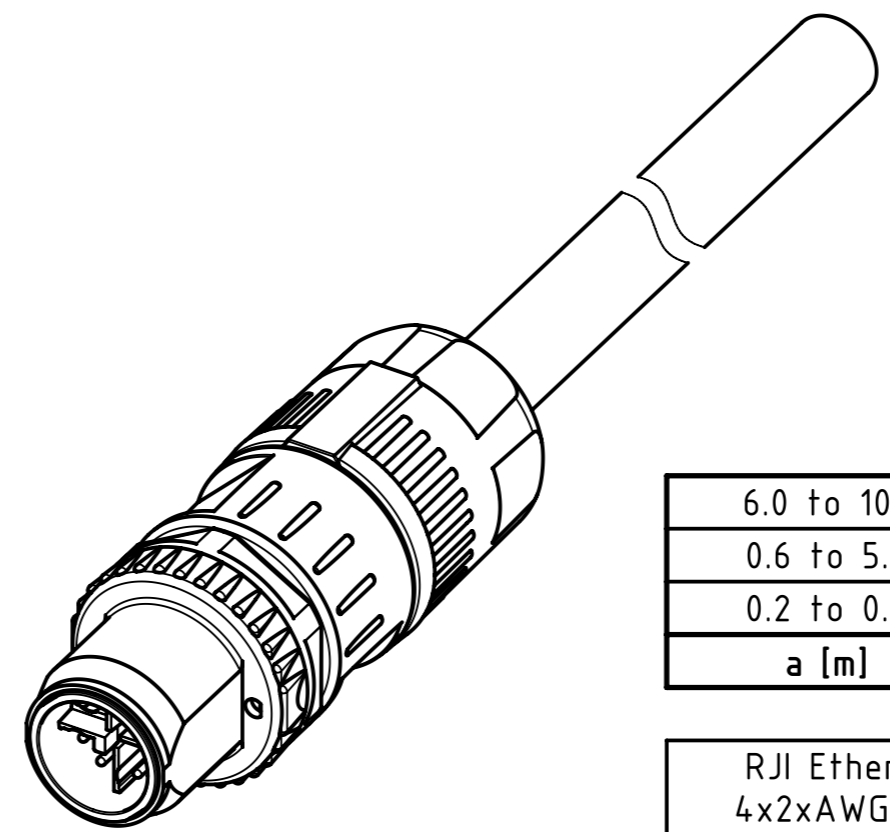


Loading Plan acc. to TIA/EIA 568B

	Shield
1	white/orange
2	orange
3	white/green
4	green
5	white/brown
6	brown
7	white/blue
8	blue

- Protection level: IP65/67
- Temperature range: -40°C ... +70°C

NOTE:
* Ethernet transmission possible for lengths up to 45m



6.0 to 100	±1%
0.6 to 5.9	+0.04
0.2 to 0.5	+0.02
a [m]	Tolerance

length in "1m" step	100	XXX=000
	99	XXX=990
	.	.
	12	XXX=120
length in "0.1m" step	11	XXX=110
	10	XXX=100
	9.9	XXX=099
	9.8	XXX=098
	.	.
	0.5	XXX=005
	0.4	XXX=004
	0.3	XXX=003
	0.2	XXX=002
Step	a [m]	XXX

RJI Ethernet flexible cable, 4x2xAWG 26/7, Cat.7A, PUR, yellow

Type of cable

21330100850XXX

Part no.

	All rights reserved	Created by BANIUD Banciu	Inspected by COSTEA Costea	Standardisation MUNTEANV Muntean	Date 2020-01-09	State Final Release
	Department HCS - RO	Title M12 X-coded Cable Assembly		Doc-Key / ECM-Nr. 100576504/UGD/000/E 500000162671		Rev. E
HARTING Customised Solutions D-32339 Espelkamp		Type TB	Number 21330100850XXX		Page 1/1	