

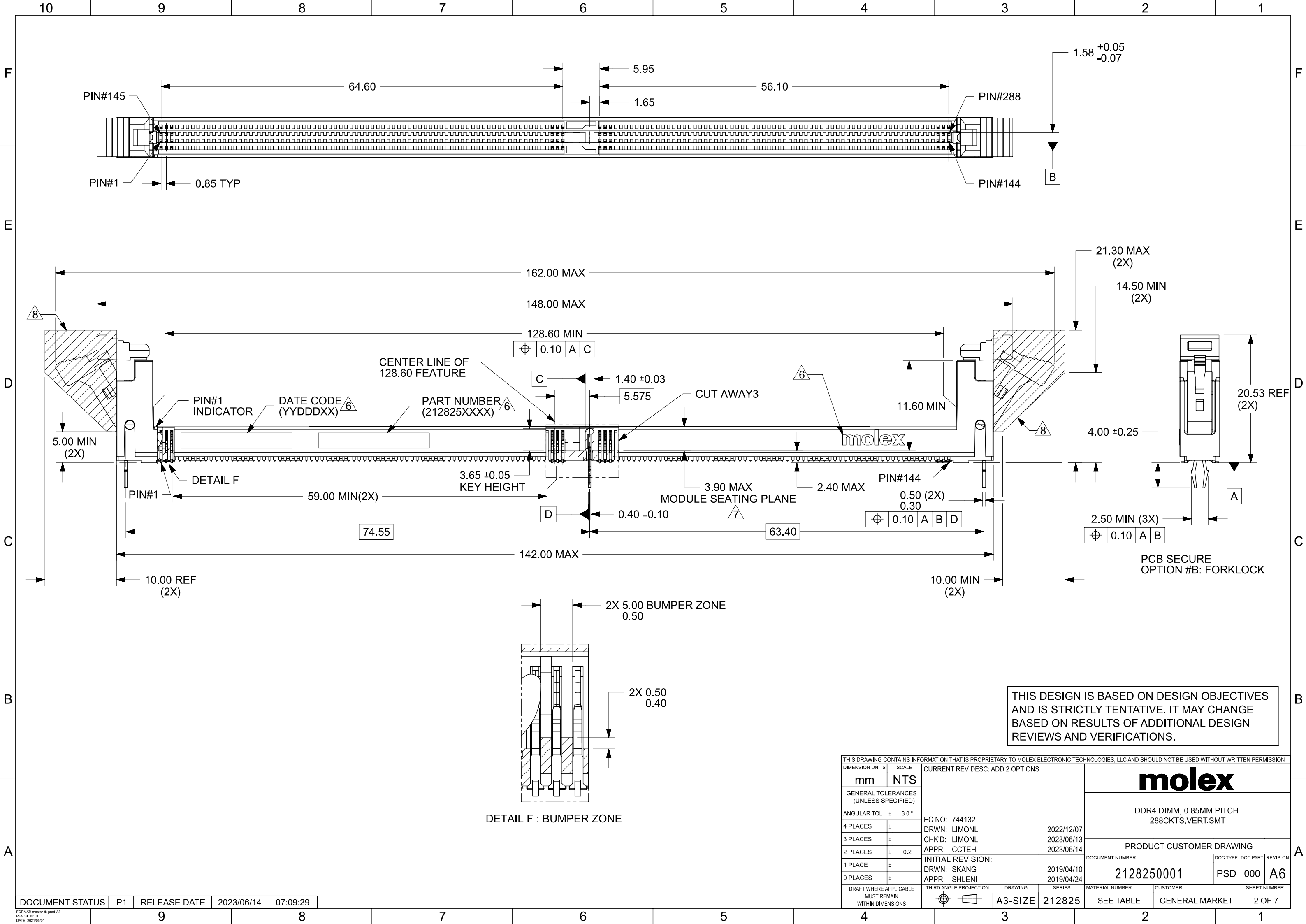
**NOTES:**

- MATERIAL : HOUSING - HALOGEN FREE HIGH TEMP POLYAMIDE, GLASS FILLED, UL94V-0.  
COLOUR : SEE TABLE ON SHEET 6~7.  
LATCH - HALOGEN FREE HIGH TEMP POLYAMIDE, GLASS FILLED, UL94V-0.  
COLOUR : SEE TABLE ON SHEET 6.  
TERMINAL : COPPER ALLOY.  
METALTAB: COPPER ALLOY.
- FINISHES - SEE TABLE ON SHEET 6.
- PRODUCT SPECIFICATION : SEE TABLE ON SHEET 6.
- PACKAGING SPECIFICATION: PRODUCT SHALL BE PACKED IN TRAY, SEE SHEET 6
- CARD SLOT ACCEPTS 1.40±0.10MM MODULE THICKNESS (MEASURED OVER P.C. PADS).
- MOLEX LOGO, DATE & PART NO. INDICATED ON HOUSING.
- MODULE SEATING PLANE.
- KEEP OUT ZONE RESERVED FOR LATCH.
- KEEP OUT AREA IS THE AREA WHERE THE CONNECTOR (INCLUDES LATCHES IN OPENING POSITION) IS MOUNTED ON THE PCB.
- REFER TO AS-78730-001 FOR CONNECTOR APPLICATION GUIDELINE.
- REFER TO AS-78730-002 FOR PCB ROUTING RECOMMENDATIONS.

THIS DESIGN IS BASED ON DESIGN OBJECTIVES AND IS STRICTLY TENTATIVE. IT MAY CHANGE BASED ON RESULTS OF ADDITIONAL DESIGN REVIEWS AND VERIFICATIONS.

DETAIL E : BUMPER ZONE

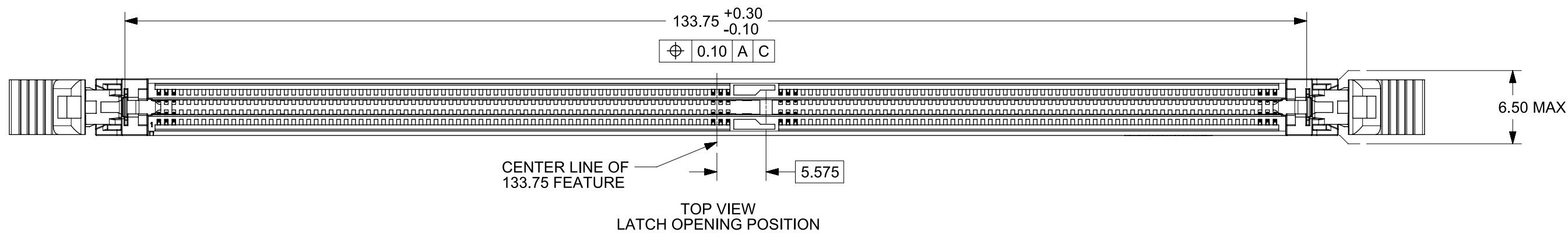
THIS DRAWING CONTAINS INFORMATION THAT IS PROPRIETARY TO MOLEX ELECTRONIC TECHNOLOGIES, LLC AND SHOULD NOT BE USED WITHOUT WRITTEN PERMISSION		CURRENT REV DESC: ADD 2 OPTIONS		<b>molex</b>	
DIMENSION UNITS	SCALE				
mm	NTS			DDR4 DIMM, 0.85MM PITCH 288CKTS, VERT. SMT	
GENERAL TOLERANCES (UNLESS SPECIFIED)		EC NO: 744132		PRODUCT CUSTOMER DRAWING	
ANGULAR TOL ± 3.0°		DRWN: LIMONL 2022/12/07		DOCUMENT NUMBER	
4 PLACES ±		CHK'D: LIMONL 2023/06/13		2128250001	
3 PLACES ±		APPR: CTEH 2023/06/14		DOC TYPE	
2 PLACES ± 0.2		INITIAL REVISION:		PSD	
1 PLACE ±		DRWN: SKANG 2019/04/10		DOC PART	
0 PLACES ±		APPR: SHLENI 2019/04/24		000	
DRAFT WHERE APPLICABLE MUST REMAIN WITHIN DIMENSIONS		THIRD ANGLE PROJECTION	DRAWING	SERIES	SHEET NUMBER
			A3-SIZE	212825	1 OF 7
		MATERIAL NUMBER	CUSTOMER		
		SEE TABLE	GENERAL MARKET		



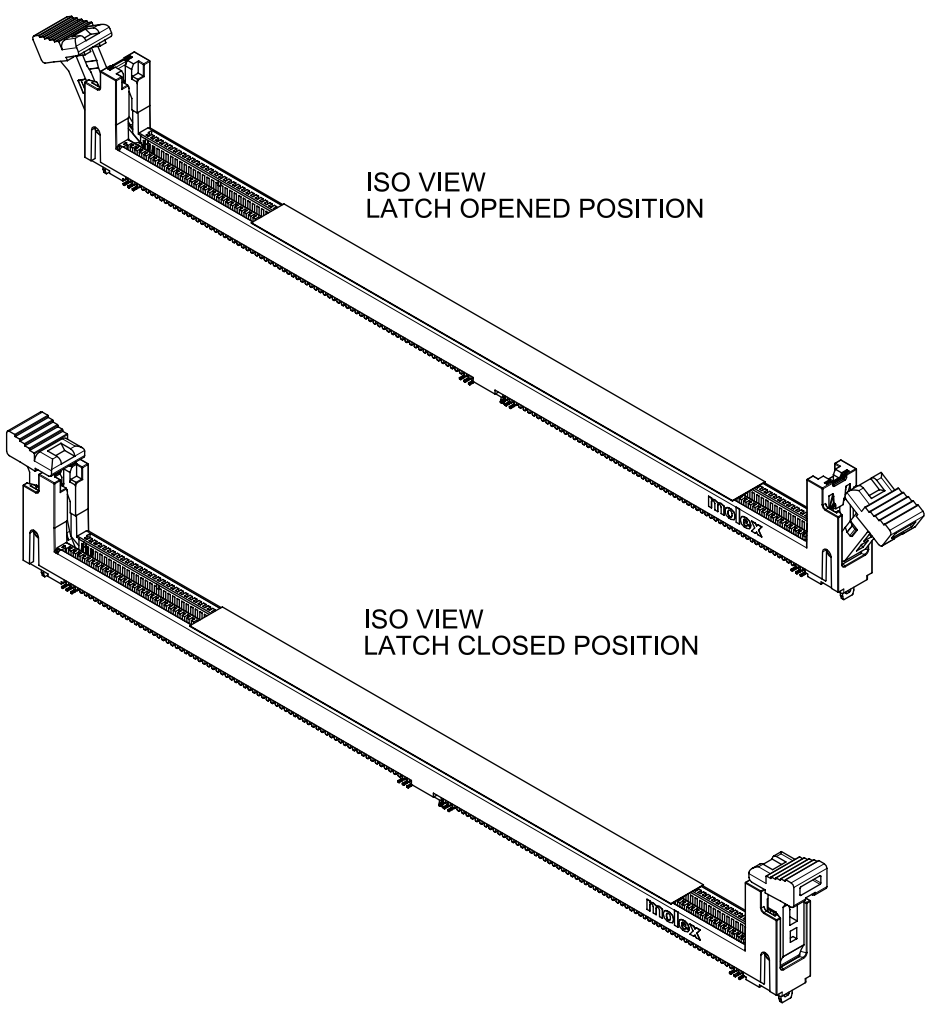
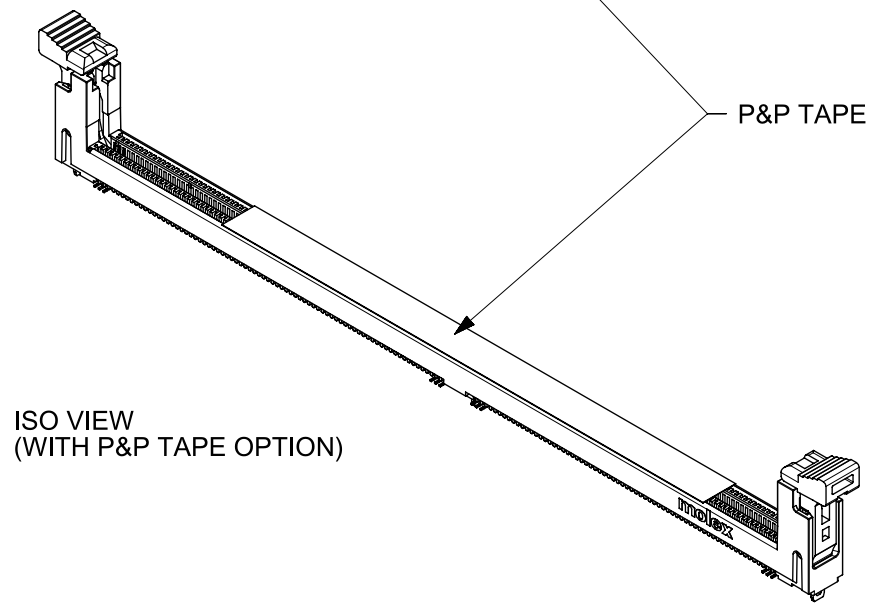
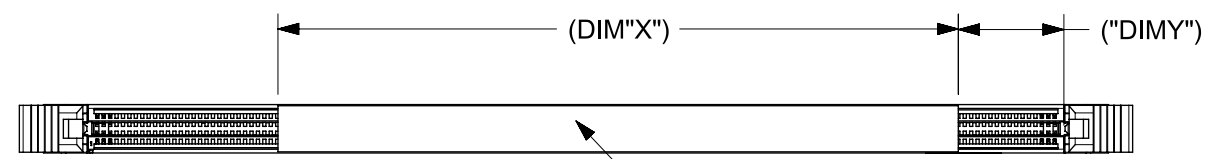
THIS DESIGN IS BASED ON DESIGN OBJECTIVES AND IS STRICTLY TENTATIVE. IT MAY CHANGE BASED ON RESULTS OF ADDITIONAL DESIGN REVIEWS AND VERIFICATIONS.

THIS DRAWING CONTAINS INFORMATION THAT IS PROPRIETARY TO MOLEX ELECTRONIC TECHNOLOGIES, LLC AND SHOULD NOT BE USED WITHOUT WRITTEN PERMISSION		CURRENT REV DESC: ADD 2 OPTIONS			
DIMENSION UNITS	SCALE				
mm	NTS			DDR4 DIMM, 0.85MM PITCH 288CKTS, VERT. SMT	
GENERAL TOLERANCES (UNLESS SPECIFIED)				PRODUCT CUSTOMER DRAWING	
ANGULAR TOL	$\pm 3.0^\circ$			DOCUMENT NUMBER	
4 PLACES	$\pm$	EC NO: 744132	2022/12/07	2128250001	
3 PLACES	$\pm$	DRWN: LIMONL	2023/06/13	DOC TYPE	DOC PART
2 PLACES	$\pm 0.2$	CHK'D: LIMONL	2019/04/10	PSD	000
1 PLACE	$\pm$	APPR: CTEH	2019/04/24	REVISION	A6
0 PLACES	$\pm$	INITIAL REVISION:			
DRAFT WHERE APPLICABLE MUST REMAIN WITHIN DIMENSIONS		THIRD ANGLE PROJECTION	DRAWING	SERIES	MATERIAL NUMBER
			A3-SIZE	212825	SEE TABLE
				CUSTOMER	SHEET NUMBER
				GENERAL MARKET	2 OF 7

DOCUMENT STATUS	P1	RELEASE DATE	2023/06/14	07:09:29
-----------------	----	--------------	------------	----------

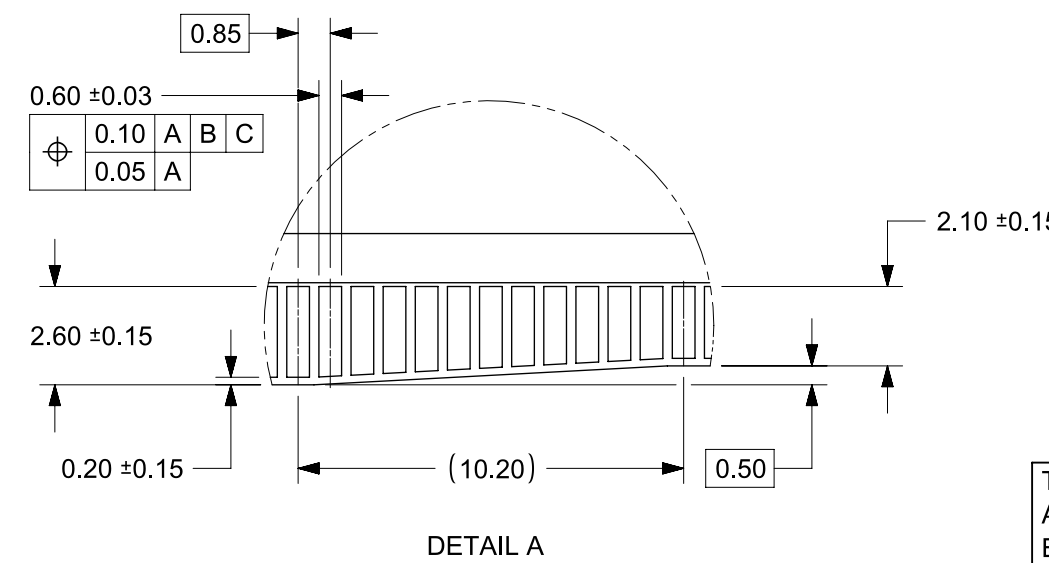
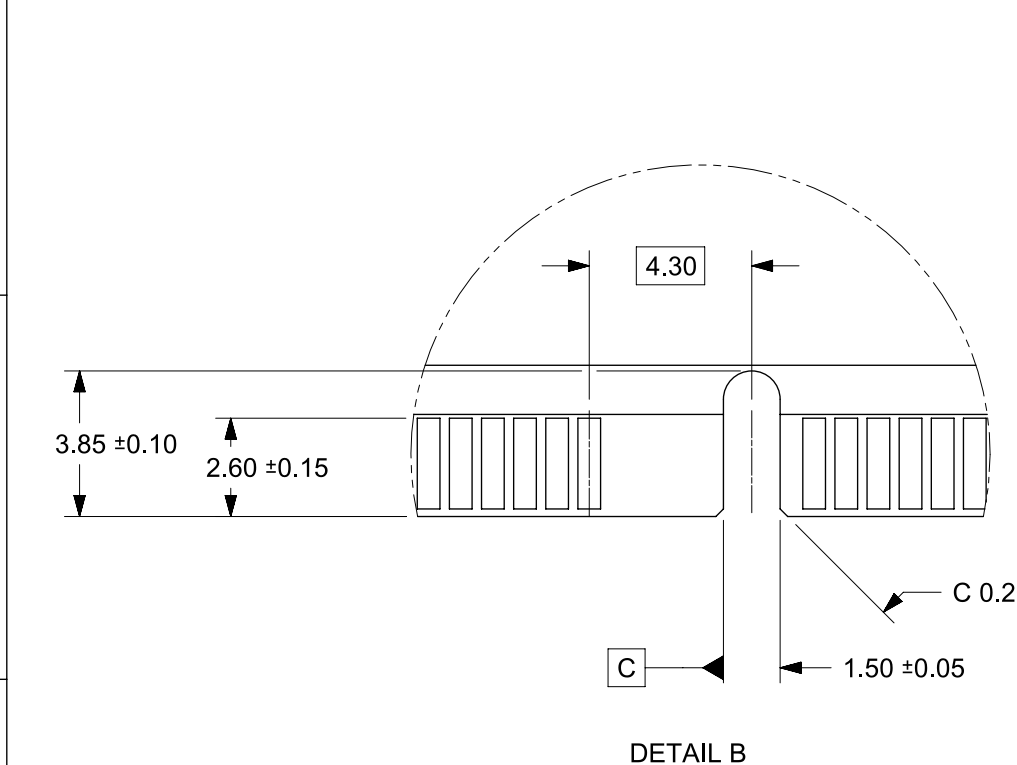
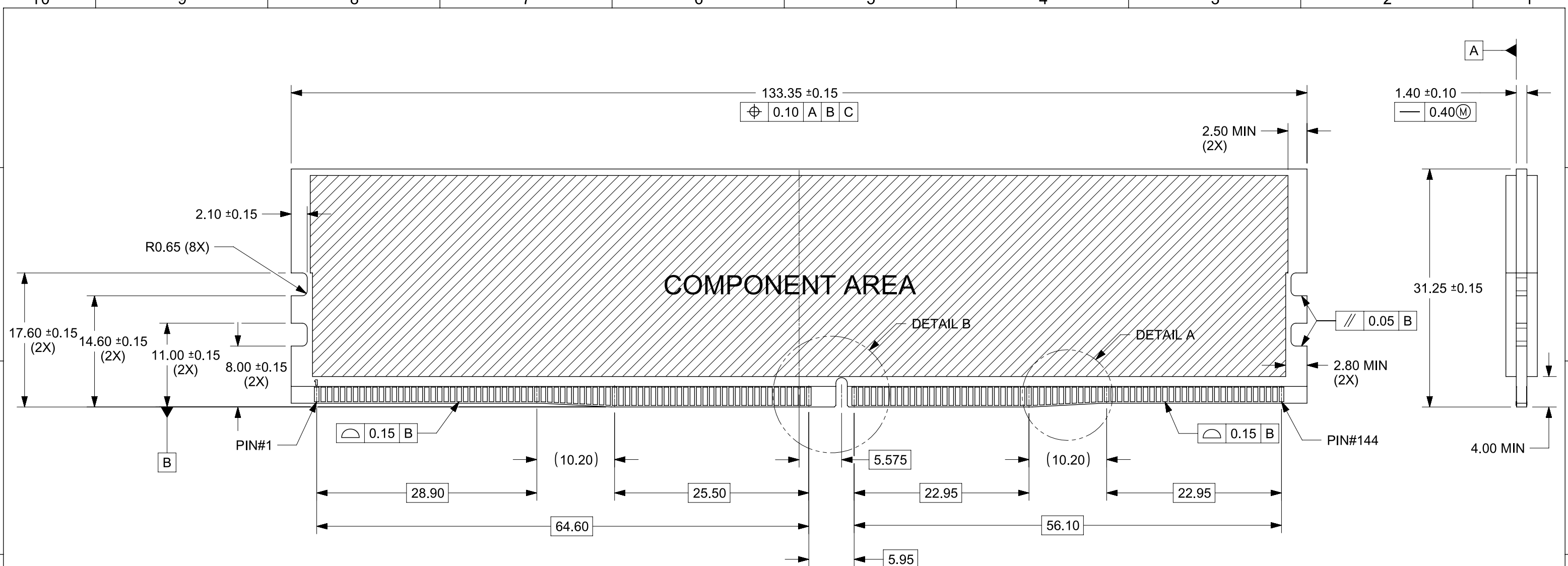


VIEWS WITH P&P TAPE OPTION



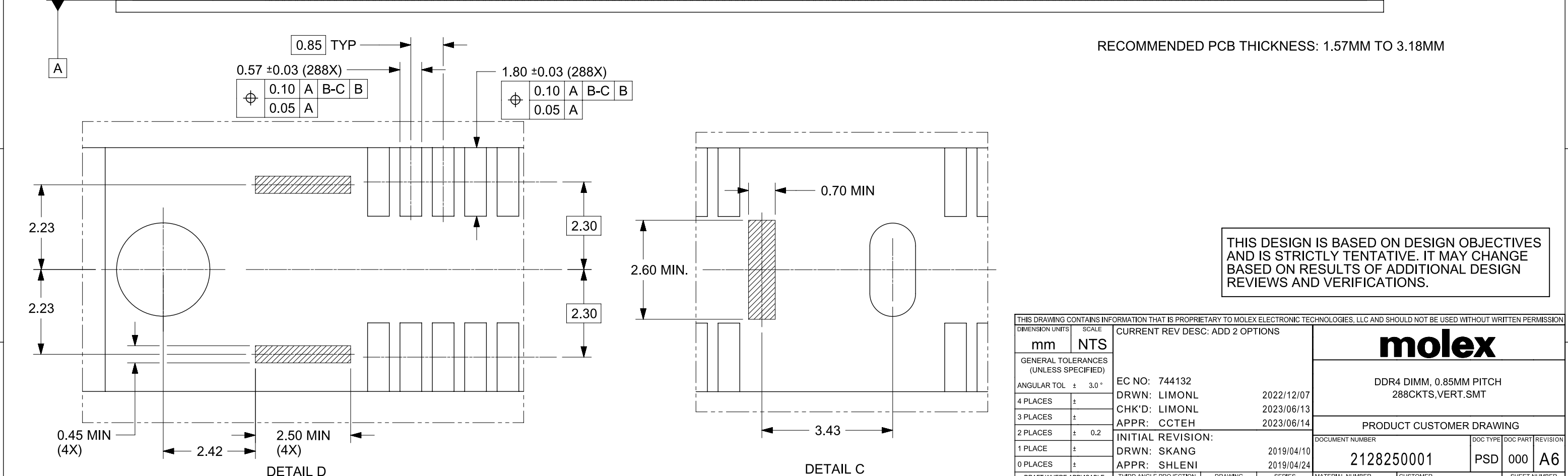
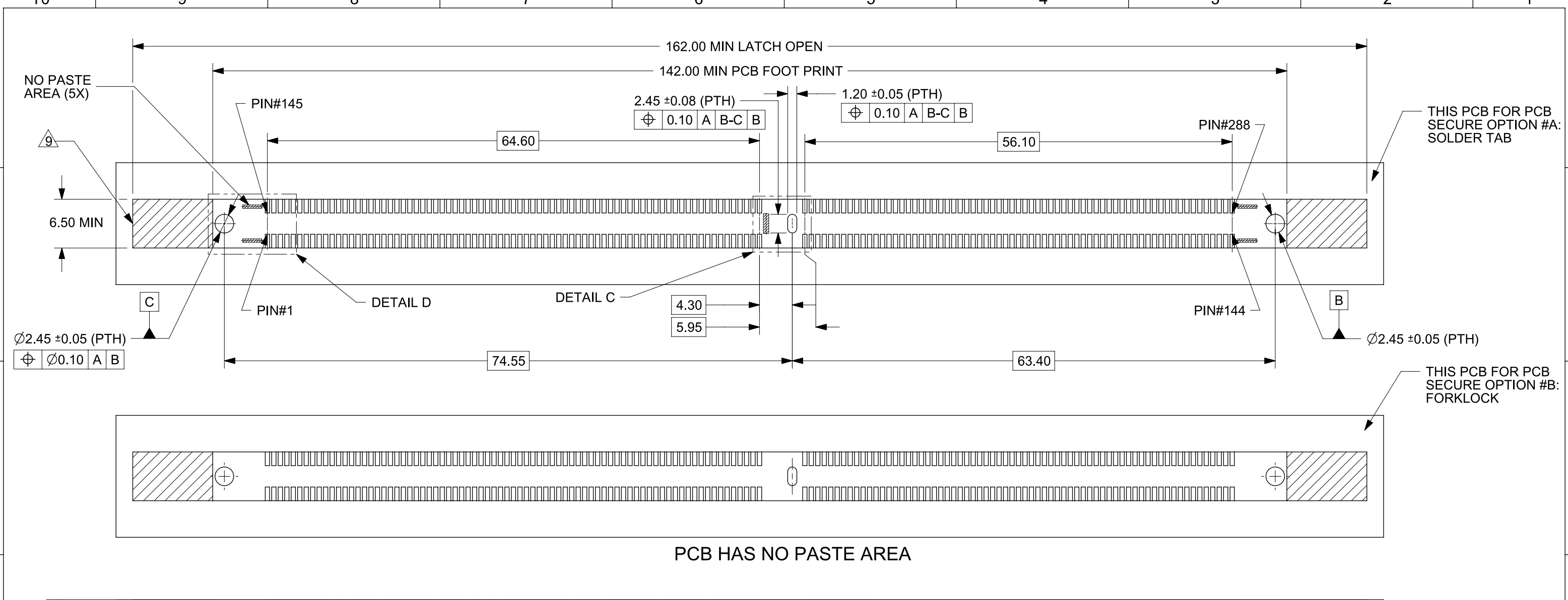
THIS DESIGN IS BASED ON DESIGN OBJECTIVES AND IS STRICTLY TENTATIVE. IT MAY CHANGE BASED ON RESULTS OF ADDITIONAL DESIGN REVIEWS AND VERIFICATIONS.

THIS DRAWING CONTAINS INFORMATION THAT IS PROPRIETARY TO MOLEX ELECTRONIC TECHNOLOGIES, LLC AND SHOULD NOT BE USED WITHOUT WRITTEN PERMISSION									
DIMENSION UNITS		SCALE		CURRENT REV DESC: ADD 2 OPTIONS				<b>molex</b>	
mm		NTS							
GENERAL TOLERANCES (UNLESS SPECIFIED)				EC NO: 744132					
ANGULAR TOL ± 3.0 °				DRWN: LIMONL		2022/12/07		DDR4 DIMM, 0.85MM PITCH	
4 PLACES ±				CHK'D: LIMONL		2023/06/13		288CKTS, VERT. SMT	
3 PLACES ±				APPR: CTEH		2023/06/14		PRODUCT CUSTOMER DRAWING	
2 PLACES ± 0.2				INITIAL REVISION:				DOCUMENT NUMBER	
1 PLACE ±				DRWN: SKANG		2019/04/10		2128250001	
0 PLACES ±				APPR: SHLENI		2019/04/24		DOC TYPE DOC PART REVISION	
DRAFT WHERE APPLICABLE MUST REMAIN WITHIN DIMENSIONS				THIRD ANGLE PROJECTION		DRAWING		MATERIAL NUMBER	
				A3-SIZE		SERIES		CUSTOMER	
				212825		SEE TABLE		GENERAL MARKET	
						SHEET NUMBER		3 OF 7	



THIS DESIGN IS BASED ON DESIGN OBJECTIVES AND IS STRICTLY TENTATIVE. IT MAY CHANGE BASED ON RESULTS OF ADDITIONAL DESIGN REVIEWS AND VERIFICATIONS.

THIS DRAWING CONTAINS INFORMATION THAT IS PROPRIETARY TO MOLEX ELECTRONIC TECHNOLOGIES, LLC AND SHOULD NOT BE USED WITHOUT WRITTEN PERMISSION		CURRENT REV DESC: ADD 2 OPTIONS				
DIMENSION UNITS	SCALE					DDR4 DIMM, 0.85MM PITCH 288CKTS, VERT. SMT
mm	NTS			PRODUCT CUSTOMER DRAWING		
GENERAL TOLERANCES (UNLESS SPECIFIED)		EC NO: 744132		DOCUMENT NUMBER		
ANGULAR TOL	± 3.0°	DRWN: LIMONL 2022/12/07		2128250001		
4 PLACES	±	CHK'D: LIMONL 2023/06/13		DOC TYPE		
3 PLACES	±	APPR: CCTEH 2023/06/14		PSD		
2 PLACES	± 0.2	INITIAL REVISION:		DOC PART		
1 PLACE	±	DRWN: SKANG 2019/04/10		000		
0 PLACES	±	APPR: SHLENI 2019/04/24		A6		
DRAFT WHERE APPLICABLE MUST REMAIN WITHIN DIMENSIONS		THIRD ANGLE PROJECTION	DRAWING	SERIES	MATERIAL NUMBER	CUSTOMER
			A3-SIZE	212825	SEE TABLE	GENERAL MARKET
						SHEET NUMBER
						4 OF 7

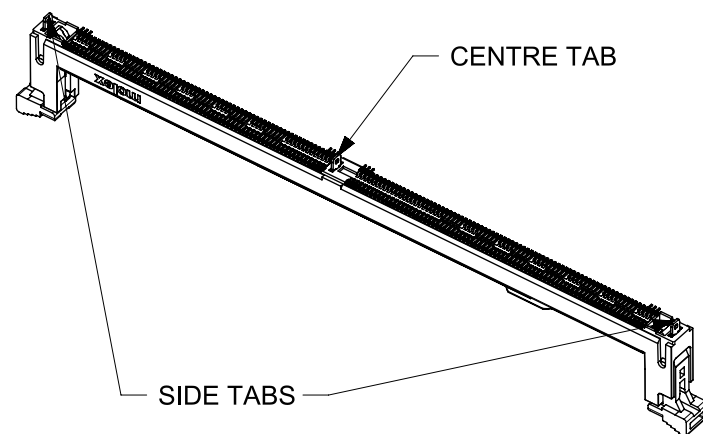


DOCUMENT STATUS	P1	RELEASE DATE	2023/06/14	07:09:29
-----------------	----	--------------	------------	----------

THIS DRAWING CONTAINS INFORMATION THAT IS PROPRIETARY TO MOLEX ELECTRONIC TECHNOLOGIES, LLC AND SHOULD NOT BE USED WITHOUT WRITTEN PERMISSION		CURRENT REV DESC: ADD 2 OPTIONS			
DIMENSION UNITS	SCALE				
mm	NTS			DDR4 DIMM, 0.85MM PITCH 288CKTS, VERT. SMT	
GENERAL TOLERANCES (UNLESS SPECIFIED)		EC NO: 744132		DOCUMENT NUMBER	
ANGULAR TOL	± 3.0°	DRWN: LIMONL	2022/12/07	2128250001	
4 PLACES	±	CHK'D: LIMONL	2023/06/13	DOC TYPE	DOC PART
3 PLACES	±	APPR: CCTEH	2023/06/14	PSD	000
2 PLACES	± 0.2	INITIAL REVISION:		REVISION	
1 PLACE	±	DRWN: SKANG	2019/04/10	A6	
0 PLACES	±	APPR: SHLENI	2019/04/24		
DRAFT WHERE APPLICABLE MUST REMAIN WITHIN DIMENSIONS		THIRD ANGLE PROJECTION	DRAWING	SERIES	MATERIAL NUMBER
			A3-SIZE	212825	SEE TABLE
				CUSTOMER	SHEET NUMBER
				GENERAL MARKET	5 OF 7

CKT SIZE	ASSEMBLY PART NO.	HOUSING COLOUR	LATCH COLOUR	P&P OPTION	PCB SECURE	DIM"P"	DIM"Q"		PLATING OPTION		PRODUCT SPEC. NO.	PACKAGING SPEC. NO.
							SIDE TAB	CENTRE TAB	TERMINAL	METAL TAB		
288	2128251502	BLACK	BLACK	NO	OPTION#A: SOLDERTAB	2.00	2.10	CONTACT AREA 0.76µM/30µIN MIN GOLD ON CONTACT  2.54µM/100µIN MIN NICKEL UNDERPLATE  TAIL AREA 2.54µM/100µIN MIN TIN ON SOLDER TAILS  1.27µM/50µIN MIN NICKEL UNDERPLATE	1 MICROMETER (40 MICROINCH) MIN TIN OVERALL (PRE-PLATED)	PS-78730-001	PK-78730-001	
	2128251503		OFF-WHITE									
	2128251504	BLACK										
	2128251505	OFF-WHITE										
	2128251506	BLUE	BLACK									
	2128251507		OFF-WHITE									
	2128252502	BLACK	BLACK	YES (X=60mm, Y=28.97mm)								
	2128252503		OFF-WHITE									
	2128252504	OFF-WHITE	BLACK									
	2128252505	OFF-WHITE	OFF-WHITE									
	2128252506	BLUE	BLACK									
	2128252507		OFF-WHITE									
	2128251652	BLACK	BLACK	NO								
	2128251653		OFF-WHITE									
	2128251654	OFF-WHITE	BLACK									
	2128251655	OFF-WHITE	OFF-WHITE									
	2128251658	YELLOW	OFF-WHITE									
	2128252652	BLACK	BLACK					YES (X=60mm, Y=28.97mm)				
	2128252653		OFF-WHITE									
	2128252654	OFF-WHITE	BLACK									
	2128252655	OFF-WHITE	OFF-WHITE									
	2128252656	BLUE	BLUE									
	2128252657	BLUE	OFF-WHITE									
	2128252658	YELLOW	OFF-WHITE									
	2128253652	BLACK	BLACK	YES (X=90mm, Y=19.54mm)								
	2128253656	BLUE	BLUE									
	2128253653	BLACK	OFF-WHITE									
	2128253654	OFF-WHITE	BLACK									
	2128253655		OFF-WHITE									
	2128253657	BLUE	OFF-WHITE									
2128253658	YELLOW	OFF-WHITE										
2128253659	BLACK	YELLOW										
2128253660	BLUE	BLUE										
2128253710		BLUE										
2128253712	YELLOW	OFF-WHITE										
2128253714	BLACK	BLACK										
2128252720	BLUE	BLUE	YES (X=60mm, Y=28.97mm)									
2128252722	BLACK	BLACK										

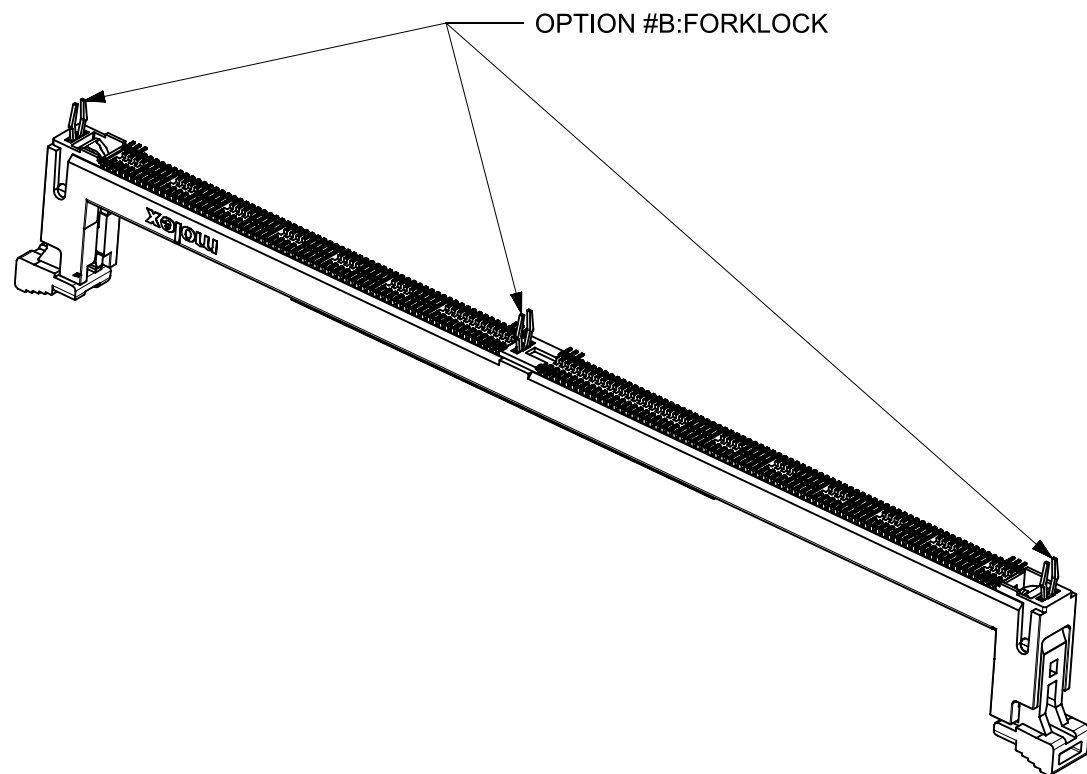
THIS DESIGN IS BASED ON DESIGN OBJECTIVES AND IS STRICTLY TENTATIVE. IT MAY CHANGE BASED ON RESULTS OF ADDITIONAL DESIGN REVIEWS AND VERIFICATIONS.



THIS DRAWING CONTAINS INFORMATION THAT IS PROPRIETARY TO MOLEX ELECTRONIC TECHNOLOGIES, LLC AND SHOULD NOT BE USED WITHOUT WRITTEN PERMISSION		CURRENT REV DESC: ADD 2 OPTIONS		<b>molex</b>			
DIMENSION UNITS	SCALE	EC NO: 744132					
mm	NTS	DRWN: LIMONL 2022/12/07		PRODUCT CUSTOMER DRAWING			
GENERAL TOLERANCES (UNLESS SPECIFIED)		CHK'D: LIMONL 2023/06/13		DOCUMENT NUMBER			
ANGULAR TOL	± 3.0 °	APPR: CCTEH 2023/06/14		2128250001		DOC TYPE	DOC PART
4 PLACES	±	INITIAL REVISION:		PSD		000	REVISION
3 PLACES	±	DRWN: SKANG 2019/04/10		A6			
2 PLACES	± 0.2	APPR: SHLENI 2019/04/24					
1 PLACE	±	DRAFT WHERE APPLICABLE MUST REMAIN WITHIN DIMENSIONS					
0 PLACES	±	THIRD ANGLE PROJECTION	DRAWING	SERIES	MATERIAL NUMBER	CUSTOMER	SHEET NUMBER
			A3-SIZE	212825	SEE TABLE	GENERAL MARKET	6 OF 7

DOCUMENT STATUS | P1 | RELEASE DATE | 2023/06/14 07:09:29

10	9	8	7	6	5	4		3	2	1
						CTK SIZE	ASSEMBLY PART NO.			
						TERMINAL	FORKLOCK			
288	2128254001	BLACK	BLACK	NO	OPTION#B: FORKLOCK	<u>CONTACT AREA</u> 0.76µM/30µIN MIN GOLD ON CONTACT  2.54µM/100µIN MIN NICKEL UNDERPLATE  <u>TAIL AREA</u> 2.54µM/100µIN MIN TIN ON SOLDER TAILS  1.27µM/50µIN MIN NICKEL UNDERPLATE	1.0 MICROMETER(40 MICROINCH) MIN TIN OVERALL (PRE-PLATED)	PS-78730-001	PK-78730-001	
	2128254002	OFF-WHITE	OFF-WHITE							
	2128254004	BLACK	BLACK							
	2128254005		OFF-WHITE							
	2128254008	BLUE	BLUE	NO		<u>CONTACT AREA</u> 0.38µM/15µIN GOLD ON CONTACT  2.54µM/100µIN MIN NICKEL UNDERPLATE  <u>TAIL AREA</u> 2.54µM/100µIN MIN TIN ON SOLDER TAILS  1.27µM/50µIN MIN NICKEL UNDERPLATE	1.0 MICROMETER(40 MICROINCH) MIN TIN OVERALL (PRE-PLATED)	PS-78730-002		
	2128254003	BLACK	BLACK							
	2128254006		BLACK							
	2128254007		BLACK							



THIS DESIGN IS BASED ON DESIGN OBJECTIVES AND IS STRICTLY TENTATIVE. IT MAY CHANGE BASED ON RESULTS OF ADDITIONAL DESIGN REVIEWS AND VERIFICATIONS.

THIS DRAWING CONTAINS INFORMATION THAT IS PROPRIETARY TO MOLEX ELECTRONIC TECHNOLOGIES, LLC AND SHOULD NOT BE USED WITHOUT WRITTEN PERMISSION											
DIMENSION UNITS		SCALE		CURRENT REV DESC: ADD 2 OPTIONS							
mm		NTS									
GENERAL TOLERANCES (UNLESS SPECIFIED)											
ANGULAR TOL ± 3.0 °				EC NO: 744132 DRWN: LIMONL 2022/12/07 CHK'D: LIMONL 2023/06/13 APPR: CTEH 2023/06/14							
4 PLACES ±				INITIAL REVISION: DRWN: SKANG 2019/04/10 APPR: SHLENI 2019/04/24							
3 PLACES ±											
2 PLACES ± 0.2				DOCUMENT NUMBER				DOC TYPE   DOC PART   REVISION			
1 PLACE ±				2128250001				PSD   000   A6			
0 PLACES ±				MATERIAL NUMBER				CUSTOMER			
DRAFT WHERE APPLICABLE MUST REMAIN WITHIN DIMENSIONS				THIRD ANGLE PROJECTION		DRAWING		SERIES		SHEET NUMBER	
						A3-SIZE		212825		7 OF 7	