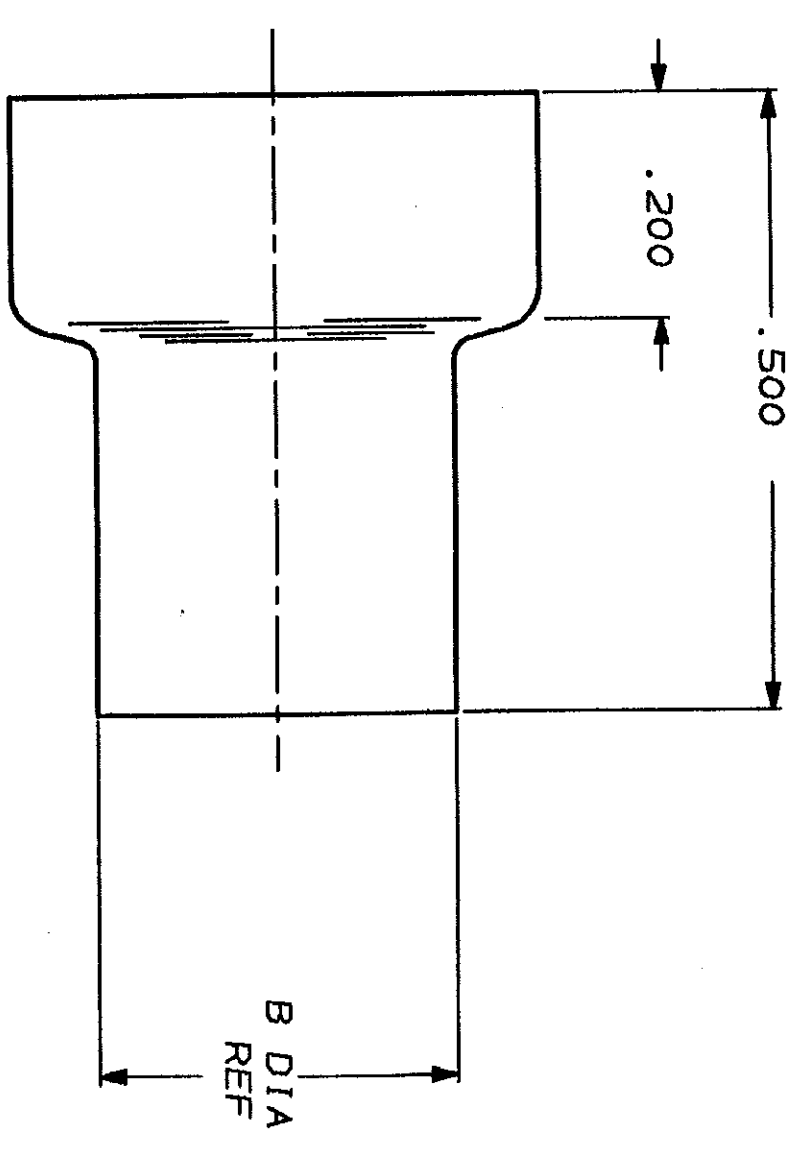
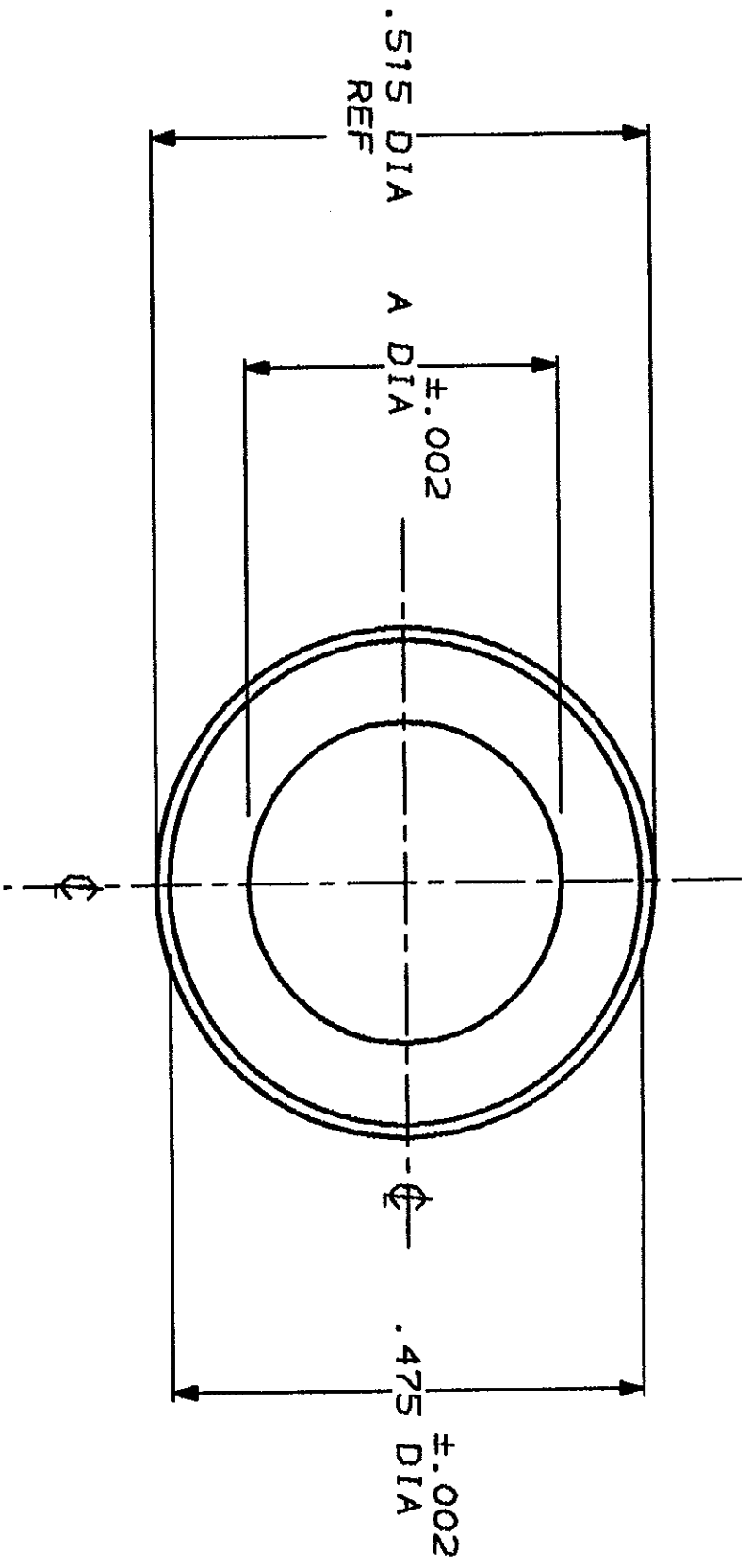


DRAWING MADE IN THIRD ANGLE PROJECTION
 THIS DRAWING IS UNPUBLISHED. RELEASED FOR PUBLICATION
 BY AMP INCORPORATED, HARRISBURG, PA. ALL INTERNATIONAL RIGHTS
 RESERVED. AMP PRODUCTS MAY BE COVERED BY U.S. AND FOREIGN PATENTS AND/OR PATENTS PENDING.

M	LOC	DIST	P	F	ZONE	LTR	DESCRIPTION	DATE	APPROVED
18	BD	39			A		REV PER AF-4685	2/20/87	GY
					B		REVISED PER ECN BD2495	11-11-88	RJ



UNLESS OTHERWISE SPECIFIED DIMENSIONS ARE IN INCHES TOLERANCES ON:	DR 3-5-86	FINISH	PART NO
2 PL DEC ± .02	3 SCHAFFHAUSER		
3 PL DEC ± .010	6 YETTER		
ANGLES ±	APPD 3-6-86		
	C OHL		
	APPD 8-7-88		
	C ROHDE		
	PRODUCT SPEC		
	APPLICATION SPEC		
	WEIGHT		

UNLESS OTHERWISE SPECIFIED DIMENSIONS ARE IN INCHES TOLERANCES ON:	DR 3-5-86	FINISH	PART NO
2 PL DEC ± .02	3 SCHAFFHAUSER		
3 PL DEC ± .010	6 YETTER		
ANGLES ±	APPD 3-6-86		
	C OHL		
	APPD 8-7-88		
	C ROHDE		
	PRODUCT SPEC		
	APPLICATION SPEC		
	WEIGHT		

UNLESS OTHERWISE SPECIFIED DIMENSIONS ARE IN INCHES TOLERANCES ON:	DR 3-5-86	FINISH	PART NO
2 PL DEC ± .02	3 SCHAFFHAUSER		
3 PL DEC ± .010	6 YETTER		
ANGLES ±	APPD 3-6-86		
	C OHL		
	APPD 8-7-88		
	C ROHDE		
	PRODUCT SPEC		
	APPLICATION SPEC		
	WEIGHT		

FERRULE, SHIELDED,
 CIRCULAR DIN

AMP INCORPORATED
 Harrisburg, Pa. 17105

SIZE	FSCH NO	DRAWING NO	SHEET
C	00779	212435	1 OF 1

212435