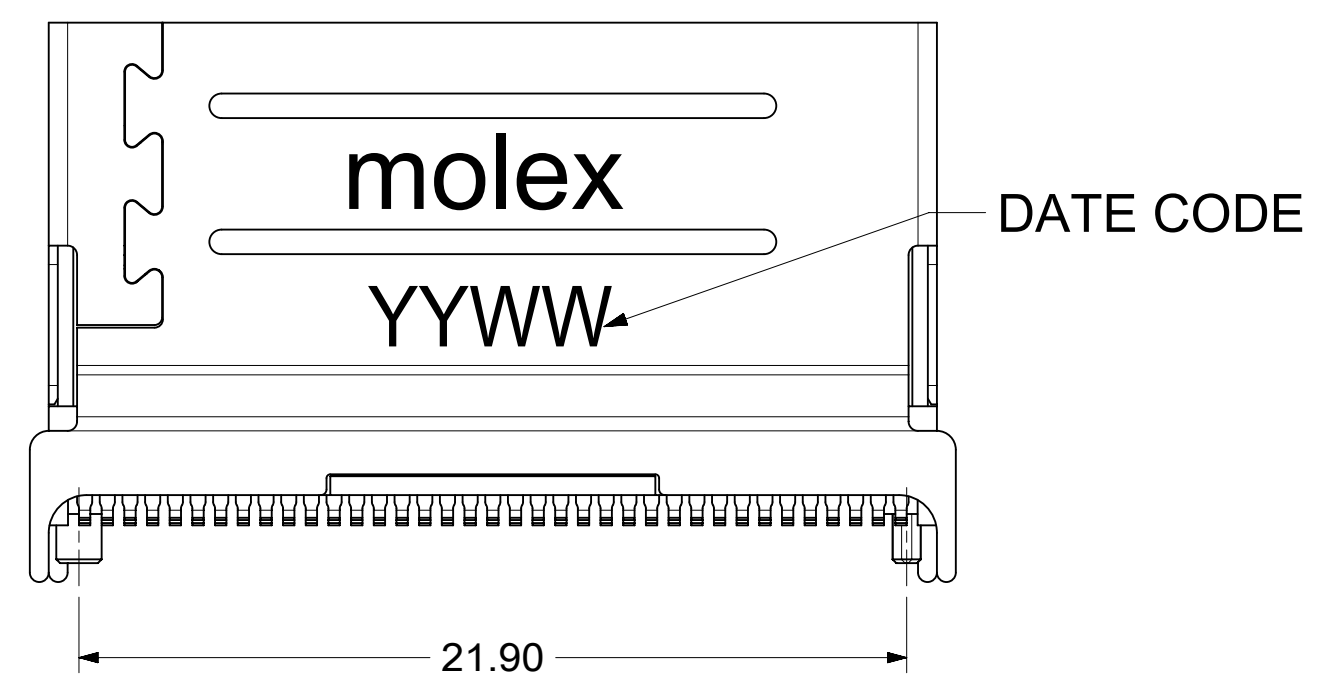
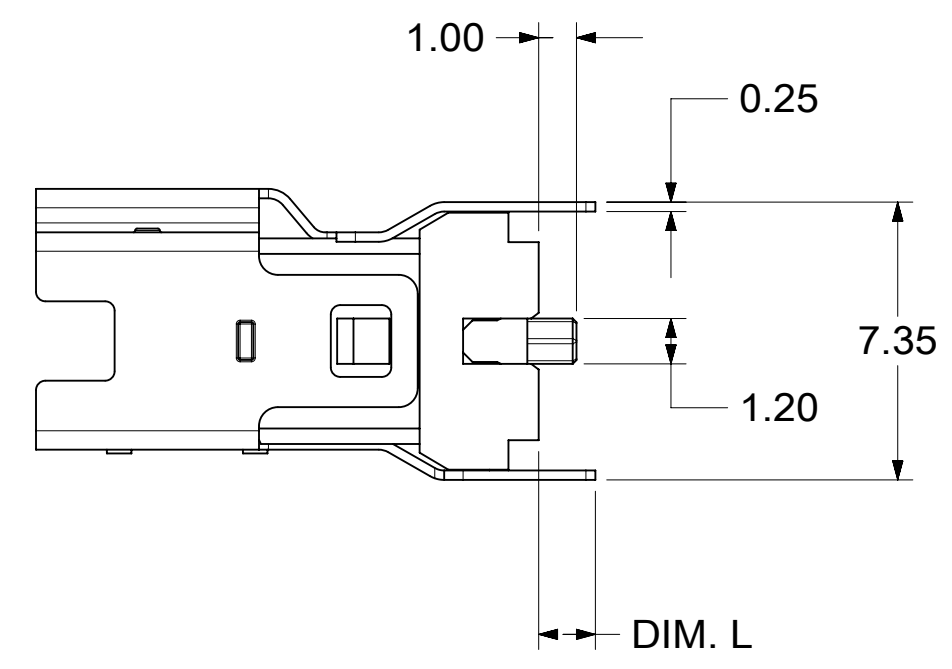
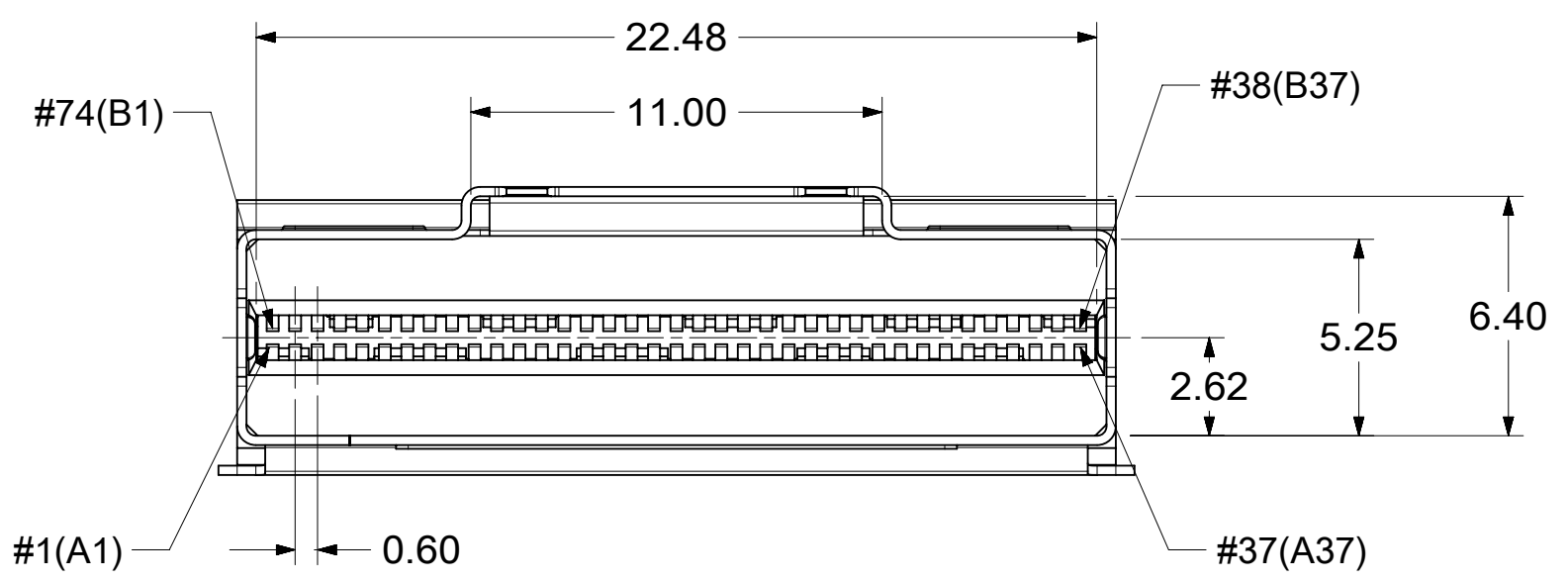
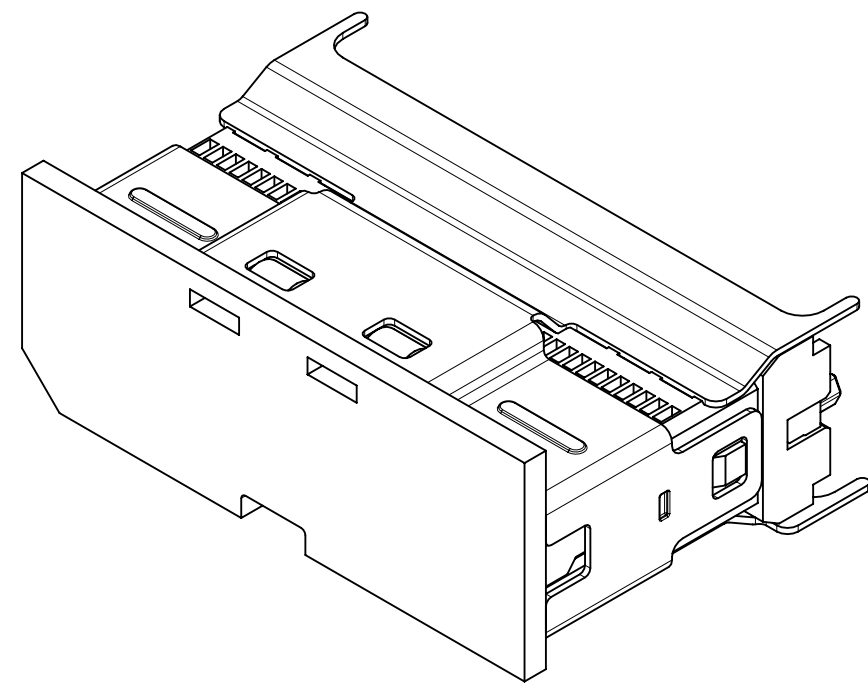
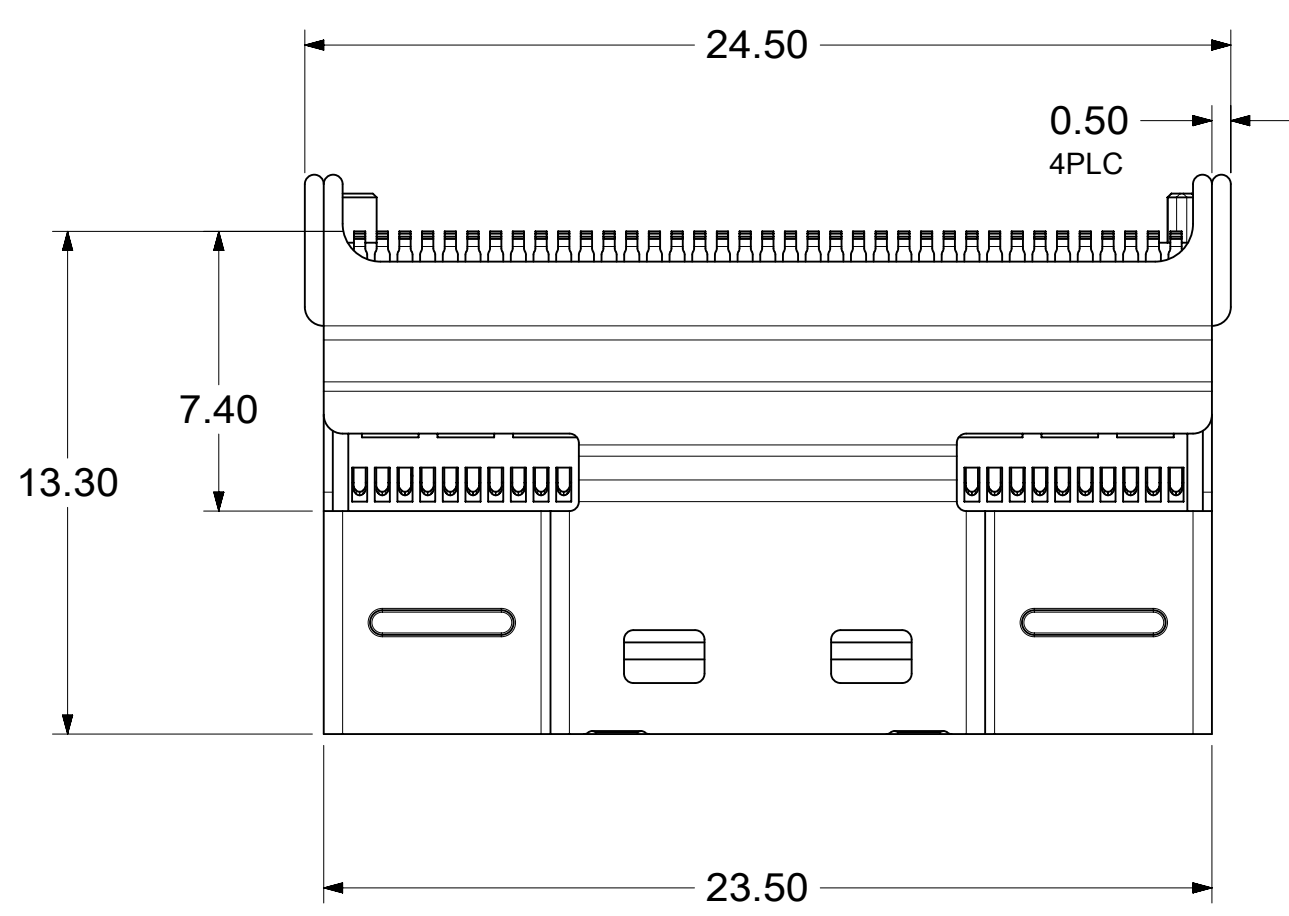
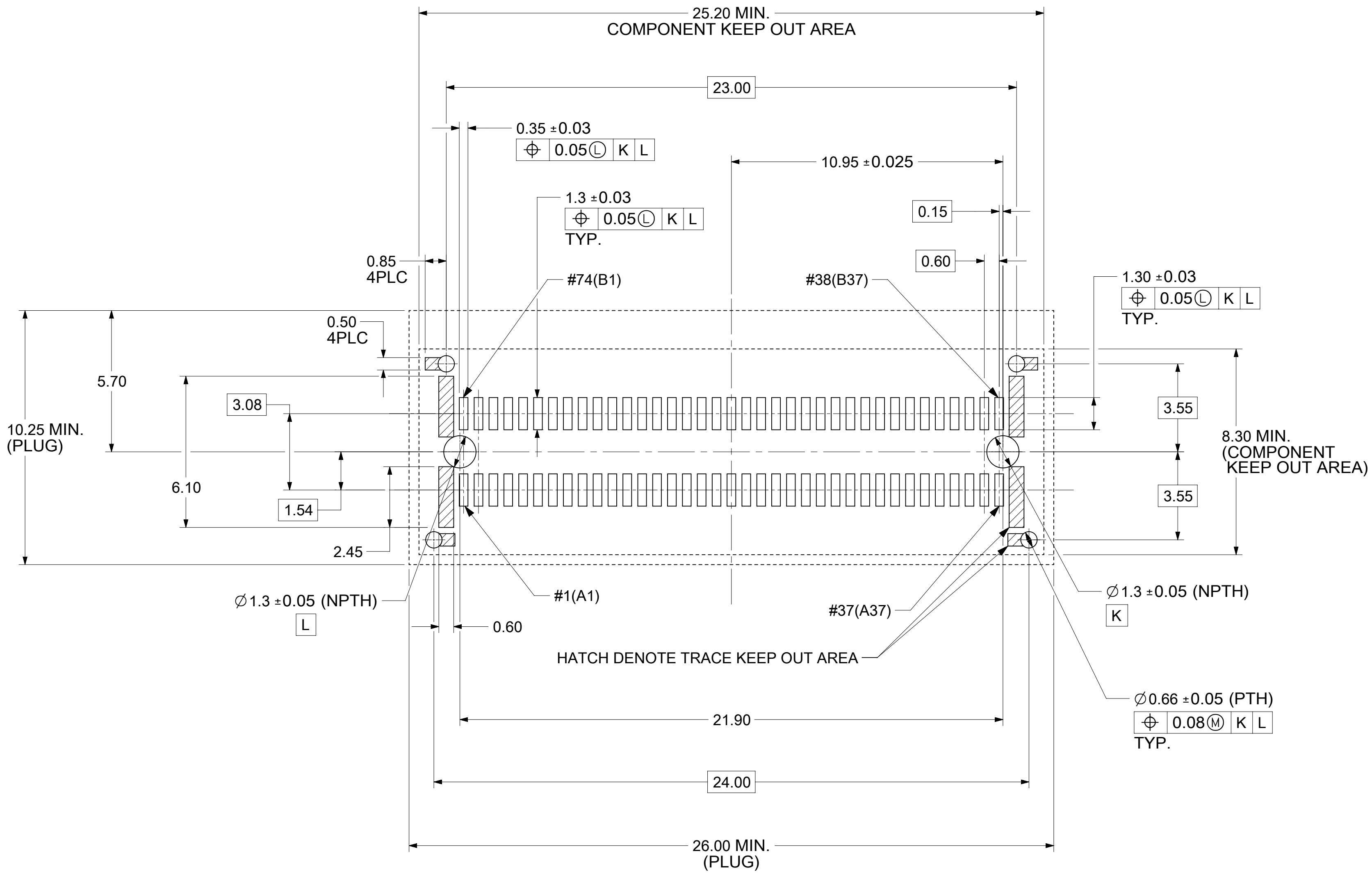


NOTE:
 1. MATERIAL:
 HOUSING : LCP, 30% GLASS FIBER, UL94-V0,
 BLACK OR NATURAL COLOR
 INSERT MOLD: LCP, 30% GLASS FIBER, UL94-V0,
 BLACK COLOR
 CONTACT: COPPER ALLOY
 GROUND: COPPER ALLOY
 SHELL: NICKEL SILVER
 2. FINISH:
 CONTACT:
 GOLD PLATING (SEE TABLE) ON CONTACT AREA
 100u" MIN. MATTE TIN PLATING ON SOLDER TAIL
 50u" MIN. NICKEL UNDER PLATING OVERALL
 GROUND:
 50u" MIN. NICKEL PLATING OVERALL
 3. SOLDER TAILS COPLANARITY TO BE 0.1 MAXIMUM
 4. ROHS COMPLIANT



NATURAL	0.375um[15u"]	4.2	2119661018
		3.0	2119661017
		2.2	2119661016
	0.75um[30u"]	4.2	2119661014
		3.0	2119661013
		2.2	2119661012
BLACK	0.375um[15u"]	4.2	2119661008
		3.0	2119661007
		2.2	2119661006
	0.75um[30u"]	4.2	2119661004
		3.0	2119661003
		2.2	2119661002
HSG COLOR	GOLD PLATING	DIM. L	PART NUMBER

FUNCTIONAL SYMBOLS	THIS DRAWING CONTAINS INFORMATION THAT IS PROPRIETARY TO MOLEX ELECTRONIC TECHNOLOGIES, LLC AND SHOULD NOT BE USED WITHOUT WRITTEN PERMISSION		
DIMENSION UNITS	mm	SCALE	5:1
GENERAL TOLERANCES (UNLESS SPECIFIED)	CURRENT REV DESC:		
ANGULAR TOL ± °	EC NO: 690306		
4 PLACES ±	DRWN: ETSENG 2021/12/27		
3 PLACES ±	CHK'D: ETSENG 2021/12/30		
2 PLACES ± 0.15	APPR: VPENG01 2021/12/30		
1 PLACE ± 0.2	INITIAL REVISION:		
0 PLACES ±	DRWN: SHOU 2019/03/07		
	APPR: ETSENG 2020/02/05		
DRAFT WHERE APPLICABLE MUST REMAIN WITHIN DIMENSIONS	THIRD ANGLE PROJECTION	DRAWING	SERIES
		C-SIZE	211966
DOCUMENT STATUS	P1	RELEASE DATE	2021/12/30 10:26:02
DOCUMENT NUMBER		DOC TYPE	DOC PART
2119661001		PSD	000
MATERIAL NUMBER		CUSTOMER	REVISION
SEE TABLE			C
SHEET NUMBER			1 OF 2



RECOMMENDED PCB LAYOUT
TOLERANCE: ±0.05

FUNCTIONAL SYMBOLS	THIS DRAWING CONTAINS INFORMATION THAT IS PROPRIETARY TO MOLEX ELECTRONIC TECHNOLOGIES, LLC AND SHOULD NOT BE USED WITHOUT WRITTEN PERMISSION		CURRENT REV DESC:		molex
	DIMENSION UNITS	SCALE			
$\frac{F}{A} = 0$	mm	10:1			SLIMSAS 8X VERTICAL RECEPTACLE CONNECTOR, 85OHM
$\frac{F}{C} = 0$	GENERAL TOLERANCES (UNLESS SPECIFIED)				
$\frac{F}{P} = 0$	ANGULAR TOL ± °				PRODUCT CUSTOMER DRAWING
DIVISIONAL SYMBOLS	4 PLACES ±		EC NO: 690306		
	3 PLACES ±		DRWN: ETSENG 2021/12/27		
	2 PLACES ± 0.15		CHK'D: ETSENG 2021/12/30		
	1 PLACE ± 0.2		APPR: VPENG01 2021/12/30		
	0 PLACES ±		INITIAL REVISION:		
	DRAFT WHERE APPLICABLE MUST REMAIN WITHIN DIMENSIONS		DRWN: SHOU 2019/03/07		
	THIRD ANGLE PROJECTION		APPR: ETSENG 2020/02/05		
	DRAWING		SERIES		DOCUMENT NUMBER
	C-SIZE		211966		2119661001
					DOC TYPE
					PSD
					DOC PART
					000
					REVISION
					C
					MATERIAL NUMBER
					SEE TABLE
					CUSTOMER
					SHEET NUMBER
					2 OF 2