

Lighting Controls

Preset Slide Dimmer

DATE:	LOCATION:
TYPE:	PROJECT:
CATALOG #:	

FEATURES

- Compatible with 0–10V LED drivers and fluorescent and HID ballasts
- No power pack required for controlling 0–10V drivers or ballasts
- Linear slider for superior quality and dimming performance
- Separate ON/OFF switch and dim slider to preserve preset light level
- Can be used in single-pole or 3-way applications
- Compatible with decorator-style wall plates
- Fits easily into a standard wallbox and is suitable for multi-gang installations
- Trim adjustment for fine tuning



SPECIFICATIONS

ELECTRICAL

- Standard ON/OFF
- Frequency: 60Hz
- Voltage: 120/277VAC
- Load Rating: 10A @120VAC, 5A @277VAC
- Load Type: 0-10V (120/277V), 0–10V Fluorescent (120V), 0–10V Fluorescent (277V)
- Switch Type: Single-Pole & 3-Way
- 0–10V Control

MOUNTING

- Single-gang NEMA-style switch box (standard wall switch box)
- Decorator-style wall plate sold separately

COLOR

- Available in White, Ivory, and Light Almond

CERTIFICATIONS

- cULus, UL 1472, Title 24, NEMA SSL 7A

WARRANTY

- 1 year warranty

OPERATING ENVIRONMENT

- Operating Temperature: 0°C to 40°C (32°F to 104°F)

ORDERING GUIDE

Example: PSD0108–UNV–WH

CATALOG #

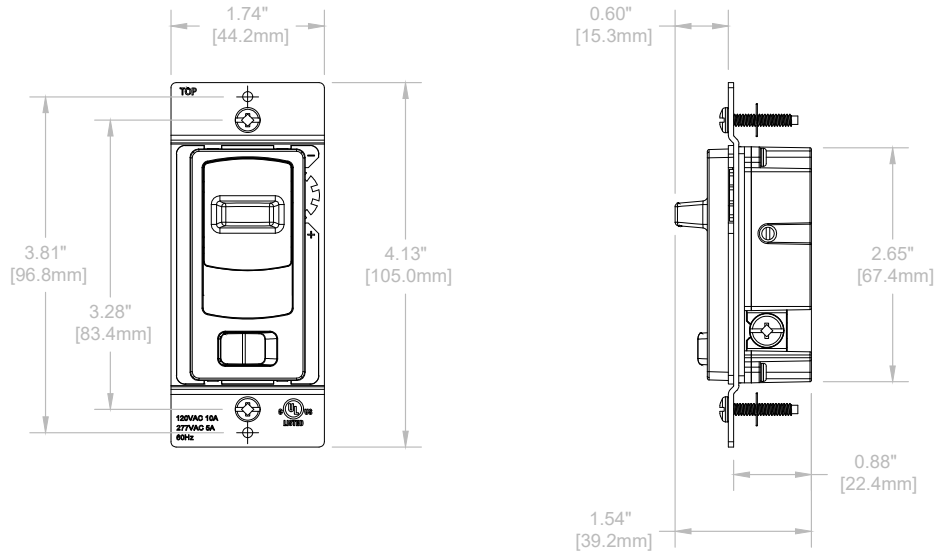
Model	Color
PSD0108-UNV Preset Slide Dimmer for 0–10V LED drivers and fluorescent and HID ballasts, Single Pole or 3-Way, 10A@120VAC, 5A@277VAC	WH White IV Ivory LA Light Almond

Lighting Controls

Preset Slide Dimmer

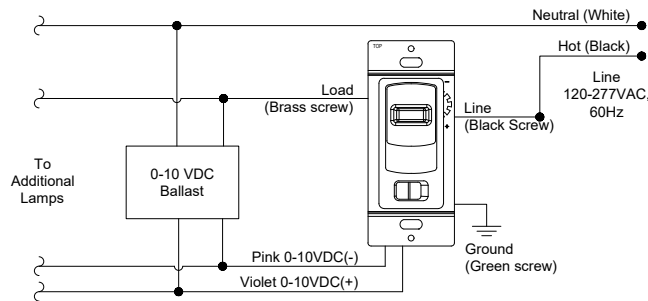
DATE:	LOCATION:
TYPE:	PROJECT:
CATALOG #:	

DIMENSIONS

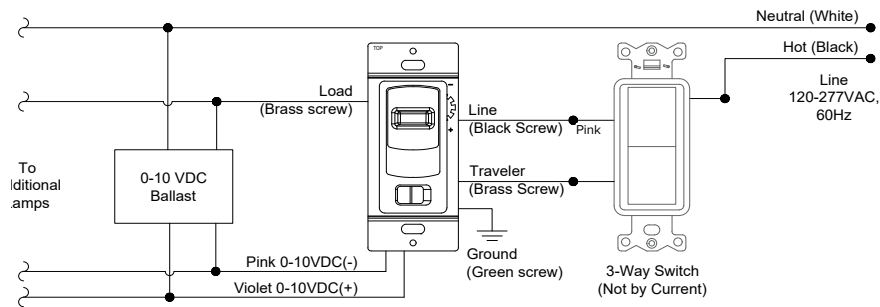


WIRING DIAGRAMS

SINGLE LOCATION CONTROL



TWO LOCATION CONTROL



Pink wire replaces previous gray wire. Units with a gray instead of pink wire should be wired as the pink wire shown in the diagram.