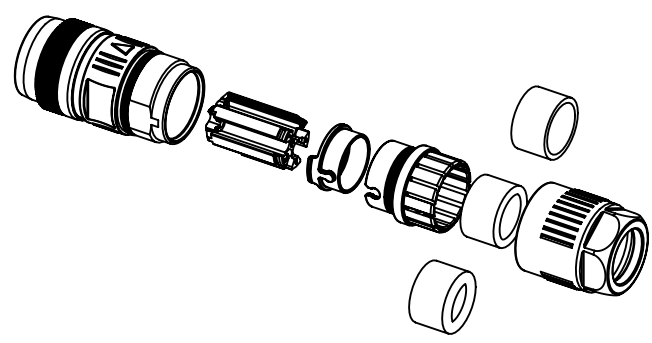


order contacts separately

cable Ø	wire gauge	part number	
		4 x female contact	1 x male contact (PE)
6.6 - 11.6mm	2.5mm ² / AWG14	21 01 100 9940	21 01 100 9938
	1.5mm ² / AWG16	21 01 100 9939	21 01 100 9937
	0.75mm ² / AWG19	21 01 100 9965	21 01 100 9963
	0.5mm ² / AWG20	21 01 100 9964	21 01 100 9962



	All rights reserved		Created by HASSE		Inspected by FRIESENH		Standardisation		Date 2021-10-27		State Final Release	
	Department EL PD		Title M12-PP-CC-CRIMP-5P-KCOD-F-STR-SHLD		Doc-Key / ECM-Nr. 100792918/UGD/001/B 500000204.787		Type TB		Number 21038962525		Rev. B	
All Dimensions in mm Original Size DIN A4			Scale 1:1		Free size tol.		Ref.		Sub.		Page 1/1	
HARTING D-32339 Espelkamp												