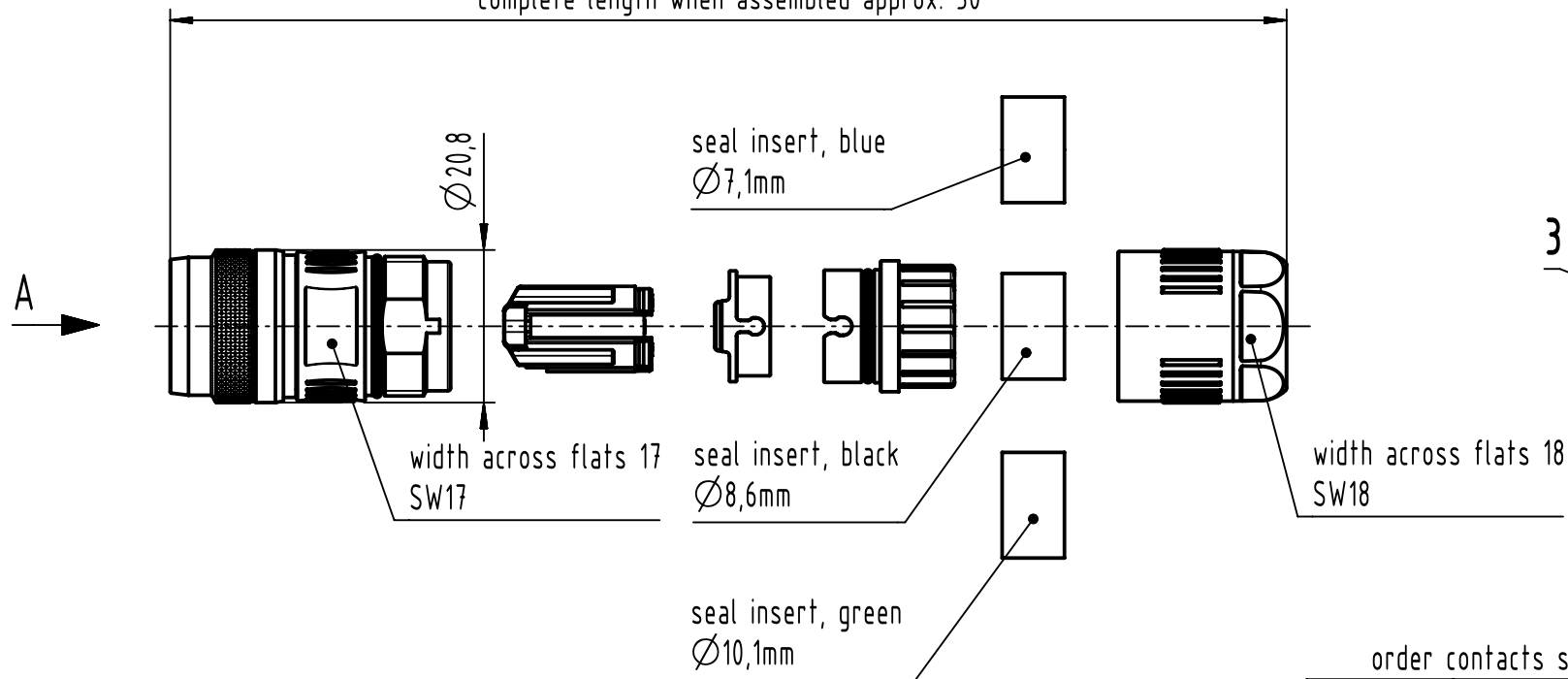


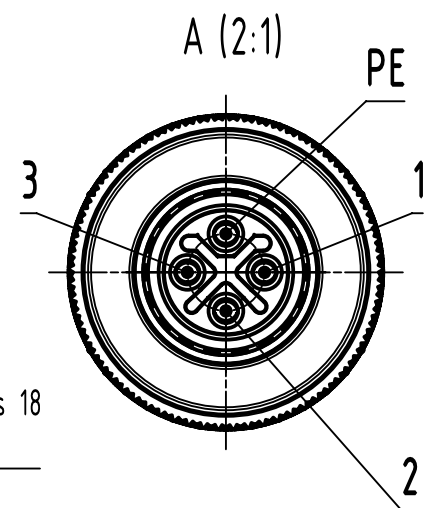
1 2 3 4 5 6

A
B
C
D

complete length when assembled approx. 50

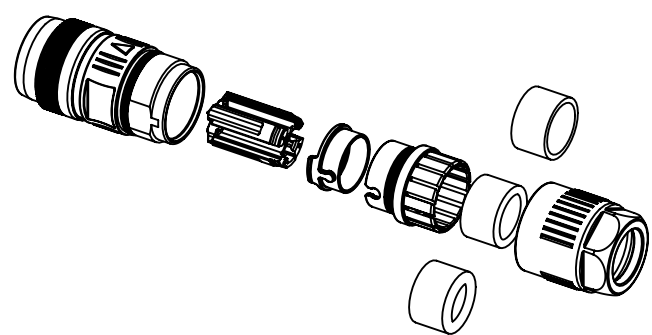


contact face
acc. to IEC 61076-2-111



order contacts separately

5,1-10,1 mm	2,5mm ² / AWG14	21 01 100 9940
	1,5mm ² / AWG16	21 01 100 9939
	0,75mm ² / AWG19	21 01 100 9965
	0,5mm ² / AWG20	21 01 100 9964
cable Ø	wire gauge	4 x female contact
		part number



	All Dimensions in mm Original Size DIN A4	Scale 1:1	Free size tol.		Ref.
	All rights reserved Department EL PD	Created by SERBANA	Inspected by MICLAUS	Standardisation ROEBEN	Date 2022-02-15
HARTING D-32339 Espelkamp		Title M12-P-PP-CC-CRIMP-4P-S COD-F-STR-SHLD			State Final Release
		Type TB	Number 21038962425		Doc-Key / ECM-Nr. 100793125/UGD/001/D 500000211668
					Rev. D Page 1/1