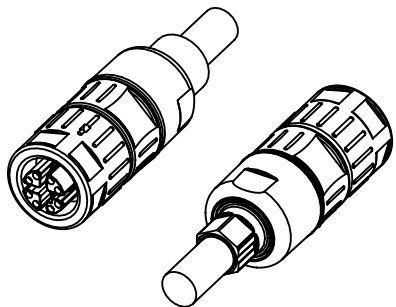


order contacts separately

Cable description	Cable diameter	Wire gauge	P/N contact	P/N Crimping insert	P/N Crimping Tool	P/N Mounting tool
BETATRANS DATA C-FLEX Cat.7 4x2 AWG 24/7 Leoni: 307704	8,1mm	AWG 28-24	21 01 100 9023	0999 000 0655	0999 000 0647	0999 000 0639
Ha-VIS EtherRail® CAT 7 LSZH 4x2xAWG24/7 HARTING: 094560001020901		AWG 26-23	21 01 100 9021			



All Dimensions in mm
Original Size DIN A4

Scale
1:1

Free size tol.

Ref.

Sub.



All rights reserved

Created by
BALSAN

Inspected by
FARCASIU

Standardisation
302077

Date
2020-10-20

State
Final Release

HARTING Electronics GmbH
D-32339 Espelkamp

Title
M12 SD X-cod 8-pol Crimp Flange female

Doc-Key / ECM-Nr.
100807884 / UGD/000/D
500000179758

Type
TB

Number
21038812821

Rev.
D

Page
1/1