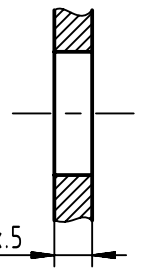
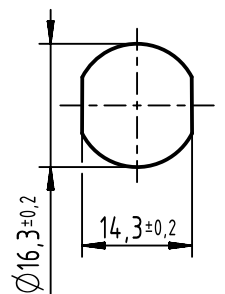


panel thickness

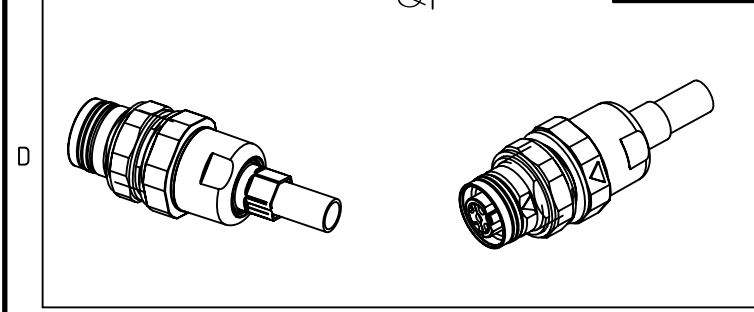


Panel cut out (1:1)



order contacts separately

Cable description	Cable diameter	Wire gauge	P/N contact	P/N Crimping insert	P/N Crimping Tool	P/N Mounting tool
RSCC TD-010301 2PR 24 AWG 7/32 Cat 5e 100 Ohms Stranded	6,0mm	AWG 26-22 AWG 24-20	09 67 000 5476 09 67 000 8476	0999 000 0648	0999 000 0647	0999 000 0639



	All rights reserved Department EL PD	All Dimensions in mm Original Size DIN A4	Scale 1:1	Free size tol.	Ref. Sub.
	HARTING D-32339 Espelkamp	Created by BALSAN	Inspected by FARCASIU	Standardisation ROEBEN	Date 2021-09-13
Title M12 PFT SD D-cod 4-pol Crimp Flange female					Doc-Key / ECM-Nr. 100804376/UGD/001/E 500000202436
Type TB				Number 21038812443	
Rev. E					Page 1/1