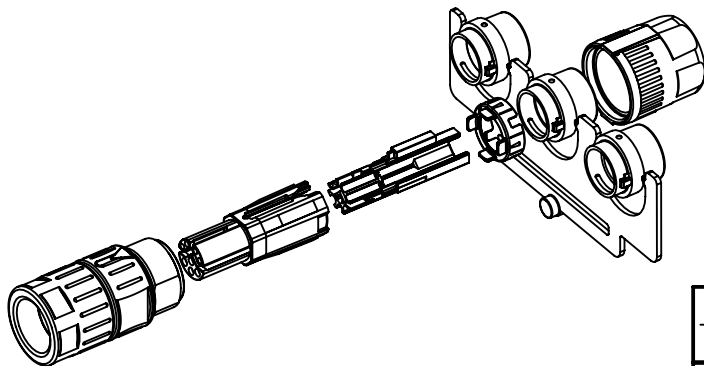


- order contacts separately

cable $\varnothing$	contact type	wire gauge	P/N contact
5,7-8,8mm	signal	AWG 28-24	21 01 100 9023
		AWG 26-23	21 01 100 9021
	power	AWG 22-18	21 01 100 9983
		AWG 26-23	21 01 100 9984



	All rights reserved Department EL PD	All Dimensions in mm Original Size DIN A4		Scale 1:1	Free size tol.	Ref. Sub.
		HARTING D-32339 Espelkamp	Created by HASSE	Inspected by HAEMMERLING	Standardisation 302077	Date 2021-01-22
Title M12-SD-CC-CRIMP-8P-YCOD-F-STR-SHLD						Doc-Key / ECM-Nr. 100802898/UGD/000/B 500000187662
Type TB				Number 21038612805		Rev. B
						Page 1/1