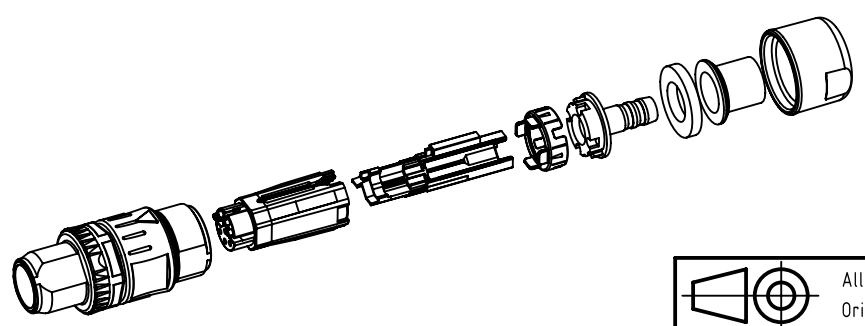


contact type	wire gauge	P/N contact
signal	AWG 28-24	21 01 100 9014
	AWG 26-23	21 01 100 9019
power	AWG 26-23	21 01 100 9982

- order contacts separately

cable description	cable Ø	P/N crimping insert	P/N crimping tool	P/N mounting tool
HEW 3HAA2485-1	7,0mm	09 99 000 0650	09 99 000 0647	09 99 000 0639



	All Dimensions in mm Original Size DIN A4		Scale 1:1	Free size tol.	Ref.	
	All rights reserved Department EL PD		Created by HASSE	Inspected by HAEMMERLING	Standardisation 302077	Sub.
HARTING D-32339 Espelkamp		Title M12-SD-CC-CRIMP-8P-YCOD-M-STR-CF			Date 2021-01-22	State Final Release
		Type TB	Number 21038611814		Doc-Key / ECM-Nr. 100839533/UGD/000/B 500000187662	Rev. B
					Page 1/1	