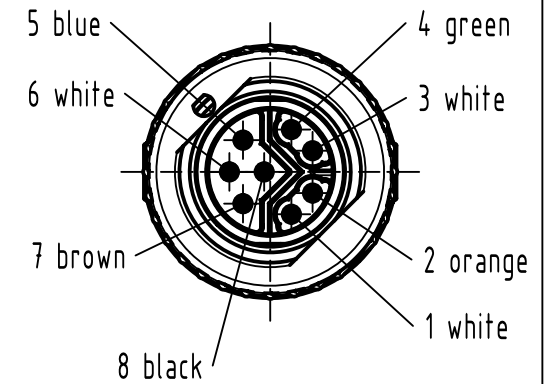


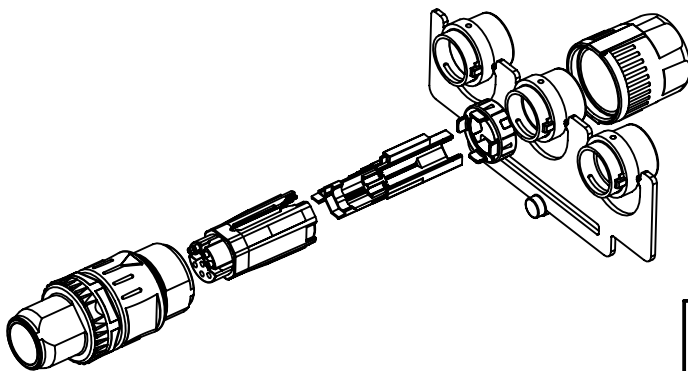
contact face
acc. to IEC 61076-2-113

A (2:1)



- order contacts separately

cable \varnothing	contact type	wire gauge	P/N contact
5,7-8,8mm	signal	AWG 28-24	21 01 100 9014
		AWG 26-23	21 01 100 9019
	power	AWG 22-18	21 01 100 9981
		AWG 26-23	21 01 100 9982



	All rights reserved Department EL PD	All Dimensions in mm Original Size DIN A4		Scale 1:1	Free size tol.	Ref. Sub.	
		Created by HASSE	Inspected by HAEMMERLING	Standardisation 302077	Date 2021-03-17	State Final Release	
HARTING D-32339 Espelkamp		Title M12-SD-CC-CRIMP-8P-YCOD-M-STR-SHLD				Doc-Key / ECM-Nr. 100800338/UGD/000/B 500000191275	
		Type TB	Number 21038611805			Rev. B	Page 1/1