

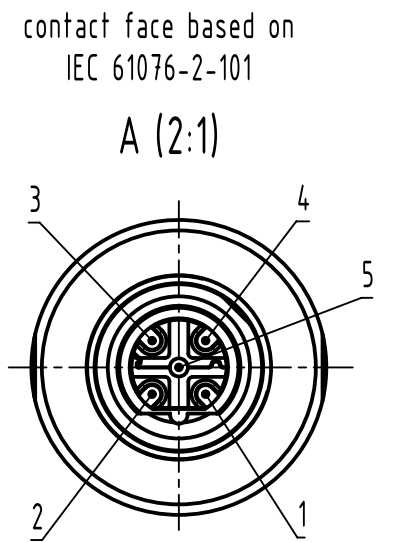
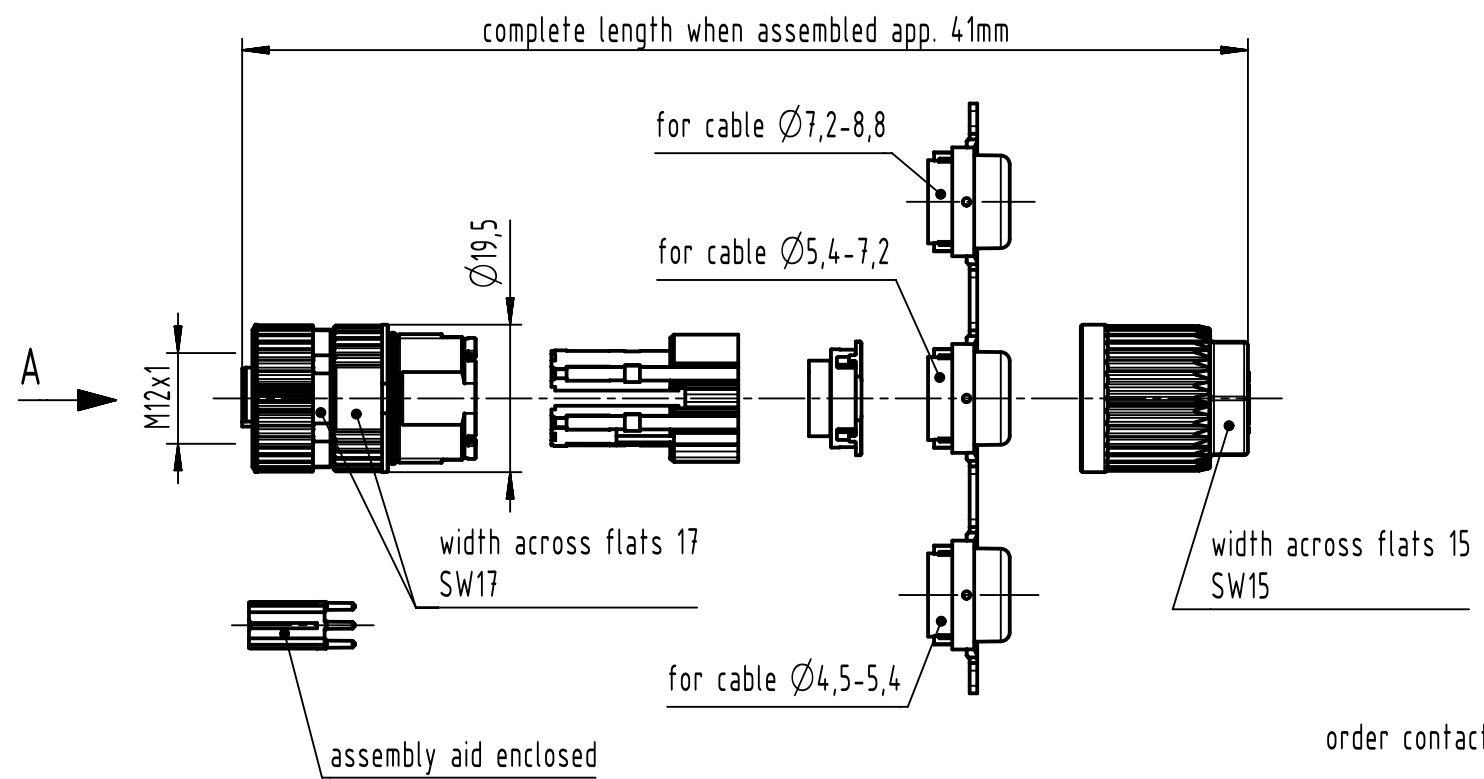
1 2 3 4 5 6

A

B

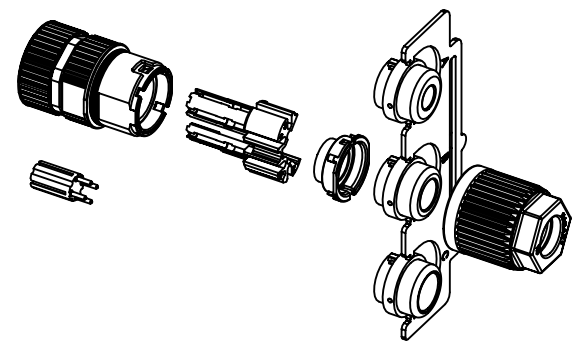
C

D



order contacts separately

cable Ø	wire gauge	part no.
4.5 - 8.8mm	AWG 26-22	09670005476
	AWG 24-20	09670008476
	AWG 22-18	09670003476



	All Dimensions in mm Original Size DIN A4	Scale 1:1	Free size tol.		Ref.
	All rights reserved Department EL PD	Created by HASSE	Inspected by 104.122	Standardisation	Sub.
HARTING D-32339 Espelkamp	Title M12-L-CC-CRIMP-5P-BCOD-F-STR-SHLD			Date 2021-12-15	State Final Release
	Type TB			Number 21038412505	Doc-Key / ECM-Nr. 100229243/UGD/002/J 500000207119