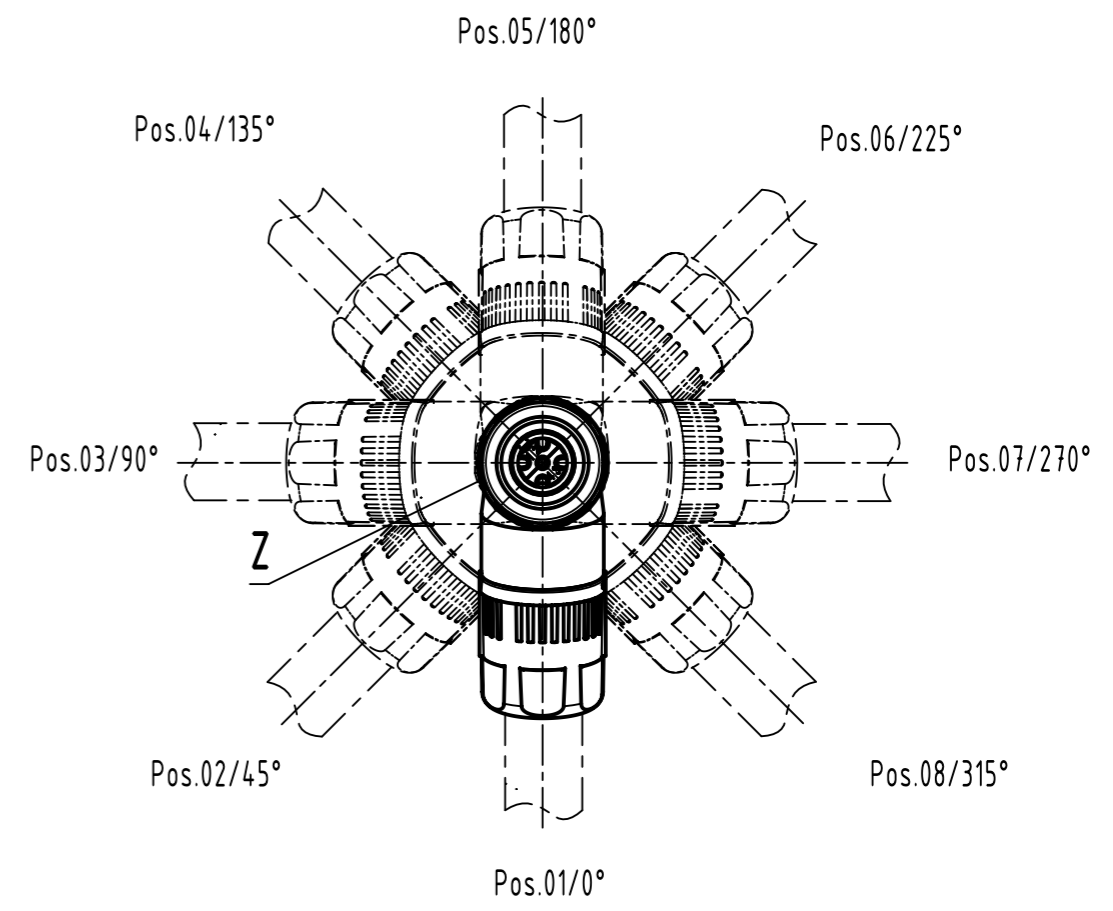
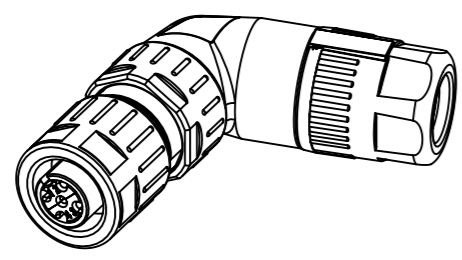
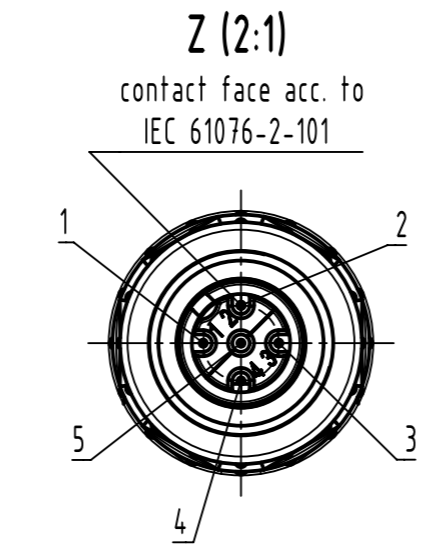


assembly aid enclosed



order contacts separately

cable Ø	wire gauge	contact part-no.
5,7-8,8mm	AWG 26-22	09 67 000 5476
	AWG 24-20	09 67 000 8476
	AWG 22-18	09 67 000 3476

	All rights reserved	Created by 406403	Inspected by FARCASIU	Standardisation ROEBEN	Date 2022-11-21	State Final Release
	Department EL PD	Title M12-SD-CC-CRIMP-5P-ACOD-F-ANG-SHLD				Doc-Key / ECM-Nr. 100591009/UGD/002/K 500000226139
HARTING D-32339 Espelkamp	Type TB	Number 21038214505		Rev. K	Page 1/1	