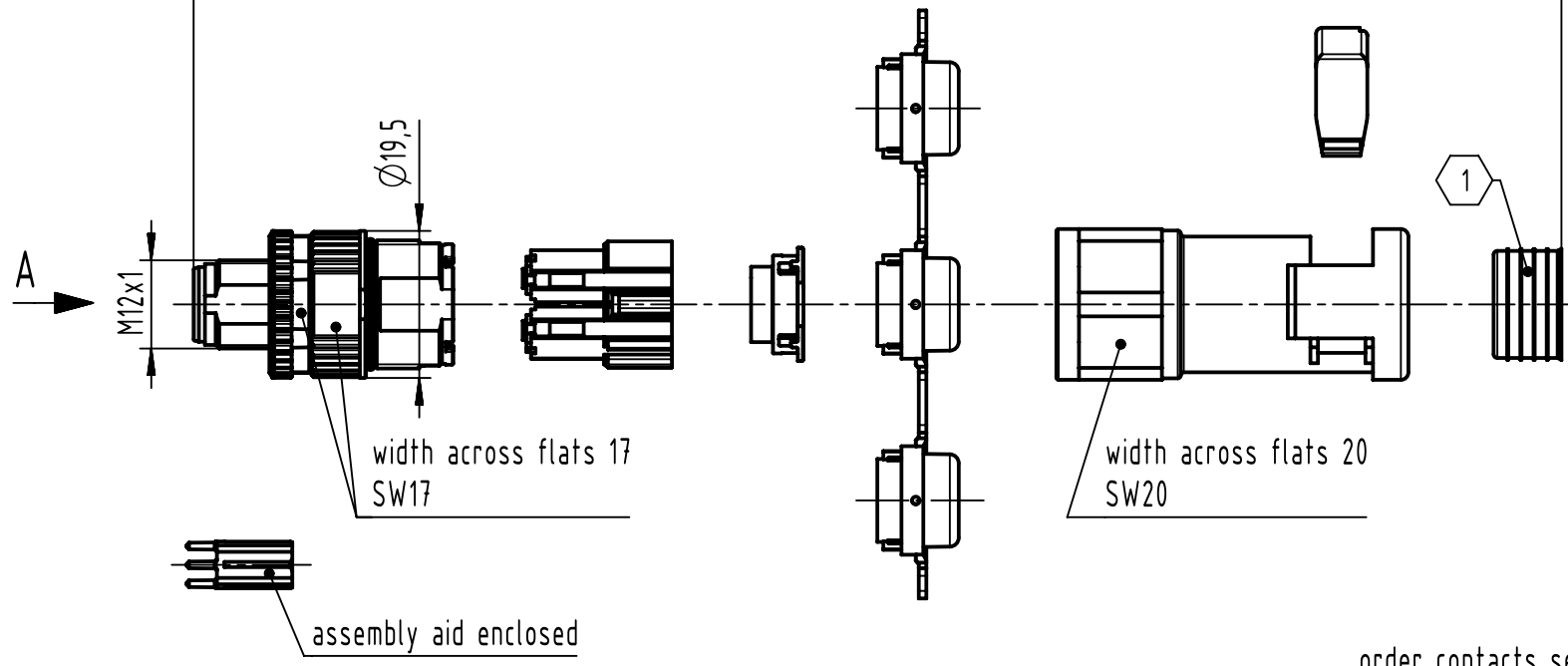
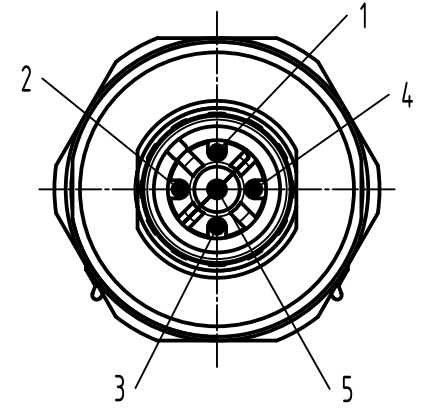


complete length when assembled app. 70mm



contact face based on
IEC 61076-2-101

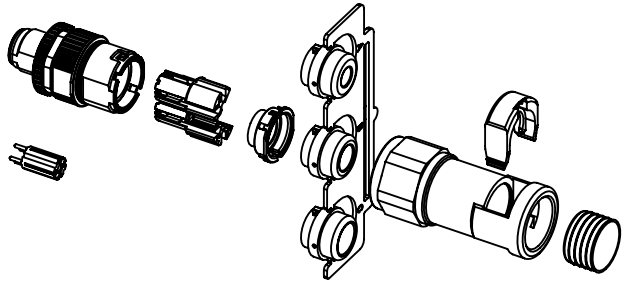
A (2:1)



order contacts separately

cable \varnothing	wire gauge	part no.
4.5 - 8.8mm	AWG 26-22	09670005576
	AWG 24-20	09670008576
	AWG 22-18	09670003576

1 suitable for conduit with NW 10mm



	All Dimensions in mm Original Size DIN A4	Scale 1:1	Free size tol.	Ref. Sub.
	All rights reserved Department EL PD	Created by BUSSMANN	Inspected by 104.122	Standardisation
HARTING D-32339 Espelkamp	Title M12-L-CC-CRIMP-5P-ACOD-M-STR-SHLD			Date 2022-09-07
			State Final Release	Doc-Key / ECM-Nr. 100594106/UGD/004/H 500000224613
		Type TB	Number 21038121511	Rev. H
				Page 1/1