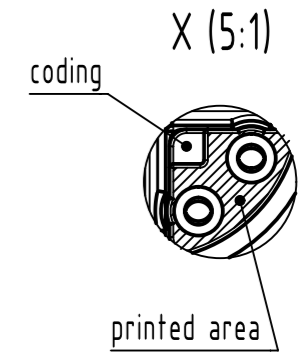
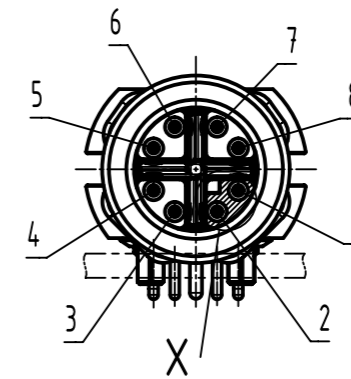
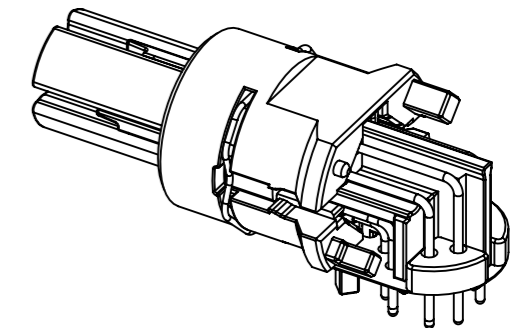
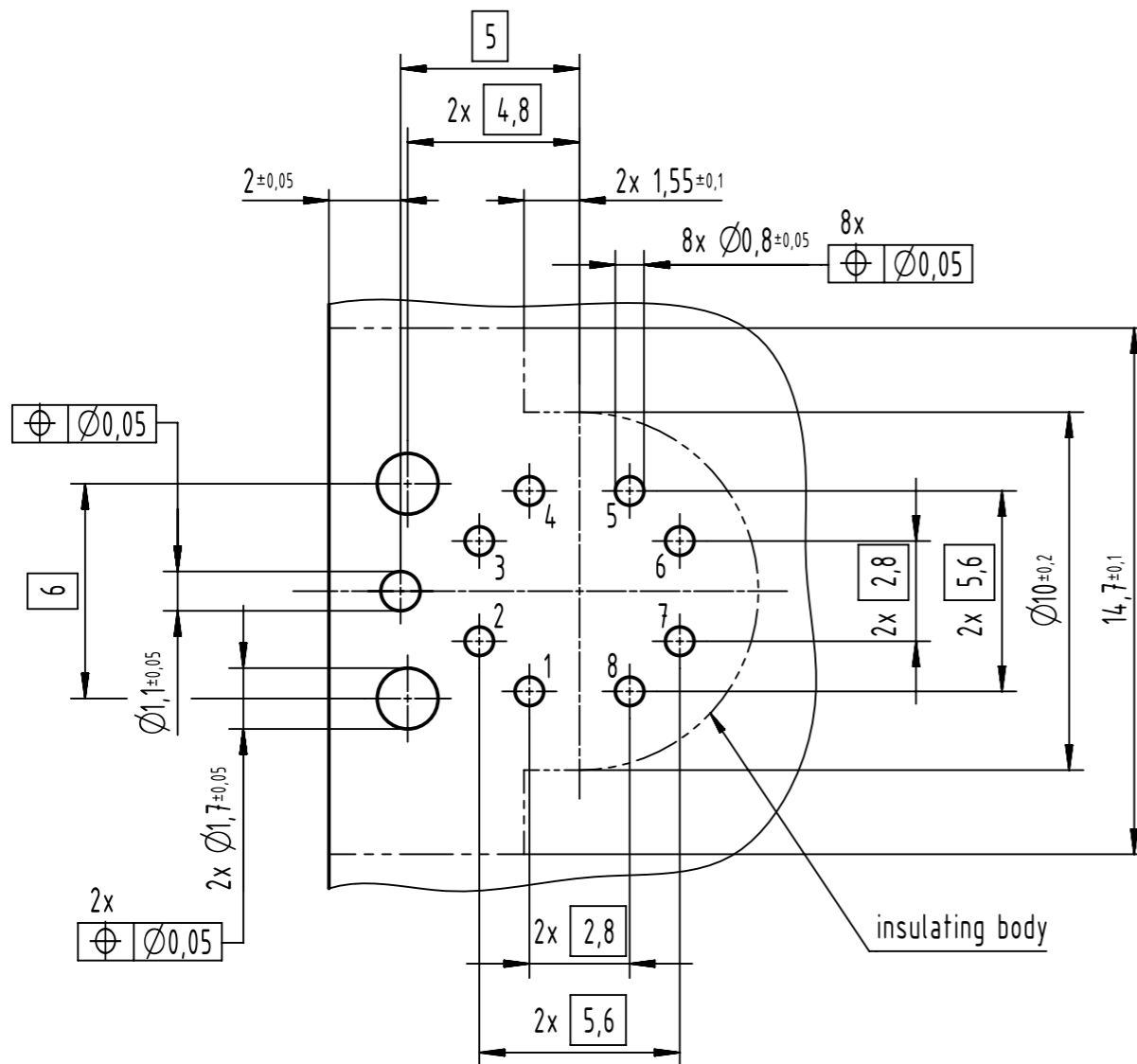


contact face acc. to IEC 61076-2-109



recommended PCB-layout A (5:1)



pin assignment			
difference of contact length to pin 1	pin	signal	pair
0	1	TD1+	2
-2,8	2	RD1-	2
-2,8	3	TD2+	3
0	4	RD2-	3
+5,6	5	TD4+	4
+8,4	6	RD4-	4
+8,4	7	RD3-	1
+5,6	8	TD3+	1

- 500 mating cycles acc. to DIN EN 60512-9-1
- design for reflow soldering
- 30 pcs. tray package

	All rights reserved	Scale 2:1	Free size tol.	Ref.
	Department EL PD	Created by BUSSMANN	Inspected by 104122	Sub.
HARTING D-32339 Espelkamp	Title M12-PCB-THR-1PC-8P-XCOD-F-ANG-SHLD			Doc-Key / ECM-Nr. 100227330/UGD/006/L 500000228026
	Type TB	Number 21033814806	Rev. L	Page 1/1