

wall thickness 2,1-4,5

seal compressed

8

mating face acc. to IEC 60603-7

1

contact position

contact face acc. to IEC 61076-2-109

6

7

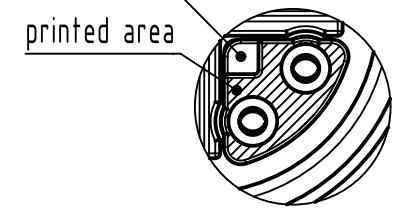
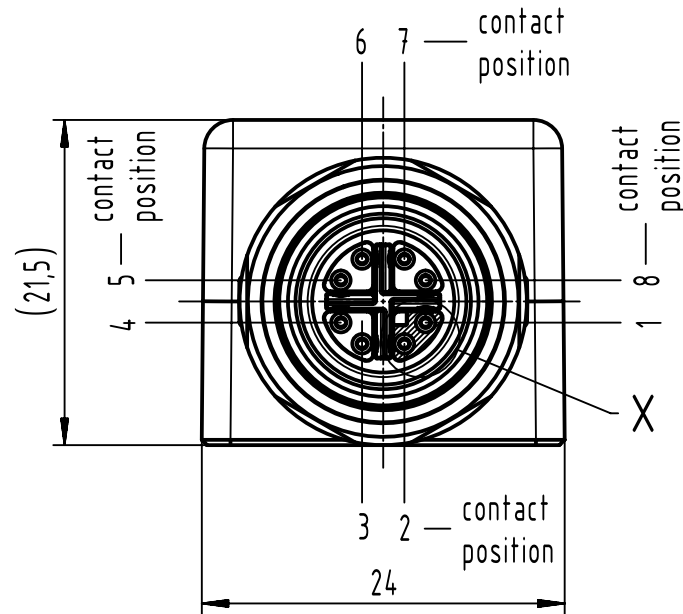
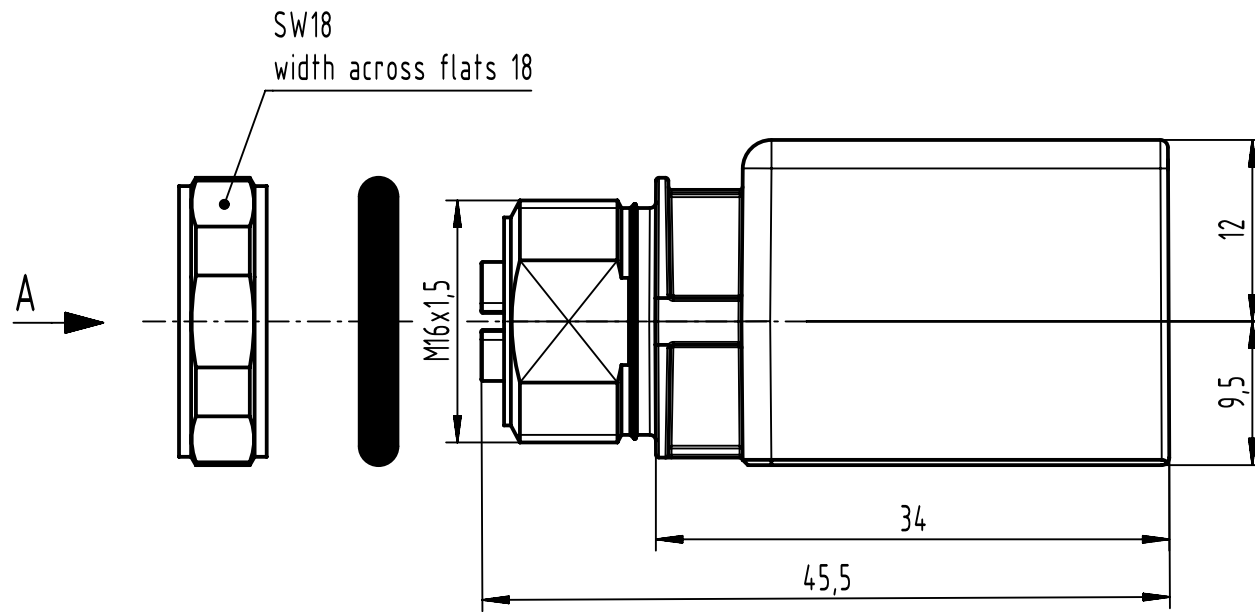
contact position

contact position
4 5

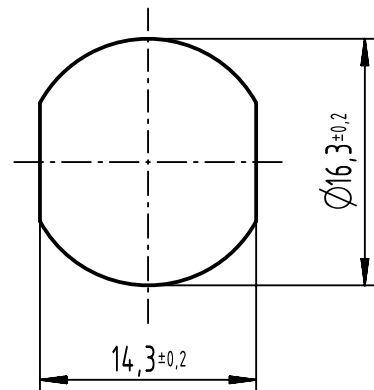
contact position
1 8

X (5:1)

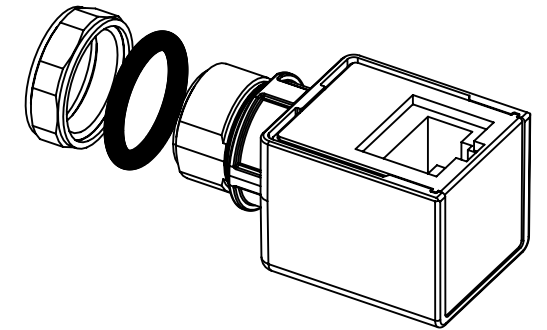
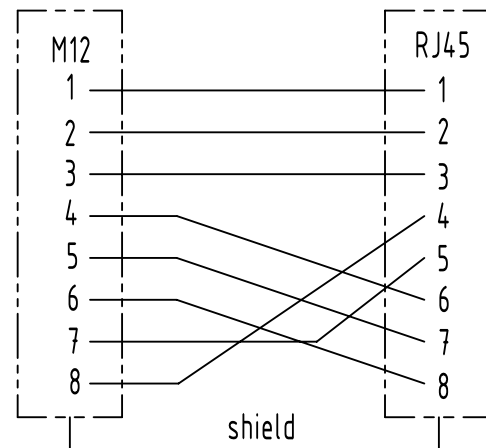
coding printed area



A panel cut-out



circuit diagram



	All rights reserved Department EL PD	All Dimensions in mm Original Size DIN A3		Scale 2:1	Free size tol.	Ref. Sub.
		Created by BUSSMANN T	Inspected by 104122	Standardisation	Date 2022-11-17	State Final Release
HARTING D-32339 Espelkamp		Title har-speed adapter M12-RJ45, angled			Doc-Key / ECM-Nr. 100230266/UGD/008/L 50000230348	
		Type TB	Number 21033814800		Rev. L	Page 1/1